

3G LIGHTING

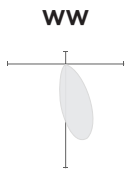
3G-PDL45RWW

4.5" WALL WASH CYLINDER
7" AND 11" HEIGHT

4.5" diameter, wall wash cylinder with upgraded performance
Delivered lumen range up to 1500lm at 95+ CRI
Regressed LED source with enhanced glare control
Proprietary wall wash optic and lens
Extruded aluminum construction with no visible hardware
Companion to 3G's DL45R series downlight family



OPTICS



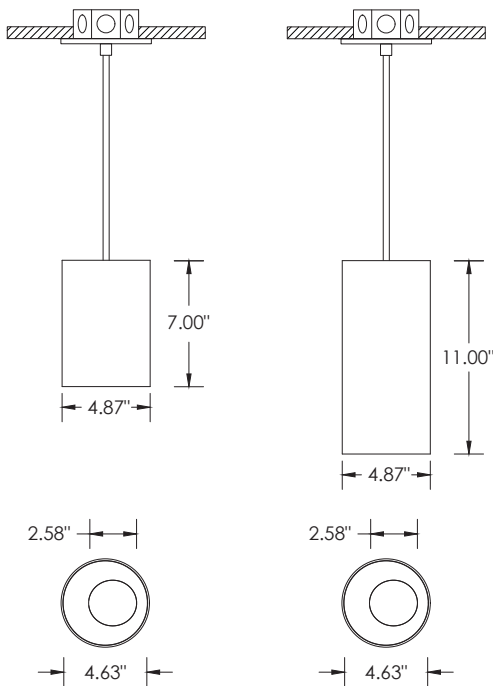
PERFORMANCE

LUMEN OUTPUT	DELIVERED LUMENS	SYSTEM WATTS	EFFICACY (LPW)
1000	1000	14.0	71
1250	1250	17.5	71
1500	1500	21.9	69

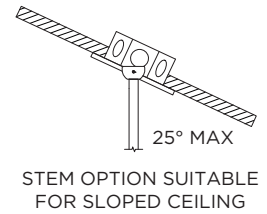
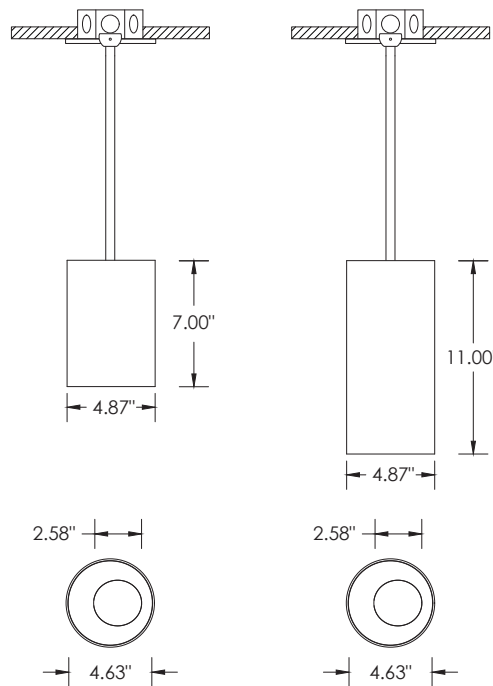
BASED ON 95+ CRI, 3500K, WITH WALL WASH OPTIC
Lumen output and actual wattage may vary +/- 5%

DIMENSIONS

CABLE SUSPENSION



STEM SUSPENSION



PROJECT:		TYPE:	
CATALOG#:		DATE:	QTY:

CAT. NO	FIXTURE HEIGHT	LUMEN OUTPUT	CRI	COLOR TEMP	BEAM ANGLE
3G-PDL45RWW	7H - 7" HEIGHT * 11H - 11" HEIGHT	10 - 1000 LUMENS 12 - 1250 LUMENS 15 - 1500 LUMENS	H95 - 95+ CRI	27K - 2700K 30K - 3000K 35K - 3500K 40K - 4000K	WW - WALL WASH
	*7H available up to 1250lm *7H not available with DMX or DHL2 Select Power Canopy option for 1500lm	All lumen outputs are delivered lumens at 95+ CRI			

VOLTAGE	DRIVER	HOUSING FINISH	INSERT FINISH	CANOPY
UNV - 120/277V 120 - 120V 347 - 347V ¹	DIM - 0-10V (100-1%) LE - PHASE DIM ² (TRIAC/ELV, 100-1%) D01 - 0-10V (100-0.1%) DALI - DALI (100-1%) ³ DMX - DMX (100-0%) ⁴ DHL2 - LUTRON HI-LUME LDE1 ⁴ (1% ECOSYSTEM)	WH - WHITE BK - BLACK SV - SILVER CF - CUSTOM COLOR	WI - WHITE BI - BLACK SI - SILVER CI - CUSTOM COLOR	CN - CANOPY (STANDARD) PC - POWER CANOPY * CF - CONDUIT CANOPY
				Power Canopy suitable for 7" Cylinder with 1500lm

CANOPY FINISH	SUSPENSION TYPE	SUSPENSION LENGTH
WCF - WHITE (STANDARD) BCF - BLACK SCF - SILVER	WC - WHITE CABLE BC - BLACK CABLE RSW - WHITE RIGID STEM RSB - BLACK RIGID STEM RSS - SILVER RIGID STEM RSC - CUSTOM RAL STEM	C60 - 60" CABLE C120 - 120" CABLE S48 - 48" STEM S96 - 96" STEM
		All suspension options are field cuttable

¹ 347 available in "DIM" 0-10V only (100-1%). Not available with 7" model
² Phase dimming options available in 120V only
³ DALI-2 (Type 6) provided as standard. Consult factory for DALI Type 8 option
⁴ DMX and DHL2 (Lutron) not available with 7H model or "PC" Power Canopy option

PERFORMANCE

LUMEN OUTPUT	DELIVERED LUMENS	SYSTEM WATTS	EFFICACY (LPW)
1000	1000	14.0	71
1250	1250	17.5	71
1500	1500	21.9	69

BASED ON 95+ CRI, 3500K, WITH WALL WASH OPTIC
Lumen output and actual wattage may vary +/- 5%

MULTIPLIERS

COLOR TEMP	
2700K	0.98
3000K	1.00
3500K	1.00
4000K	1.02

HOUSING

Extruded aluminum housing with powder coated finish
Twist and lock construction with no visible hardware

BEVELED INSERT

Cast aluminum beveled insert with matte powder coated finish
4.5" aperture with regressed LED source for enhanced glare control

OPTICS

Proprietary wall wash optic
Asymmetrical lens provides uniformity and smooth illumination across and down the wall
Regressed LED source with enhanced glare control

ELECTRICAL

Standard 0-10V, constant current drivers
100-1% dimming range and >0.9 power factor
Standard 120/277V universal voltage with several driver options
120V Forward Phase/Reverse Phase driver option (100-1%)
Integral drivers are easily accessible through luminaire aperture

LED SYSTEM

Standard 95+ CRI
Color consistency <2 SDCM
Available in 27K, 30K, 35K, and 40K
L90 > 50,000 hours

MOUNTING

1/2" diameter rigid stem option with sloped ceiling adapter (field cuttable)
Standard, 18-gauge, 5 conductor single circuit braided power feed cable (black and white finish)
All hardware included for mounting to 4" octagonal junction box
Canopy provided in white finish as standard
Conduit feed cut-out canopy option designed to mount to 4" octagonal junction box

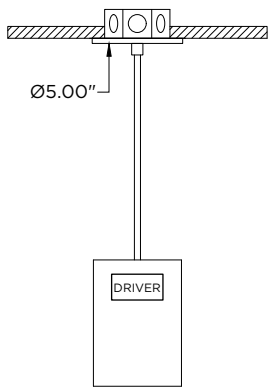
LISTING

ETL listed and conforms to UL1598 standard
Certified to CSA22.2 NO.250.0.
Rated for dry or damp locations

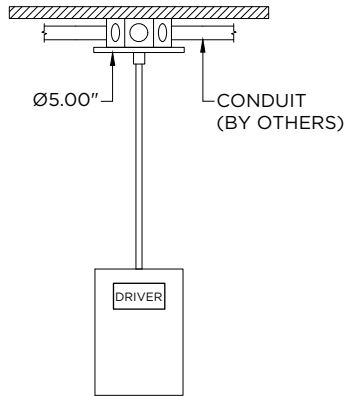
WARRANTY

5 year limited warranty
LED system rated for operation in ambient environments up to 25°C

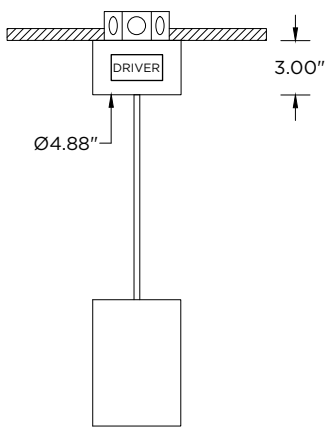
CN - STANDARD CANOPY
RECESSED J-BOX (BY OTHERS)



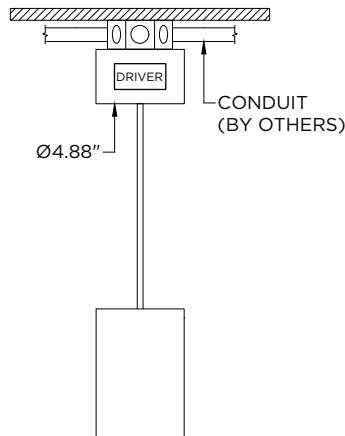
CN - STANDARD CANOPY
SURFACE MOUNT J-BOX (BY OTHERS)



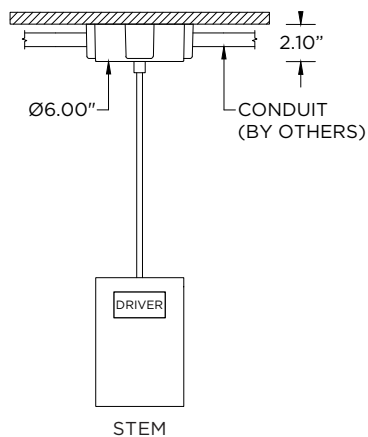
PC - POWER CANOPY
RECESSED J-BOX (BY OTHERS)



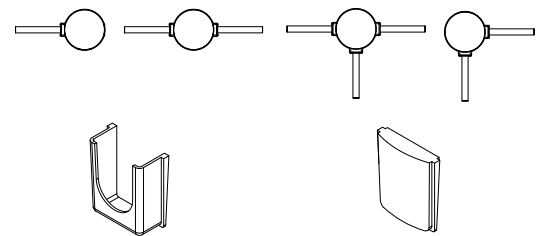
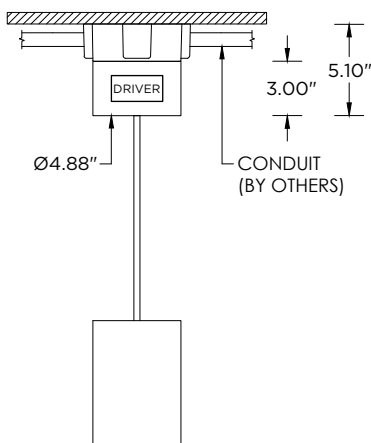
PC - POWER CANOPY
SURFACE MOUNT J-BOX (BY OTHERS)



CF - CONDUIT FEED CANOPY
SURFACE MOUNT J-BOX (BY OTHERS)



CF - CONDUIT FEED CANOPY & PC - POWER CANOPY
SURFACE MOUNT J-BOX (BY OTHERS)



CONDUIT COVER
3 PROVIDED WITH EACH
CONDUIT FEED CANOPY

BLANK
2 PROVIDED WITH EACH
CONDUIT FEED CANOPY