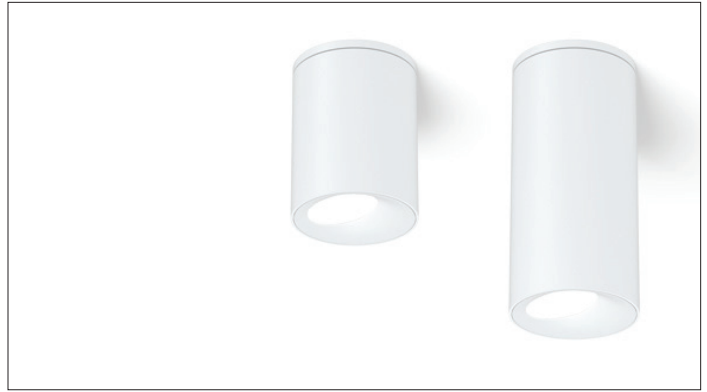


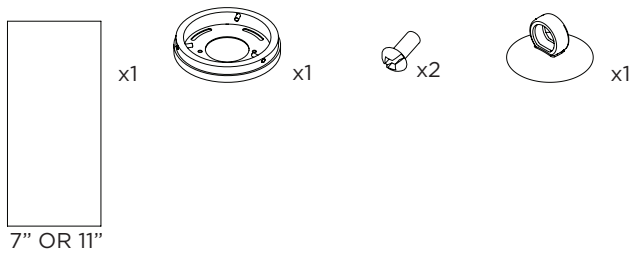
## 4.5" WALLWASH CYLINDER

SURFACE MOUNT

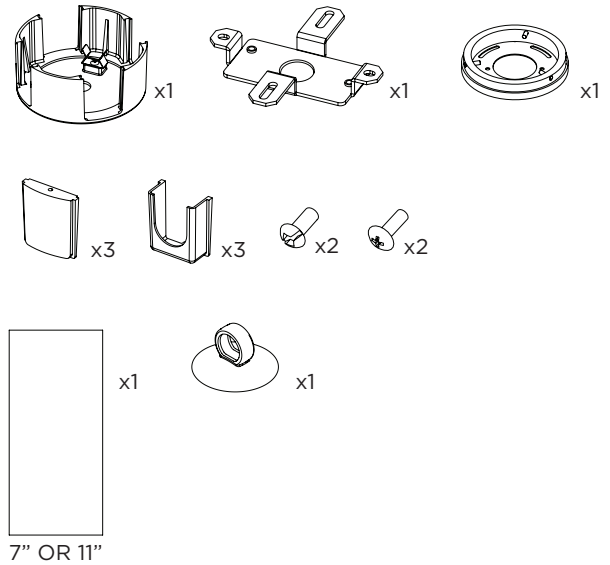


### COMPONENTS

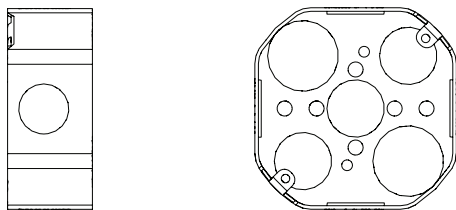
#### STANDARD CANOPY



#### CONDUIT FEED CANOPY



#### 4" OCTAGONAL J-BOX REQUIRED FOR INSTALLATION



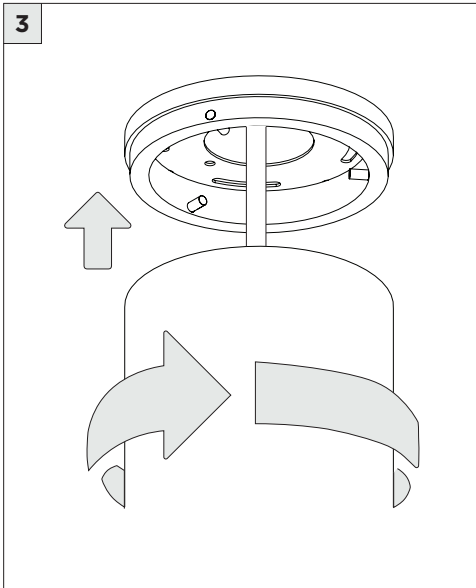
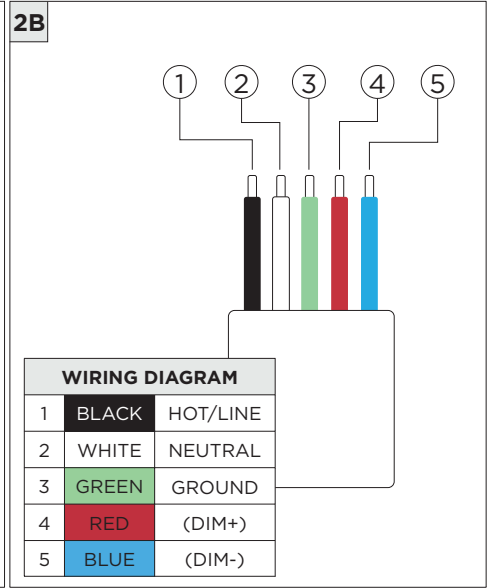
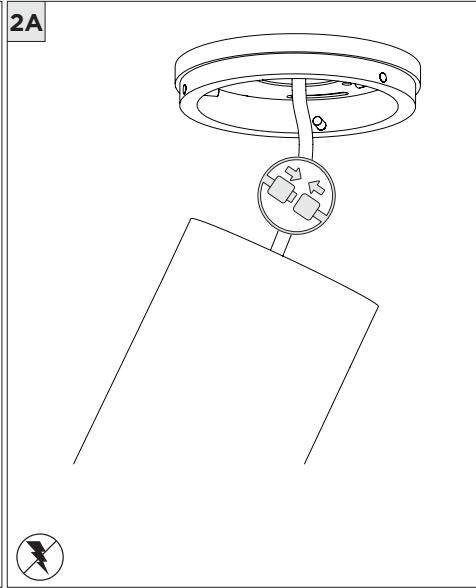
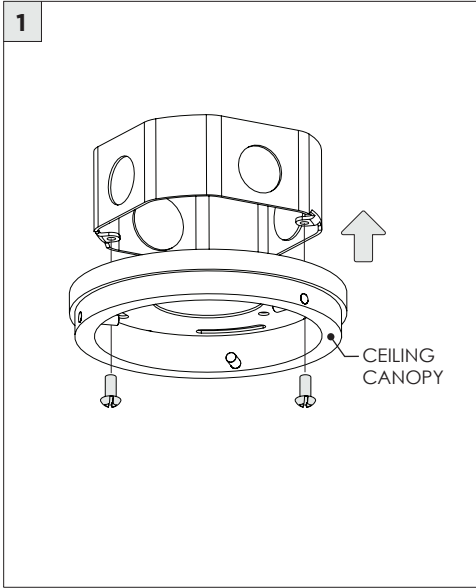
JUNCTION BOX (BY OTHERS)

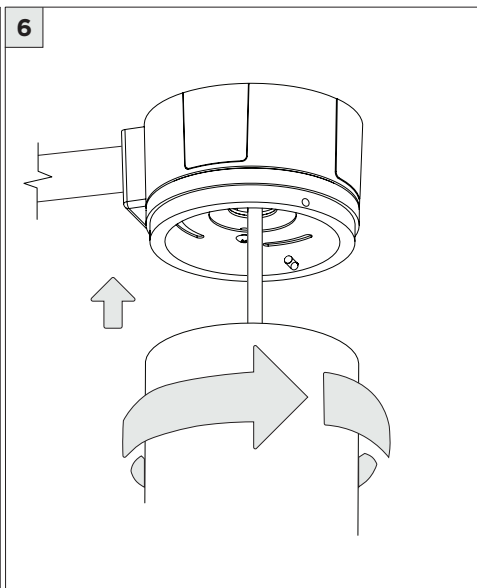
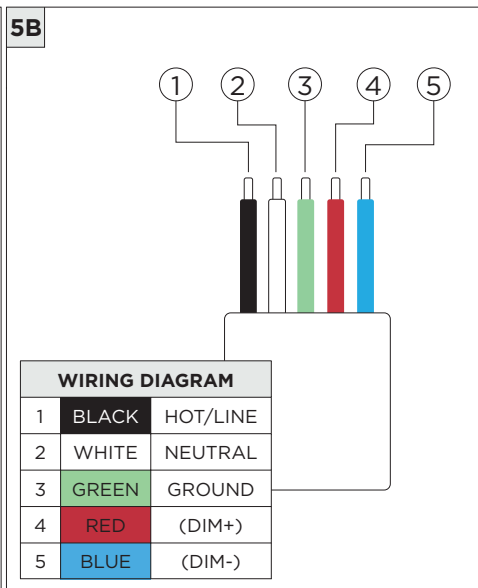
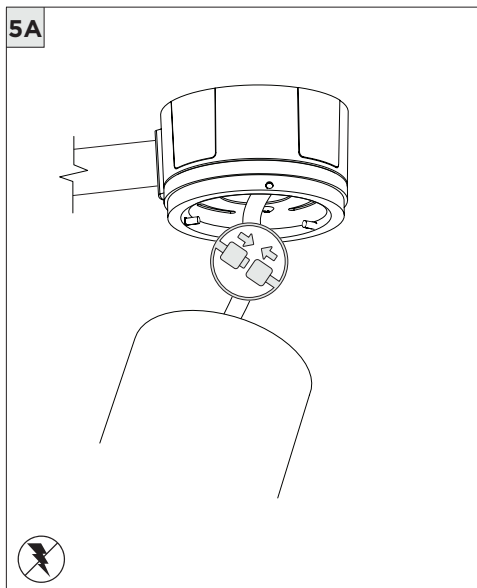
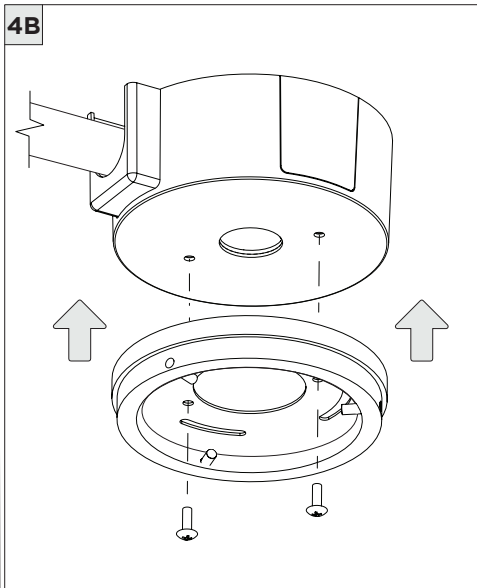
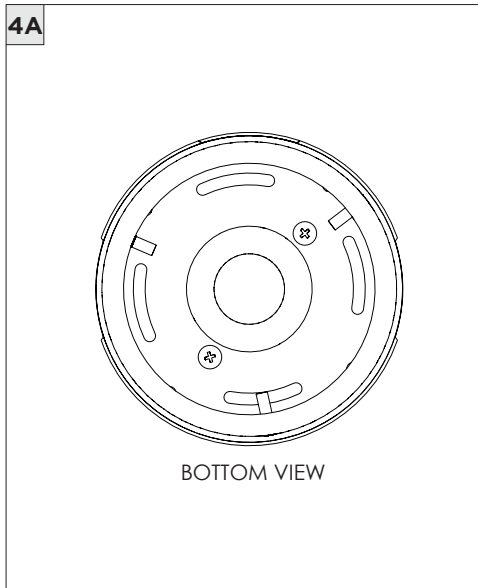
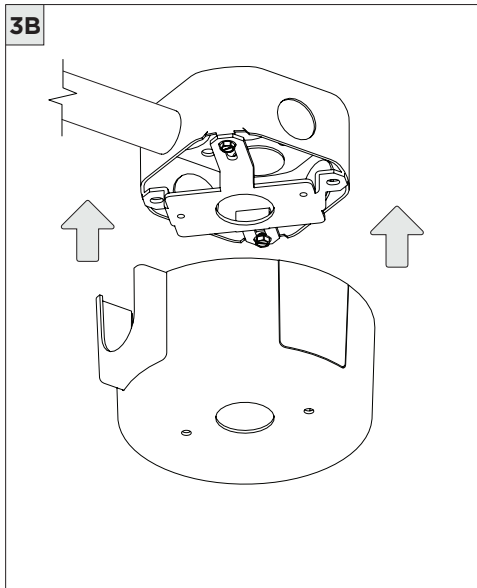
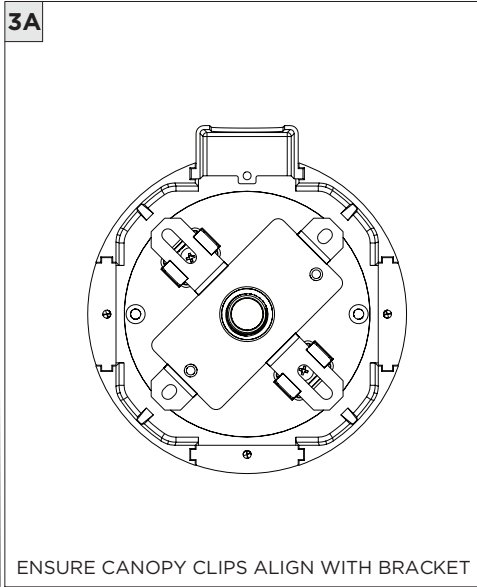
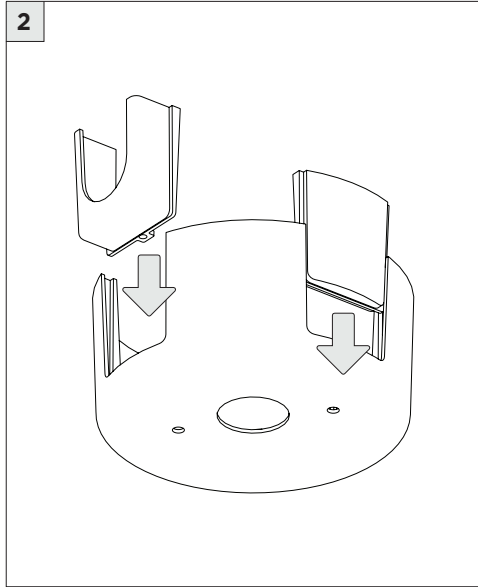
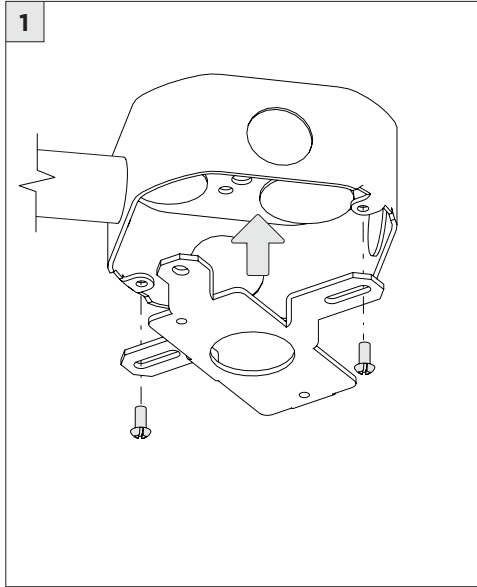
#### INSTRUCTION KEY

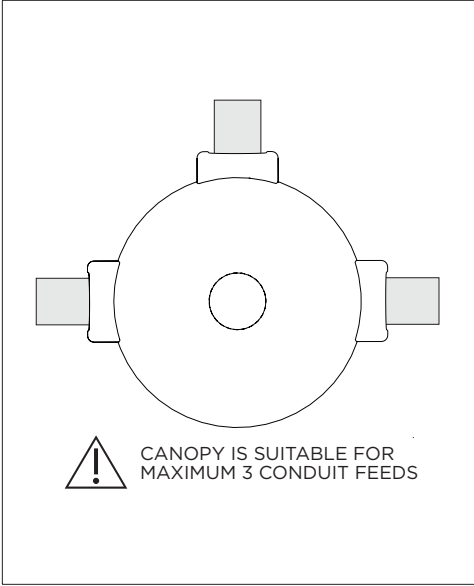
#### INFORMATION

- ADDITIONAL
- ATTENTION
- POWER ON
- POWER OFF

INSTALLATION SHOULD ONLY BE PERFORMED BY A CERTIFIED ELECTRICIAN  
 REFER TO LOCAL/NATIONAL CODES FOR PROPER INSTALLATION  
 FAILURE TO FOLLOW INSTALLATION INSTRUCTION MAY VOID THE WARRANTY  
 DO NOT TOUCH LEDS. LEDS MUST BE PROTECTED FROM MECHANICAL STRESS OR DEBRIS  
 TURN OFF POWER DURING INSTALLATION OR SERVICING

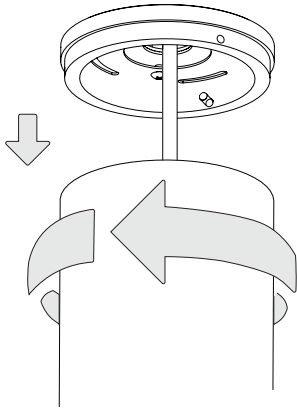




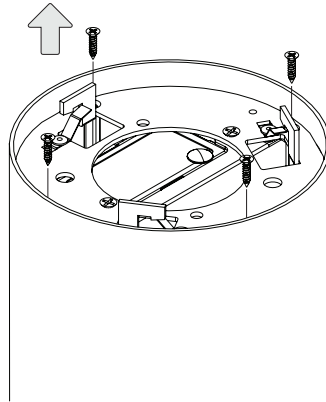


**DRIVER SERVICING**

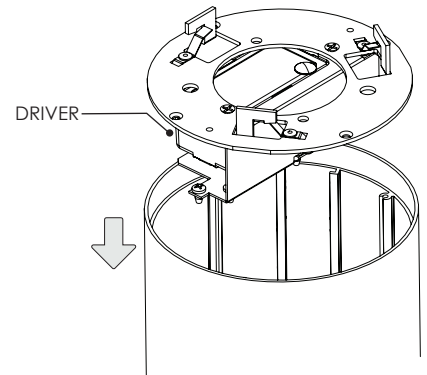
1



2

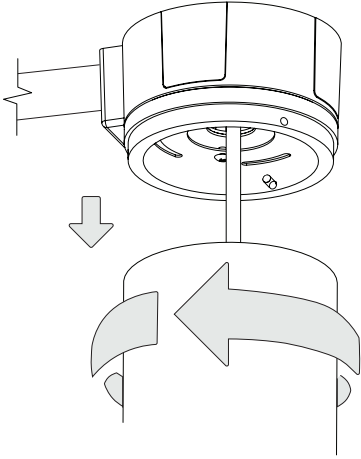


2

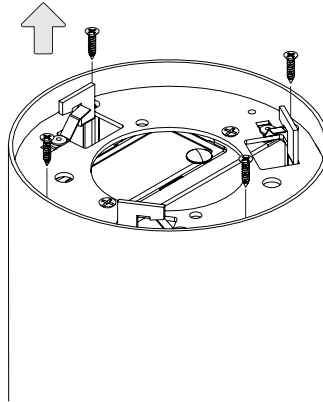


**DRIVER SERVICING**

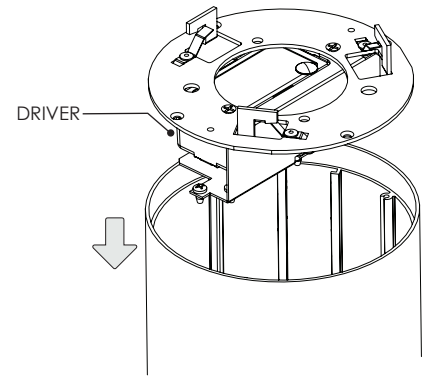
1



2

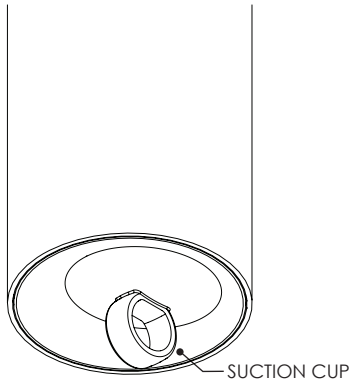


2

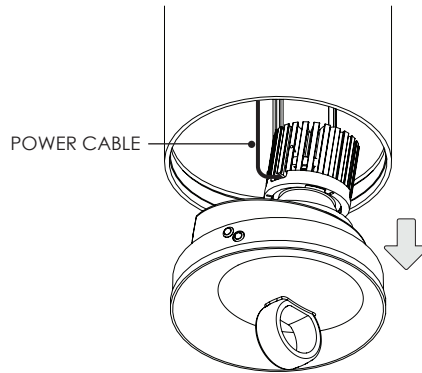


**LED SERVICING**

**1**

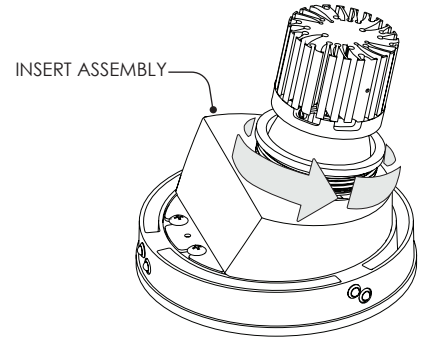


**2**

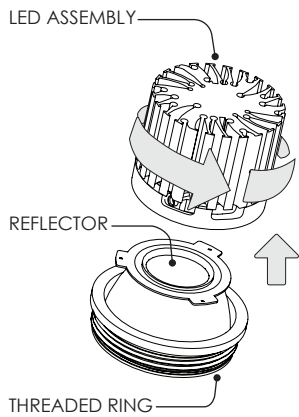


ENSURE TO DISCONNECT POWER CABLE

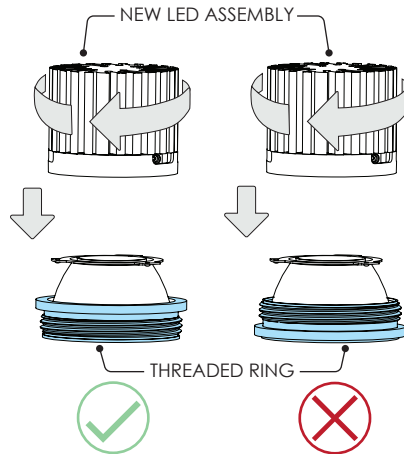
**3**



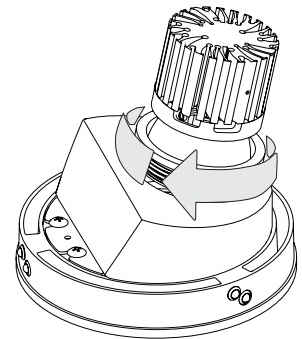
**4** REPLACE LED ASSEMBLY



**5**

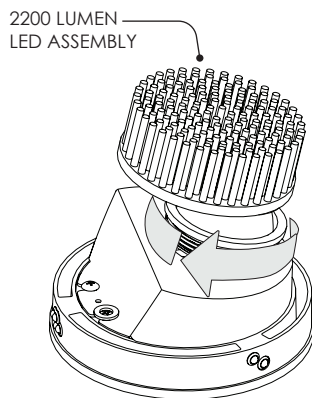


**6**



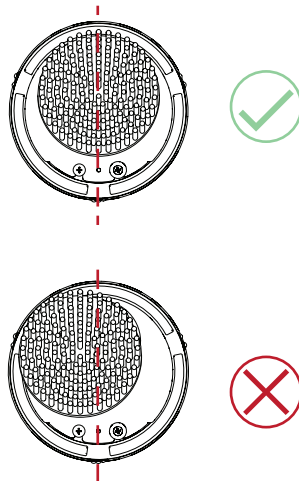
ENSURE THE HEAT SINK IS ALIGNED WITH INSERT ASSEMBLY AND FULLY TIGHTEN THE THREADED RING

**7**

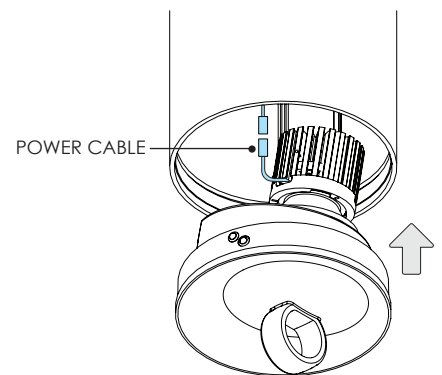


FOR 2200 LUMEN FIXTURES

**7A**



**8**



EXACT LED MODEL MAY VARY