
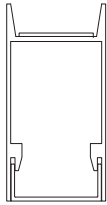
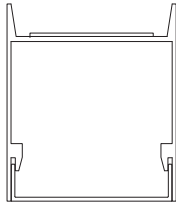
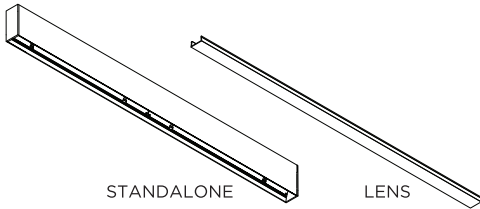
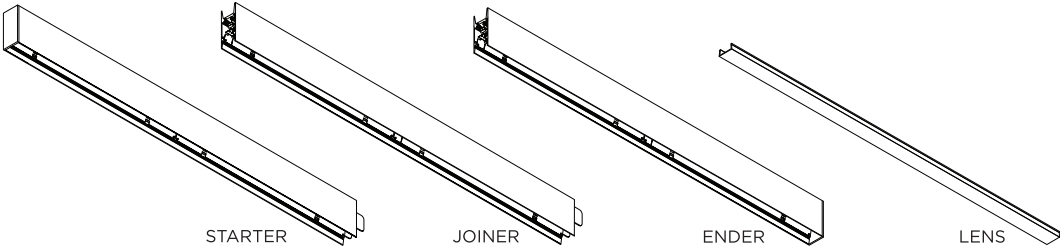
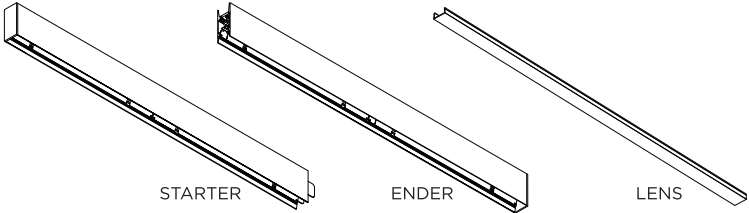

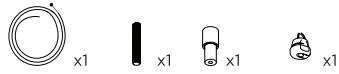
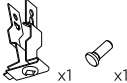
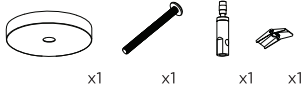
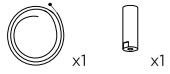
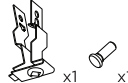








3Gi-1PSL, 3Gi-2PSL, and 3Gi-4PSL 1.5", 2", and 3.5" INTEGRATED PENDANT

DIRECT
DIRECT/INDIRECT

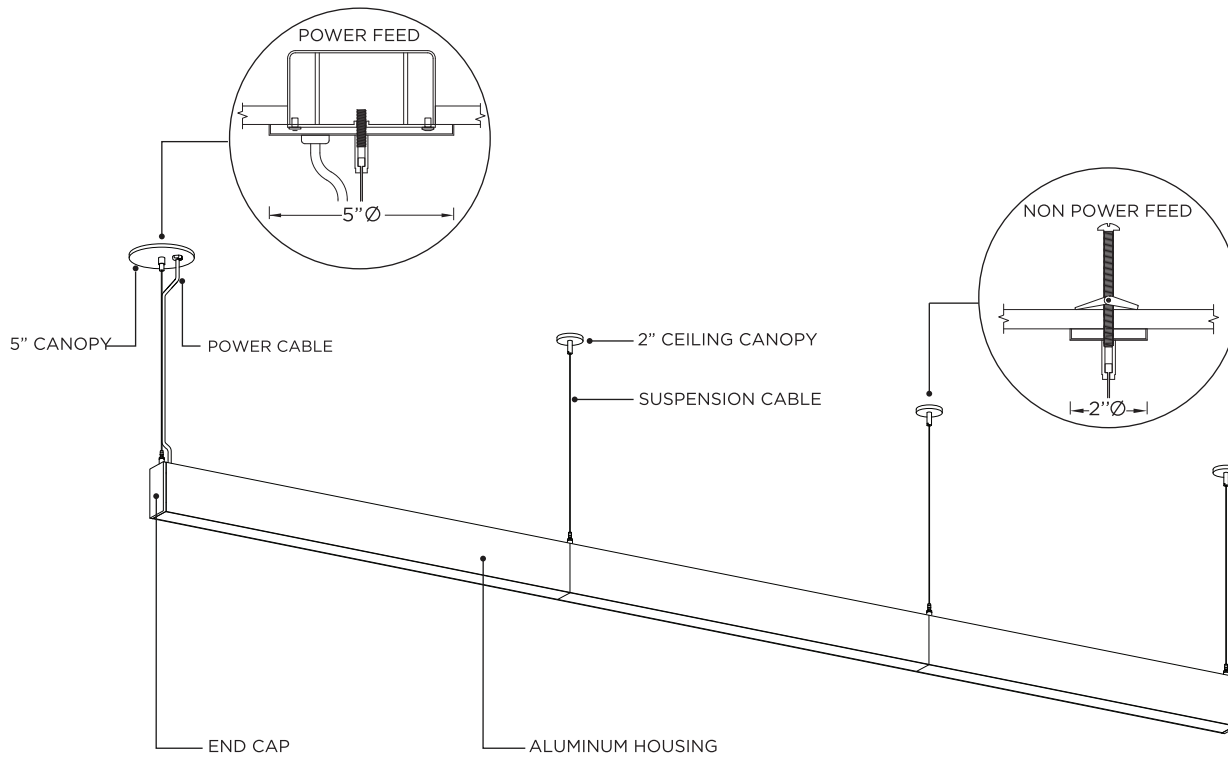


FIXTURE TYPES			INCLUDED COMPONENTS	
<p>3Gi-1PSL</p> 	<p>3Gi-2PSL</p> 	<p>3Gi-4PSL</p> 	<p>Standalone Fixture (2' to 8')</p>  <p>STANDALONE LENS</p>	
<p>Continuous Runs (17' and longer)</p>  <p>STARTER JOINER ENDER LENS</p>			<p>Continuous Runs (9' to 16')</p>  <p>STARTER ENDER LENS</p>	
			<p>Power feed kit</p>  <p>x1 x2 x1 x1</p>  <p>x1 x1 x1 x1</p> <p>i FOR GRID CEILING APPLICATION</p>  <p>x1 x1</p>	<p>Non - Power feed kit</p>  <p>x1 x1 x1 x1</p>  <p>x1 x1</p> <p>i FOR GRID CEILING APPLICATION</p>  <p>x1 x1</p>

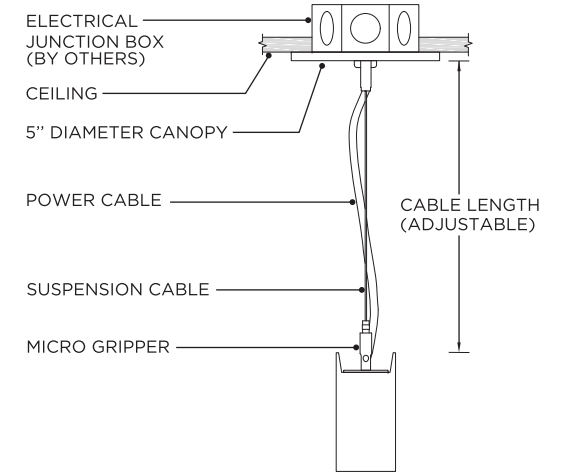
INSTRUCTION KEY	INFORMATION
	ADDITIONAL
	ATTENTION
	POWER ON
	POWER OFF
	<p>INSTALLATION SHOULD ONLY BE PERFORMED BY A CERTIFIED ELECTRICIAN REFER TO LOCAL/NATIONAL CODES FOR PROPER INSTALLATION FAILURE TO FOLLOW INSTALLATION INSTRUCTION MAY VOID THE WARRANTY DO NOT TOUCH LEDS. LEDS MUST BE PROTECTED FROM MECHANICAL STRESS OR DEBRIS TURN OFF POWER DURING INSTALLATION OR SERVICING</p>

OVERVIEW

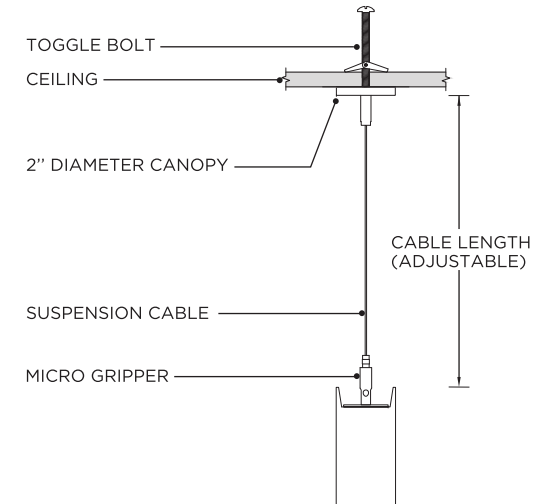
3Gi-1PSL, 2PSL, 4PSL - DRYWALL SUSPENSION



POWER FEED SUSPENSION

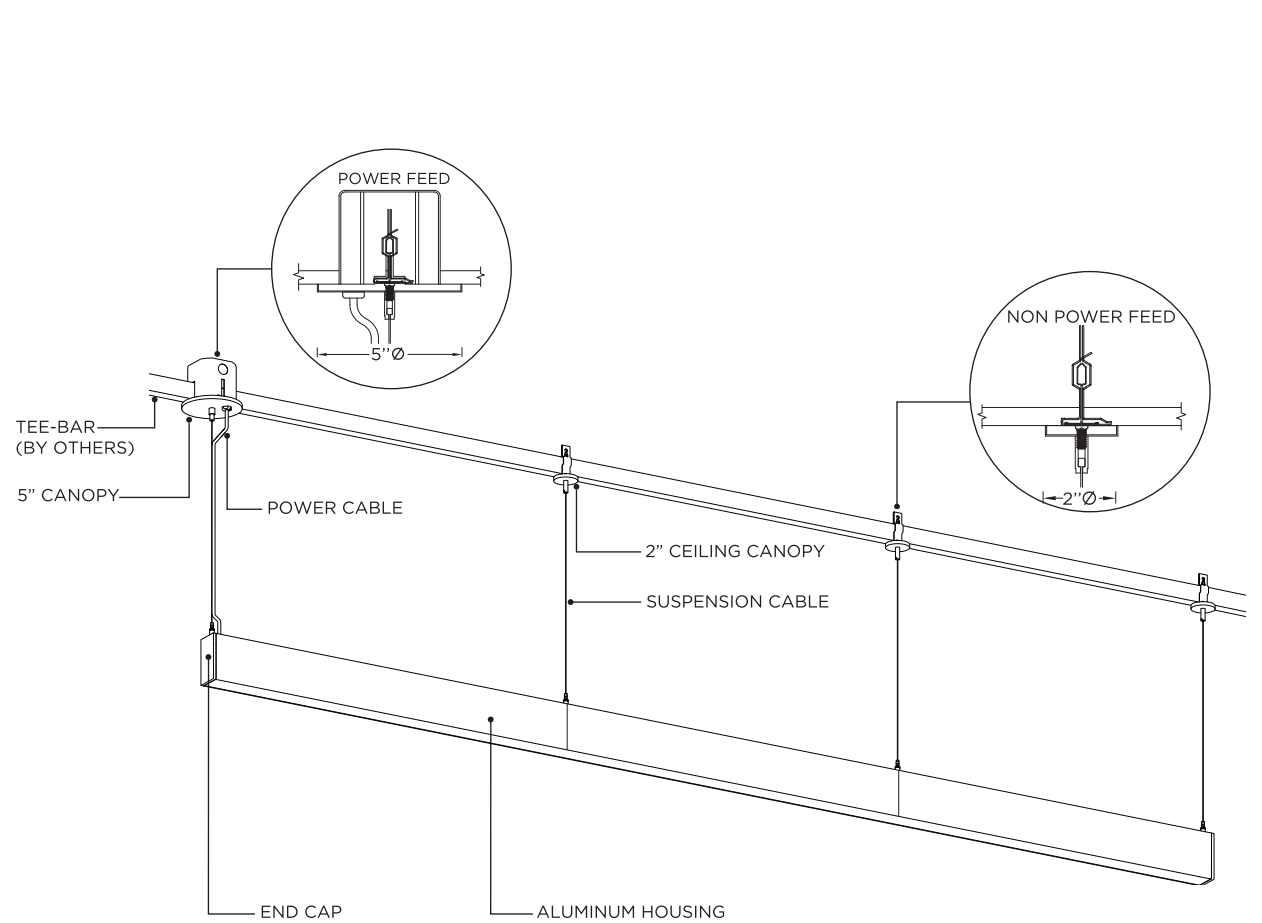


NON - POWER FEED SUSPENSION

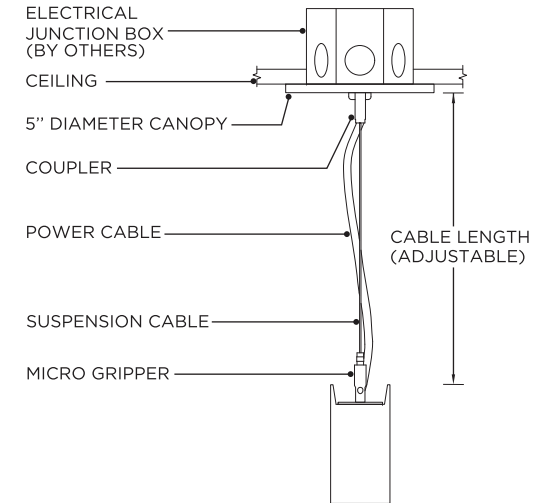


ASYMMETRIC LENS ORIENTATION

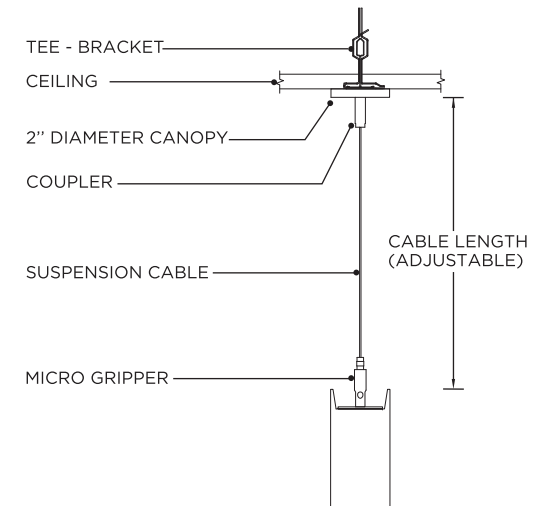
3Gi-1PSL, 2PSL, 4PSL - GRID CEILING - GCX



POWER FEED SUSPENSION



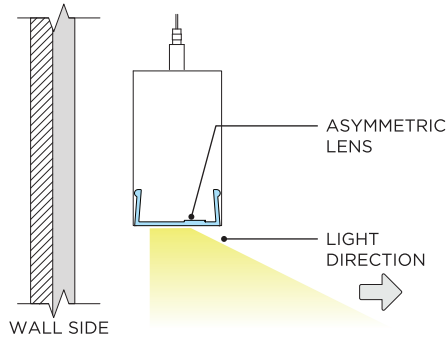
NON - POWER FEED SUSPENSION



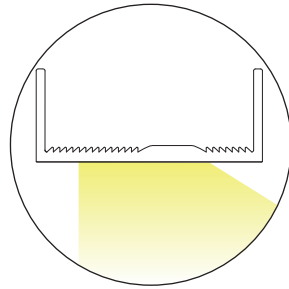
ASYMMETRIC LENS ORIENTATION

3Gi-1PSL, 3Gi-2PSL-ASYMMETRIC LENS

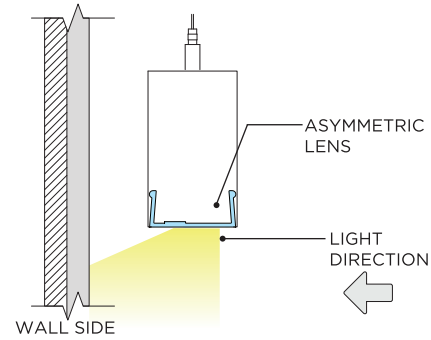
ROOM SIDE DISTRIBUTION



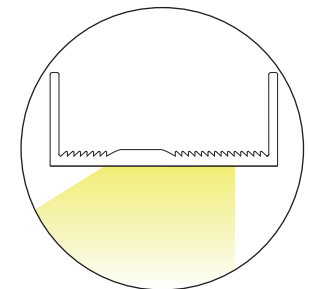
ASYMMETRIC LENS



WALL GRAZING DISTRIBUTION

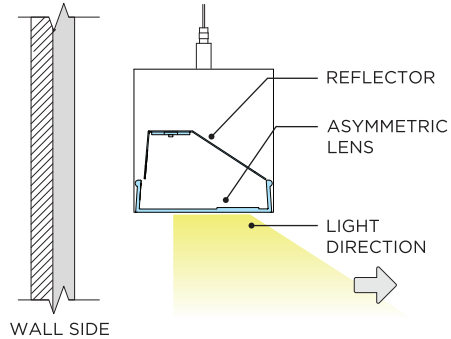


ASYMMETRIC LENS

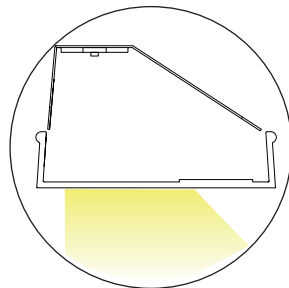


3Gi-4PSL-ASYMMETRIC LENS/REFLECTOR ORIENTATION

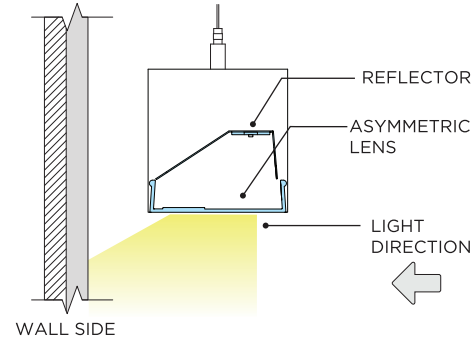
ROOM SIDE DISTRIBUTION



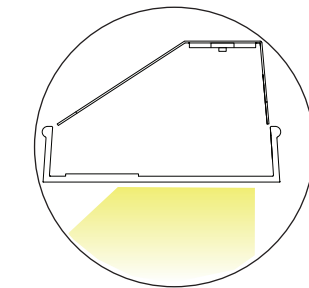
ASYMMETRIC LENS



WALL GRAZING DISTRIBUTION

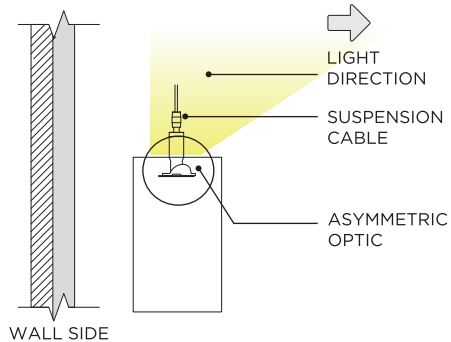


ASYMMETRIC LENS

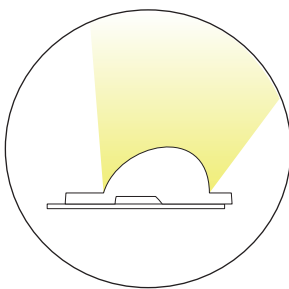


INDIRECT ASYMMETRIC OPTIC

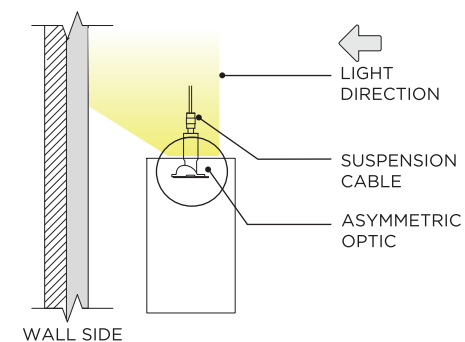
ROOM SIDE DISTRIBUTION



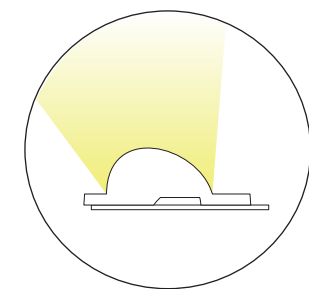
ASYMMETRIC OPTIC



WALL GRAZING DISTRIBUTION



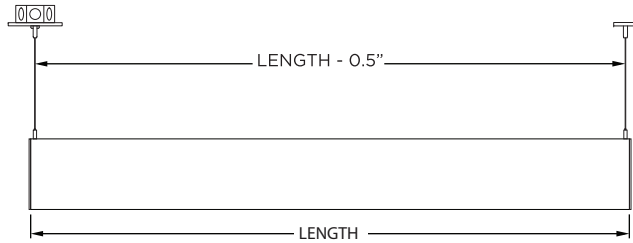
ASYMMETRIC OPTIC



SUSPENSION CABLE LOCATION

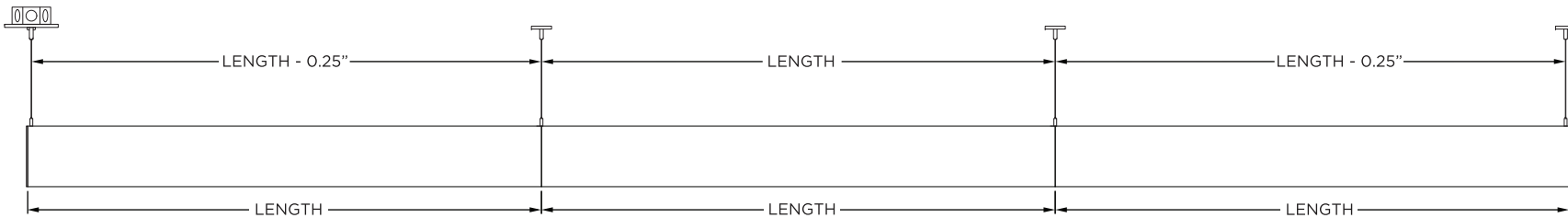
STANDALONE

STANDALONE
AT 0.25" FROM EACH END OF LENGTH



STARTER, JOINER, and ENDER

STARTER/JOINER/ENDER
AT 0.125" FROM EACH END OF SECTION LENGTH



IDENTIFICATION AND PREPARATION

ID LABEL

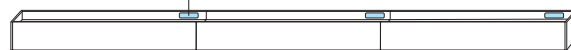
TYPE: **XX XX**
ID: **01 OF 03** CO-0000

SECTION ID NUMBER ORDER NUMBER ORDER TYPE

i IDENTIFY FIXTURE SECTIONS BY THE ID LABELS FOUND ON THE BOX INSIDE THE SECTIONS

ID LABEL

SECTION: **01 OF 03**
TYPE: **XX XX** CO-0000

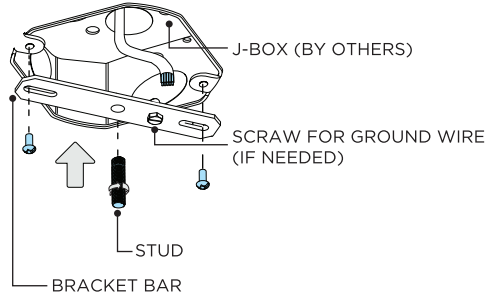


STARTER

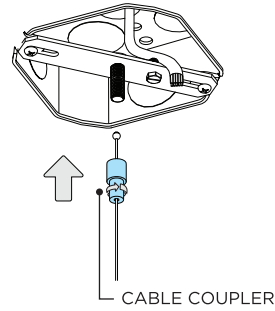
JOINER

ENDER

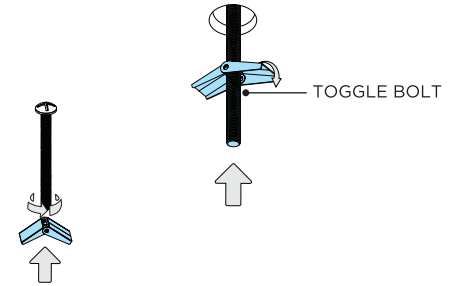
1 DRYWALL SUSPENSION - POWER FEED



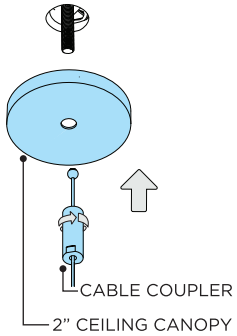
2



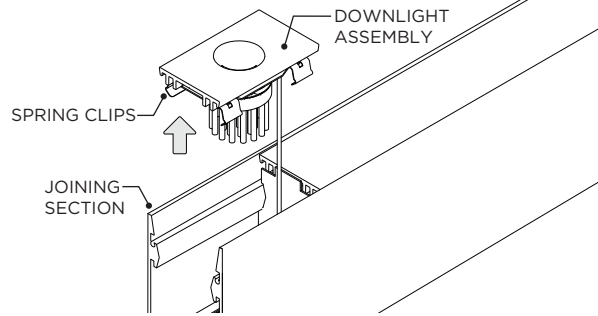
3 DRYWALL SUSPENSION - NON-POWER FEED



4

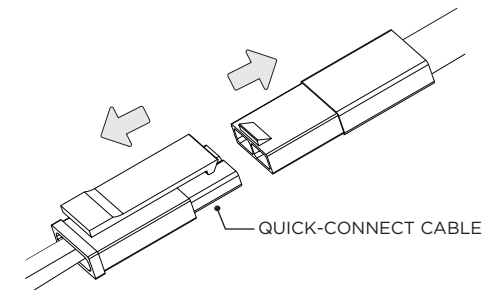


5A DOWNLIGHT REMOVAL



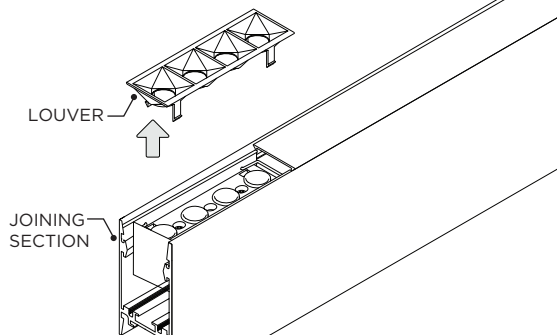
i REMOVE DOWNLIGHT ASSEMBLIES FROM ALL JOINING SECTIONS

5A



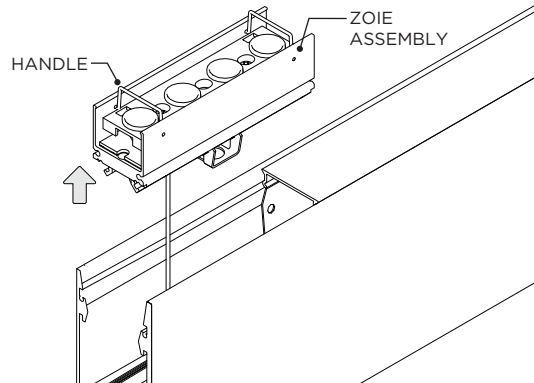
DISCONNECT SAFETY CABLE & QUICK-CONNECT CABLE FROM LED ASSEMBLY

5B ZOIE REMOVAL



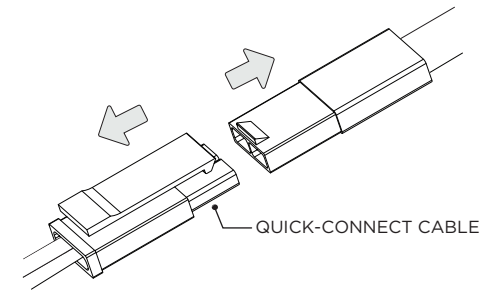
i REMOVE ZOIE ASSEMBLIES FROM ALL JOINING SECTIONS WHERE APPLICABLE

5B

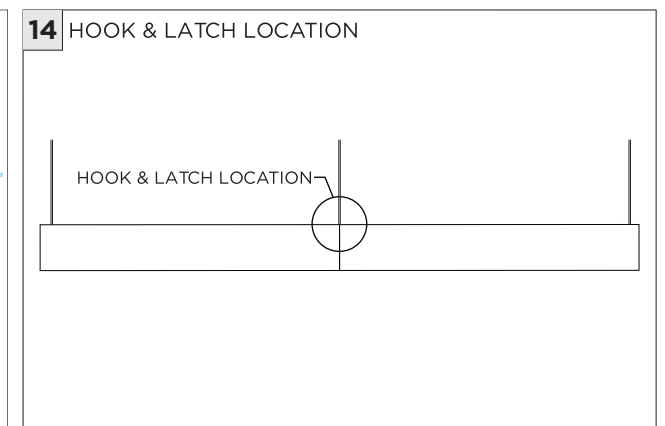
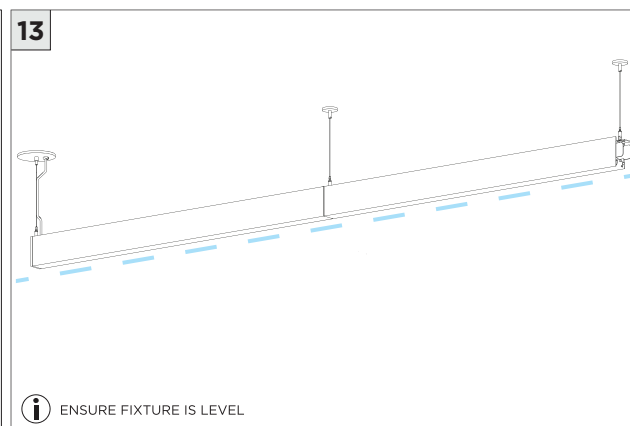
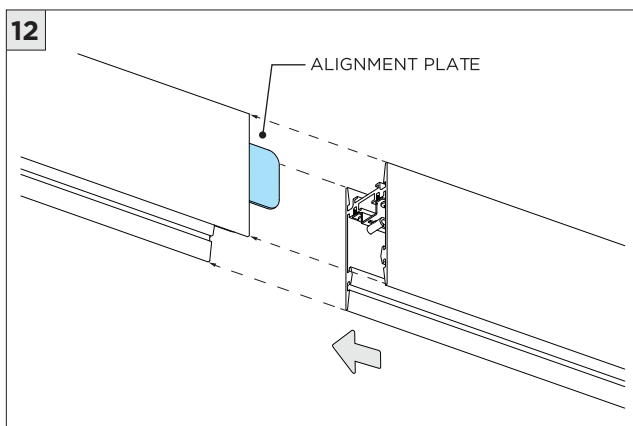
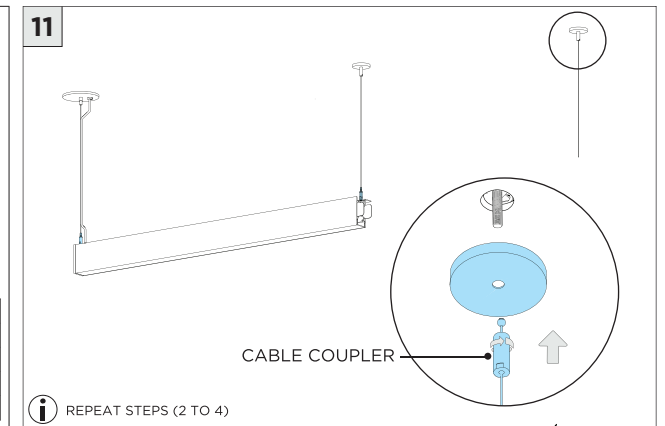
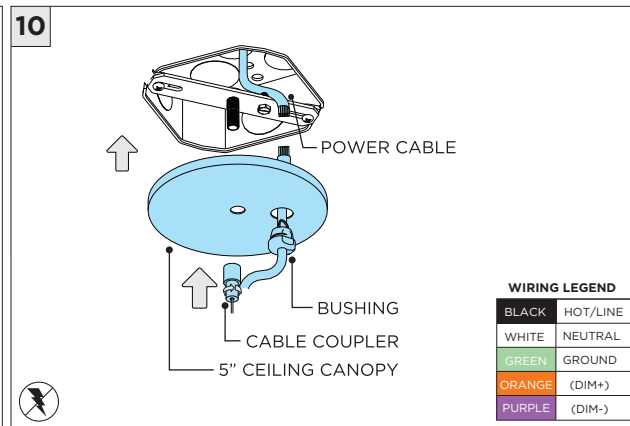
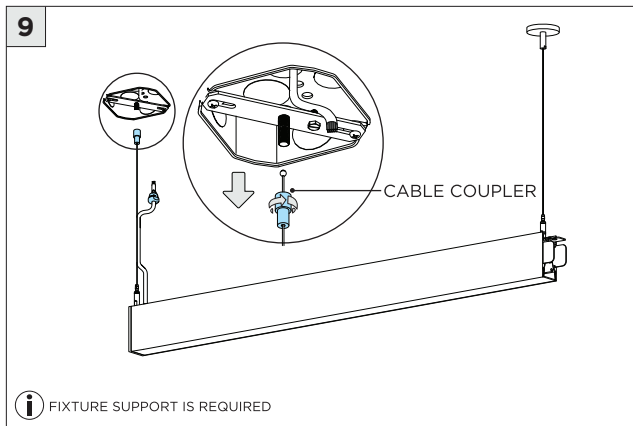
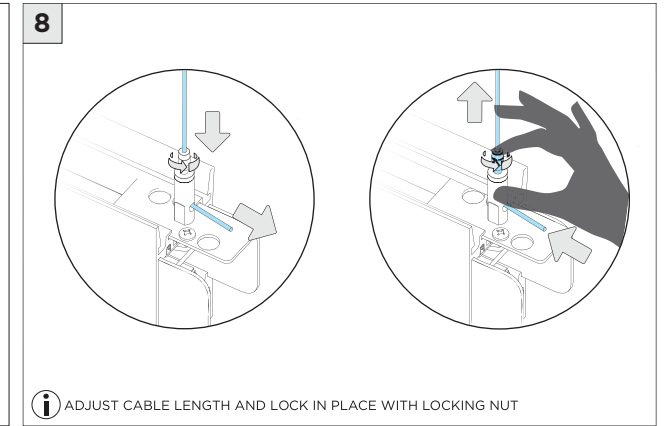
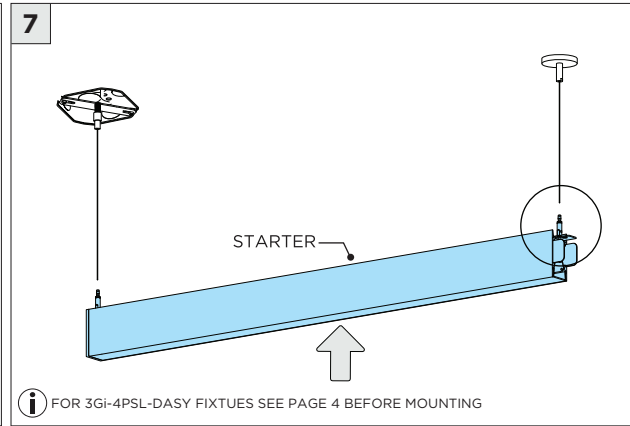
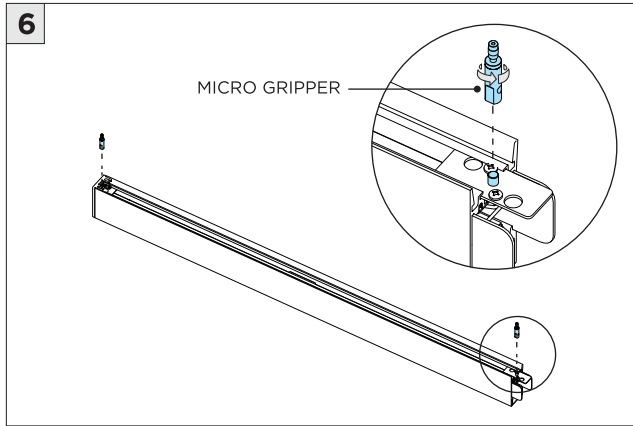


i PULL ON HANDLES TO REMOVE ZOIE ASSEMBLY

5B



DISCONNECT SAFETY CABLE & QUICK-CONNECT CABLE FROM LED ASSEMBLY



15

⚠ MECHANISM IS NOT INTENDED TO PULL SECTIONS TOGETHER

LATCH HOOK

i LEVEL FIXTURES BEFORE ENGAGING HOOK & LATCH MECHANISM

16

WIRING CONNECTOR

x CONNECT LINIA WIRING CONNECTOR BETWEEN SECTIONS IF APPLICABLE

18

i CONNECT ALL 3Gi SECTIONS

19A DOWNLIGHT INSTALLATION

SPRING CLIPS

DOWNLIGHT ASSEMBLY

i RECONNECT ALL DOWNLIGHT ASSEMBLIES

19A

QUICK-CONNECT CABLE

CONNECT SAFETY CABLE & QUICK-CONNECT CABLE TO LED ASSEMBLY

19B ZOIE INSTALLATION

HANDLE

ZOIE ASSEMBLY

i RECONNECT ALL ZOIE ASSEMBLIES

19B

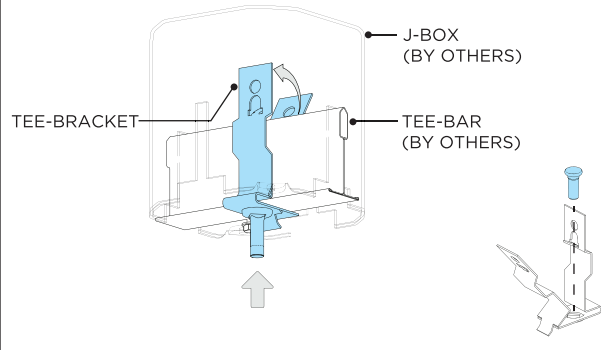
QUICK-CONNECT CABLE

CONNECT SAFETY CABLE & QUICK-CONNECT CABLE TO LED ASSEMBLY

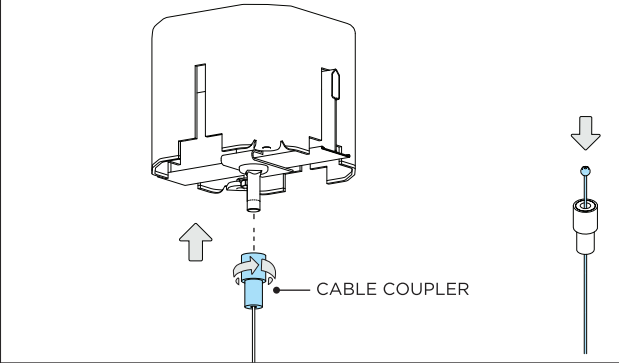
19B

LOUVER

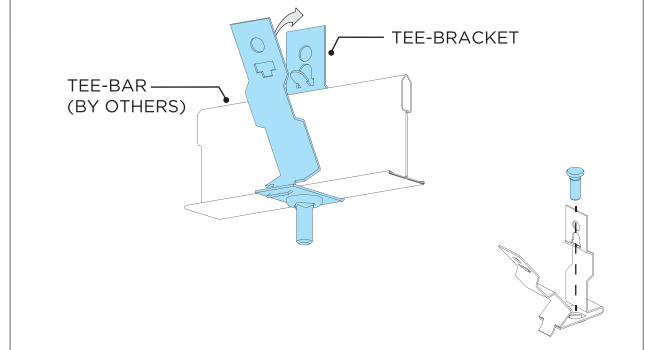
1 GRID CEILING SUSPENSION - POWER FEED



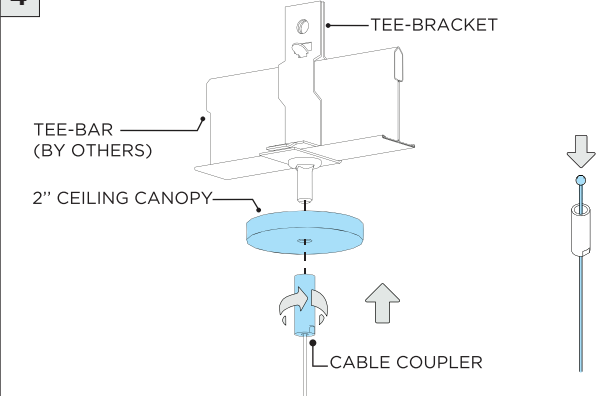
2



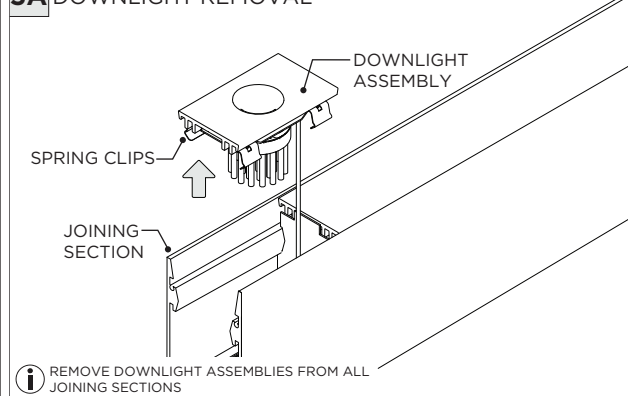
3 GRID CEILING SUSPENSION - NON-POWER FEED



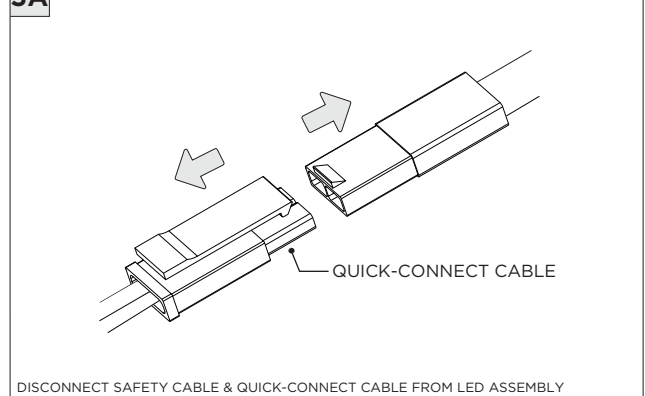
4



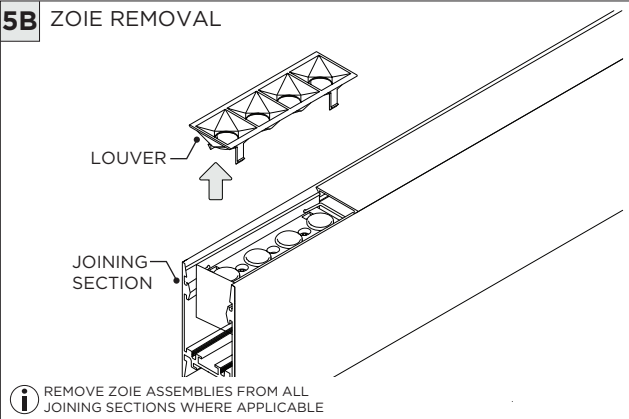
5A DOWNLIGHT REMOVAL



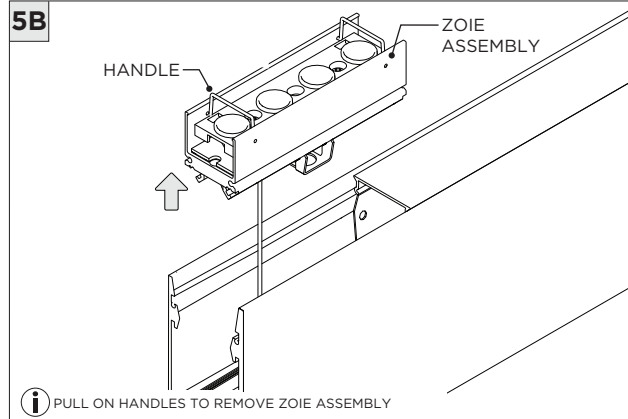
5A



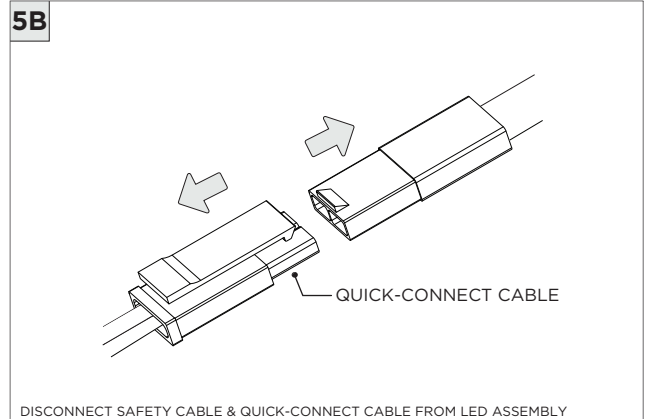
5B ZOIE REMOVAL

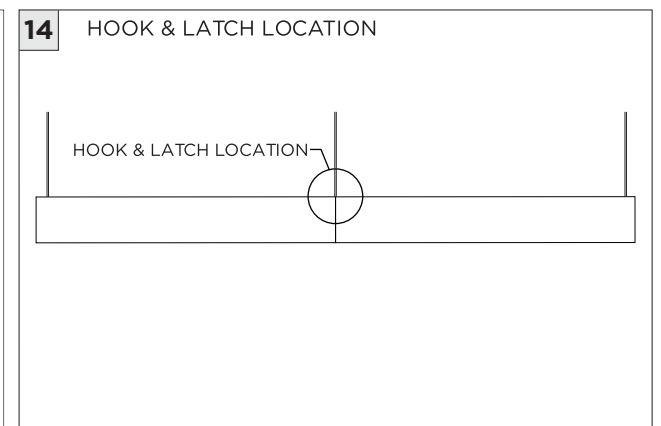
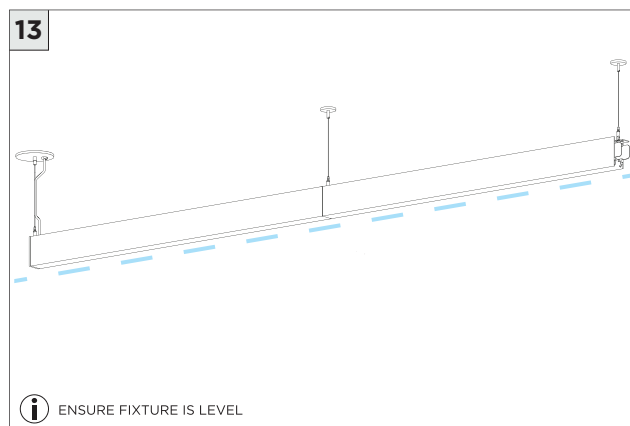
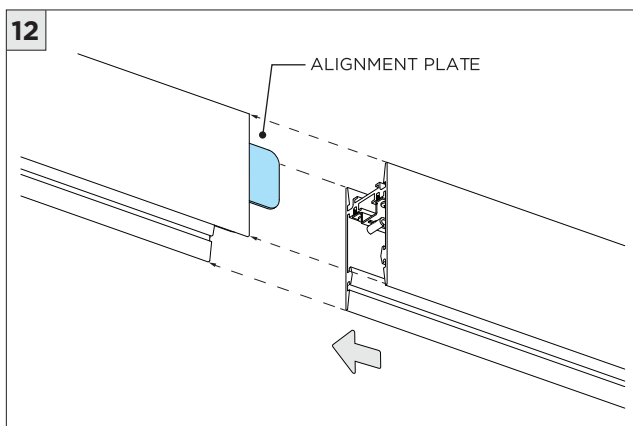
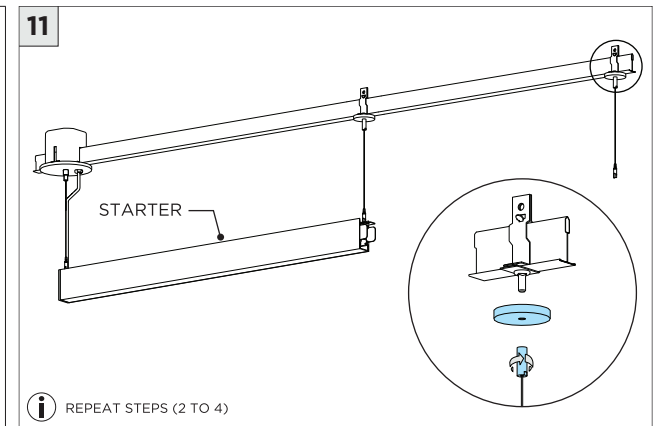
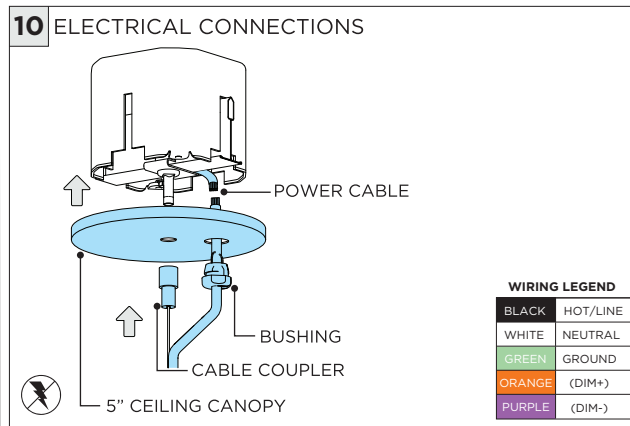
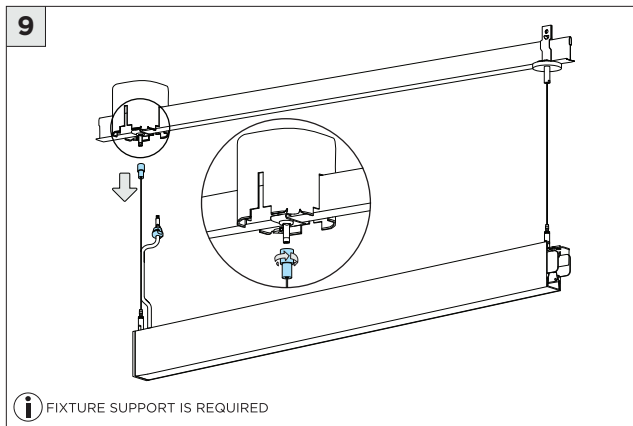
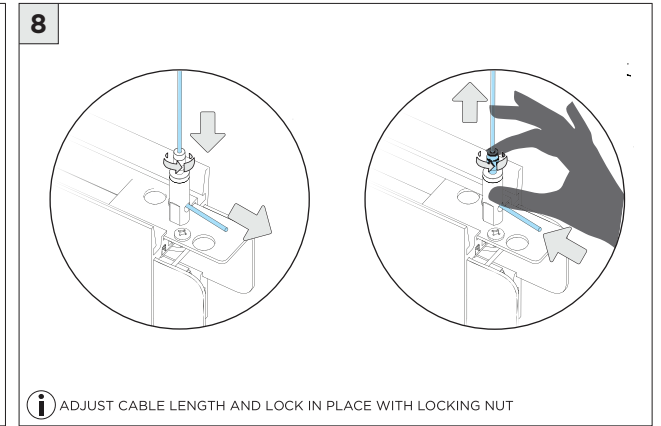
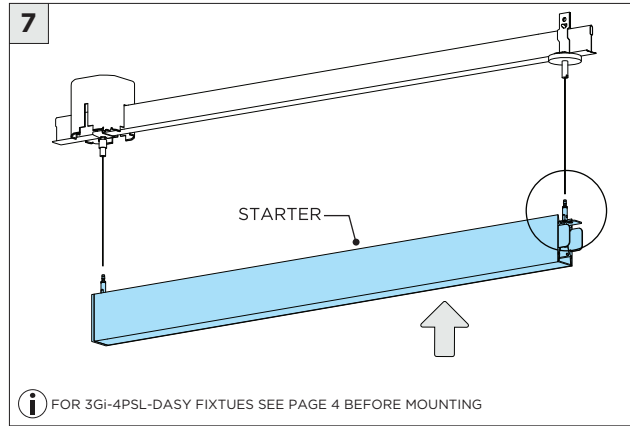
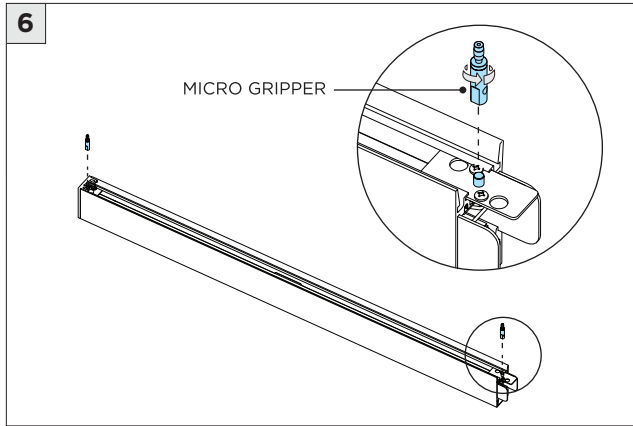


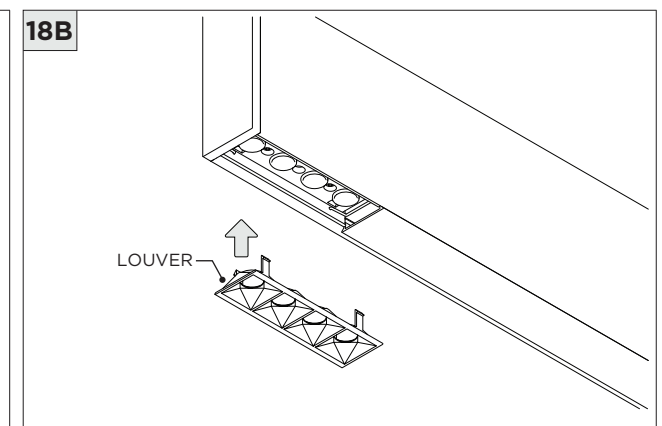
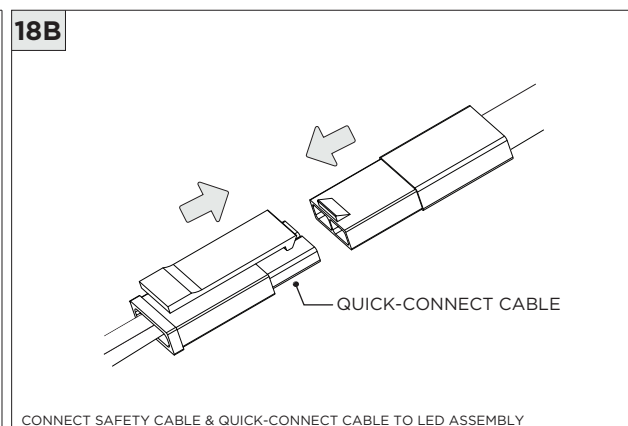
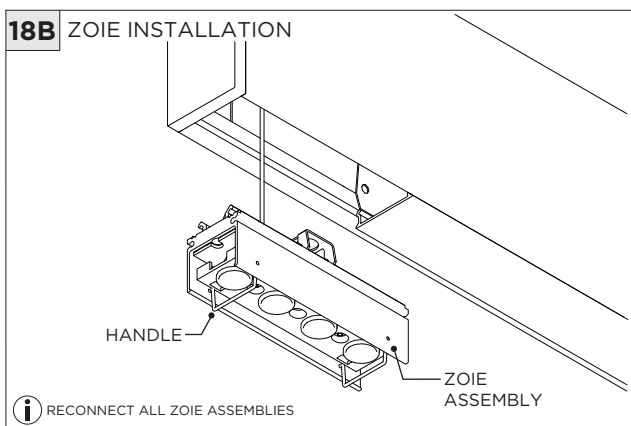
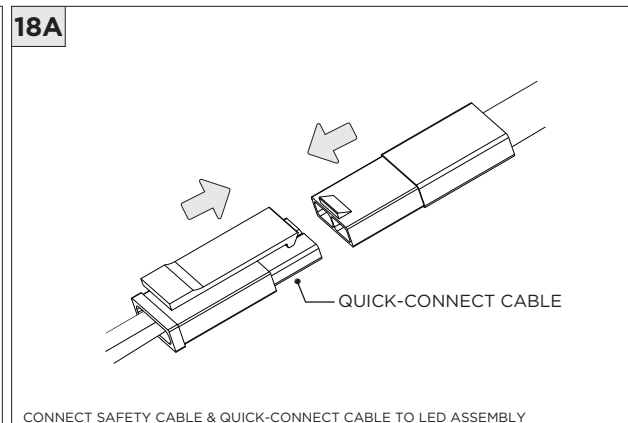
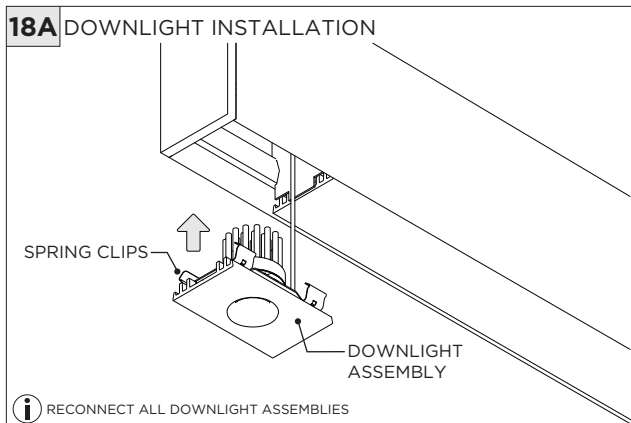
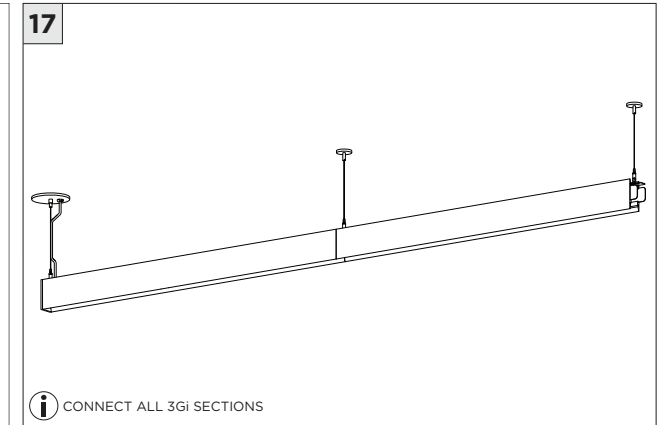
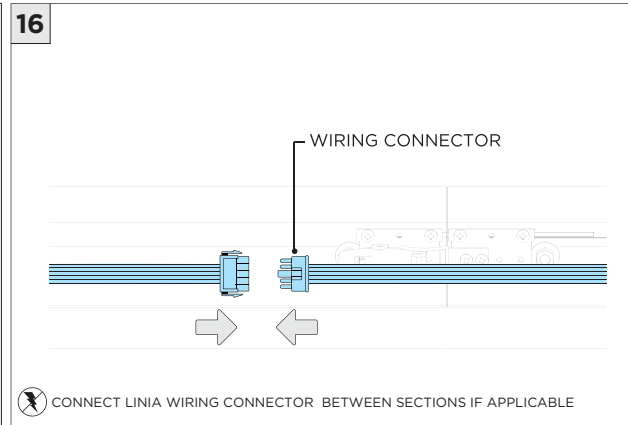
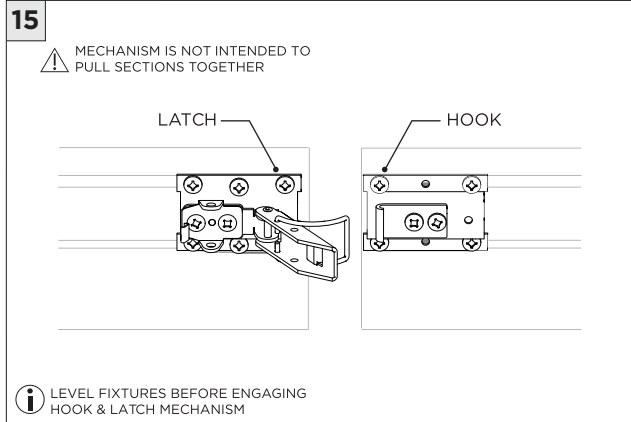
5B



5B

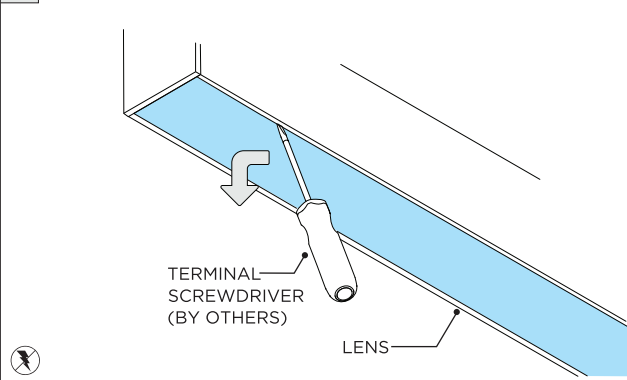




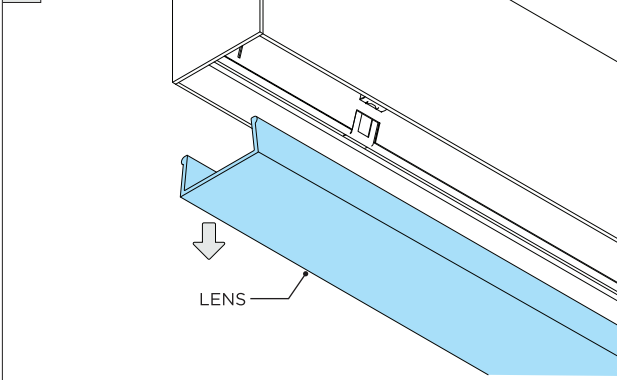


DRIVER SERVICING

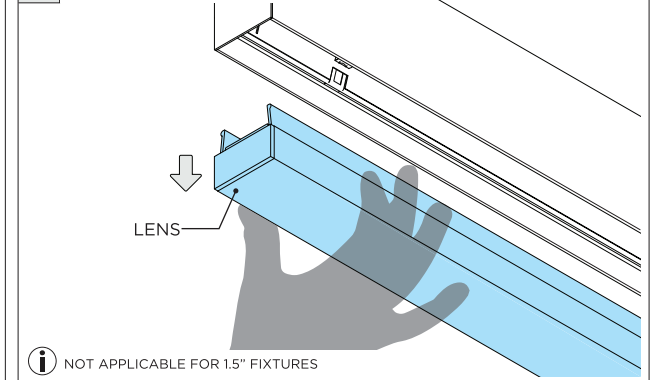
1 FLUSH LENS REMOVAL



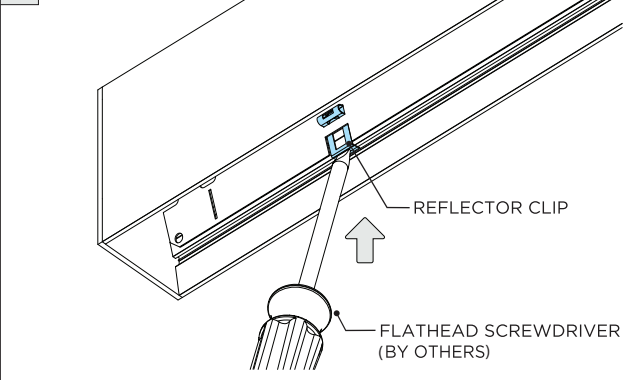
2



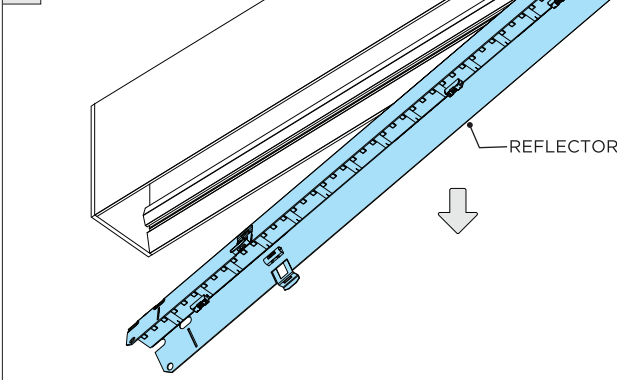
2A DROP LENS REMOVAL



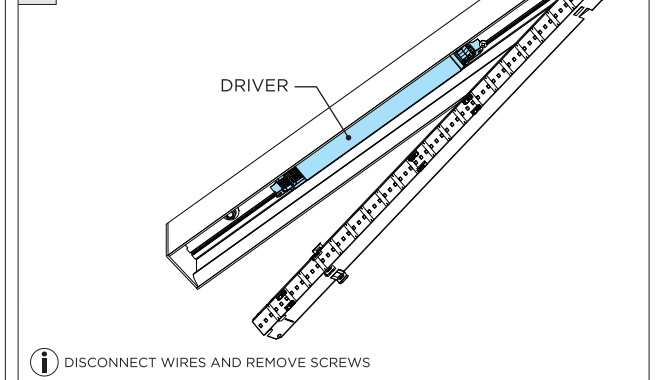
3



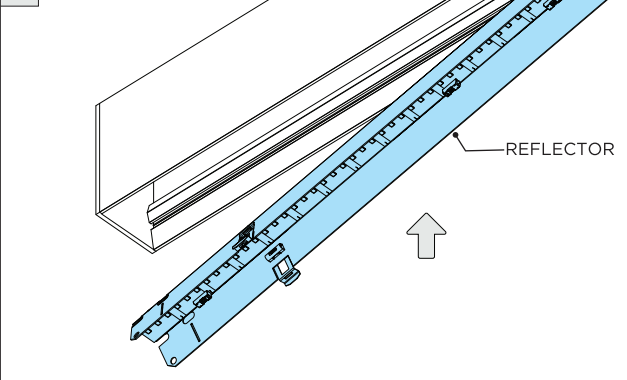
4



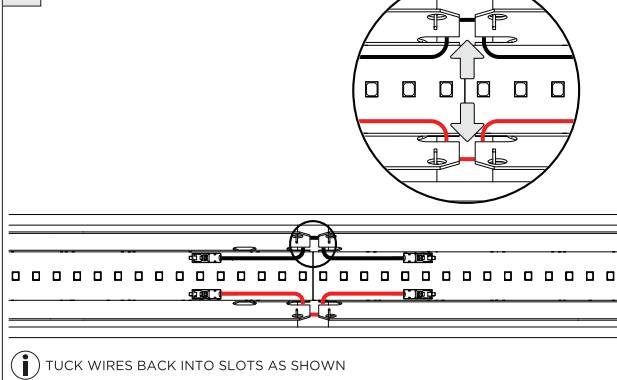
5



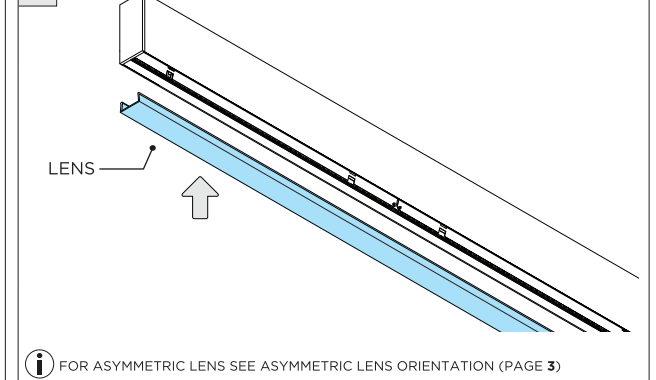
6



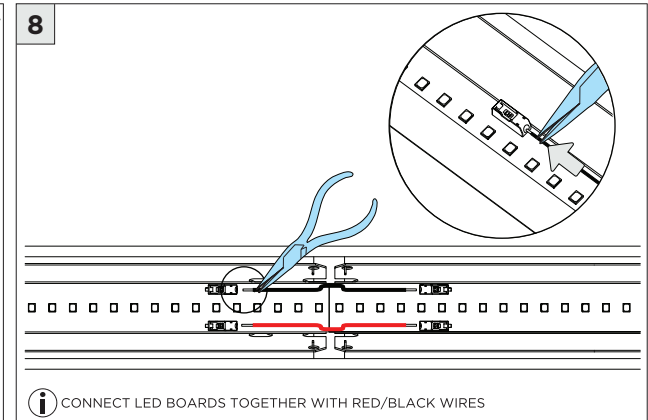
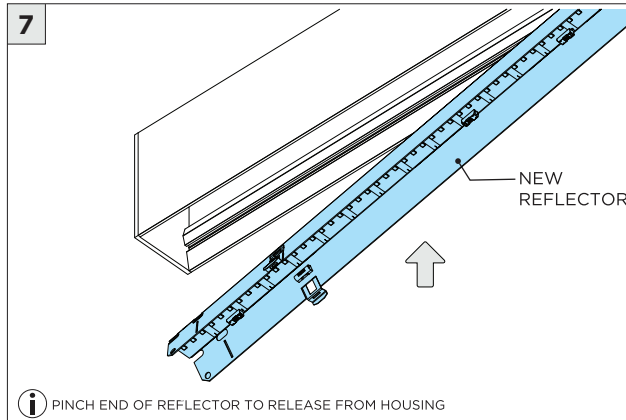
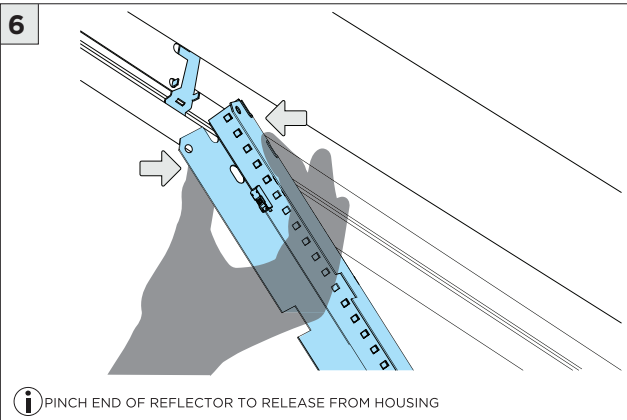
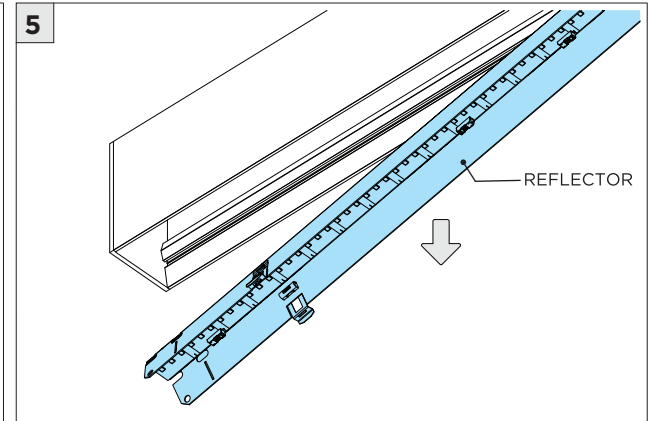
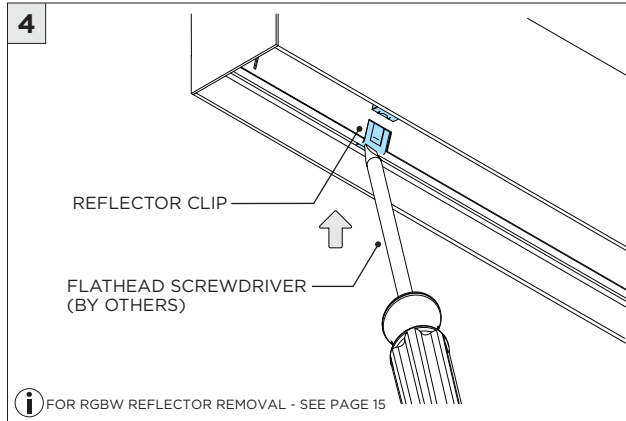
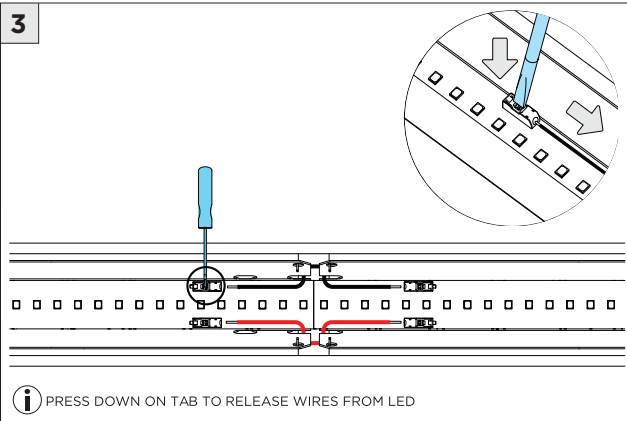
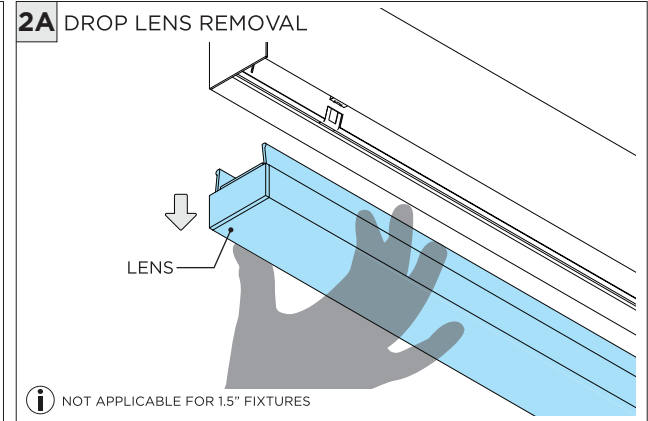
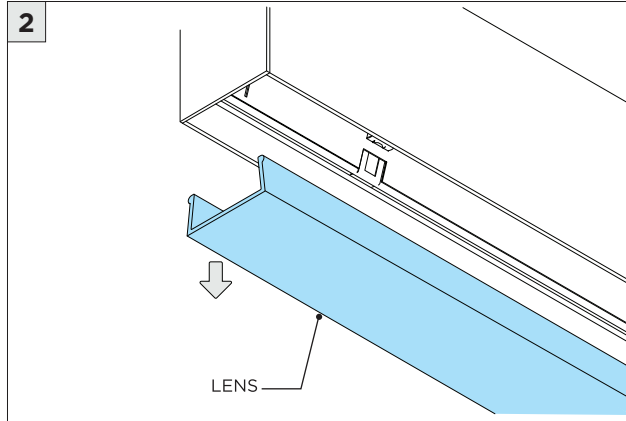
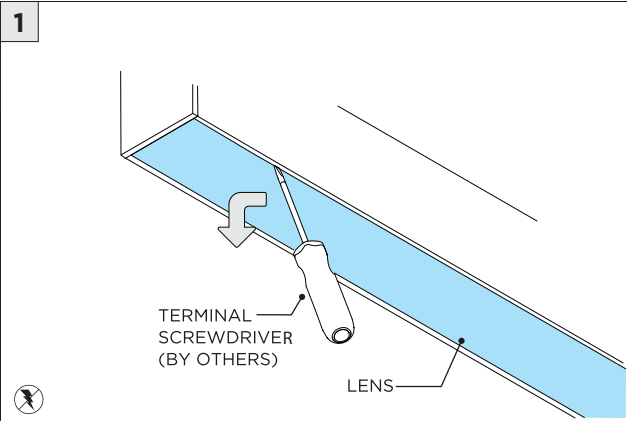
7



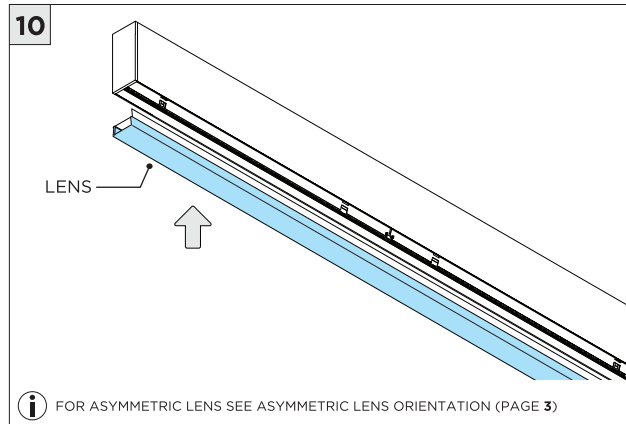
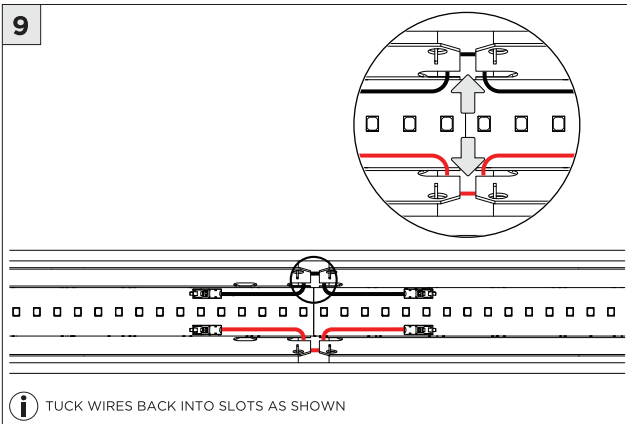
8



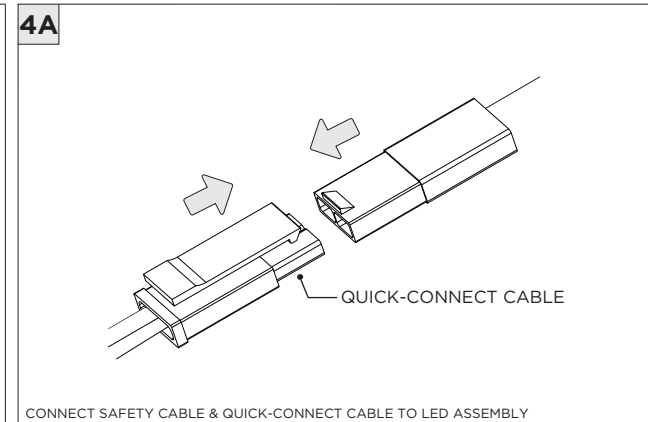
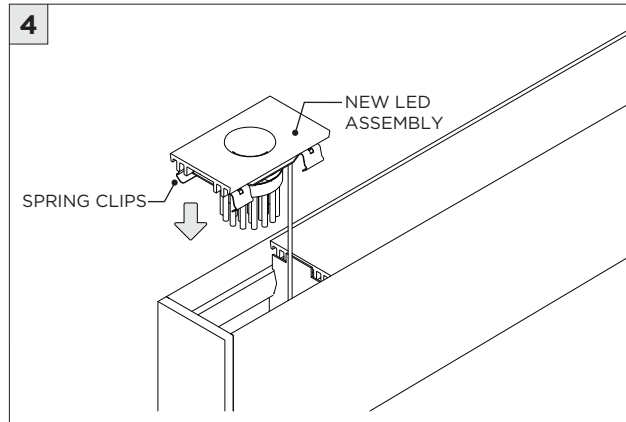
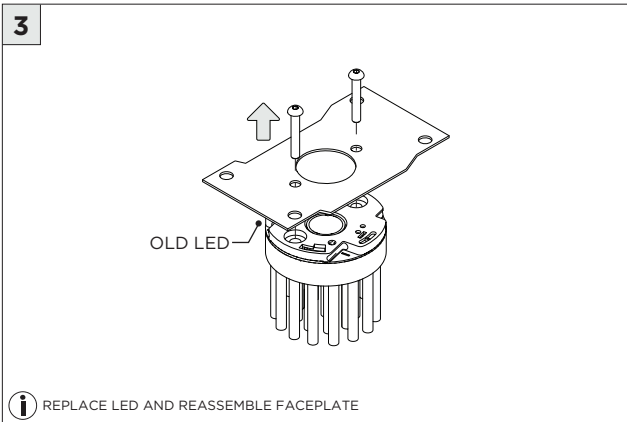
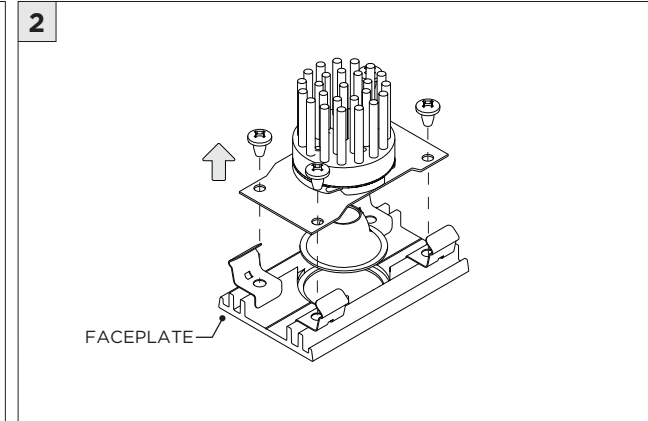
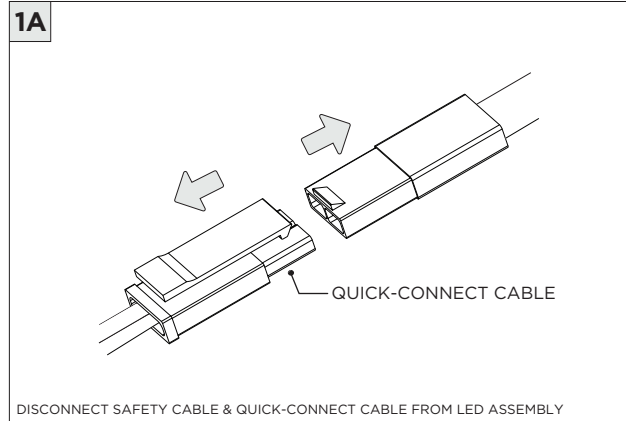
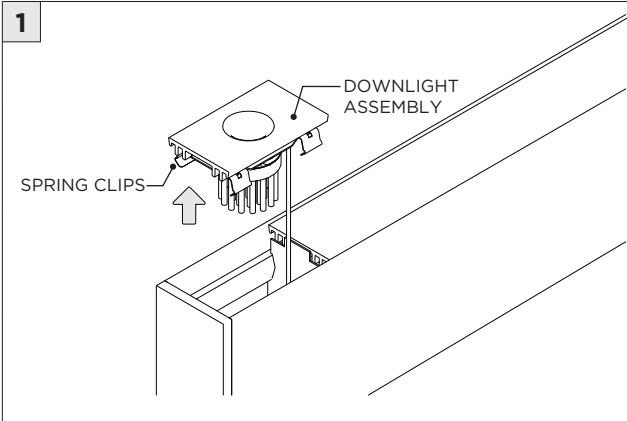
LED SERVICING - DIRECT



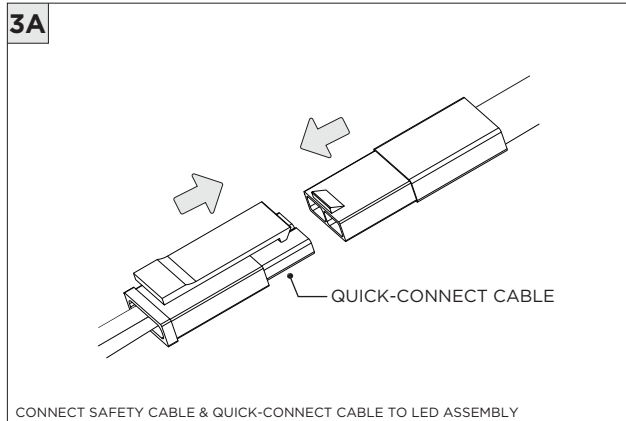
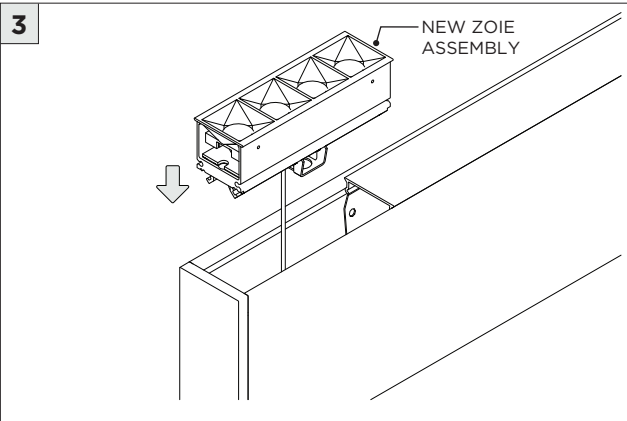
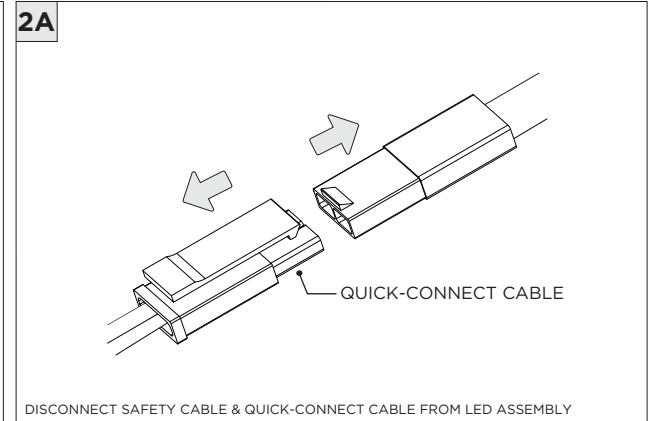
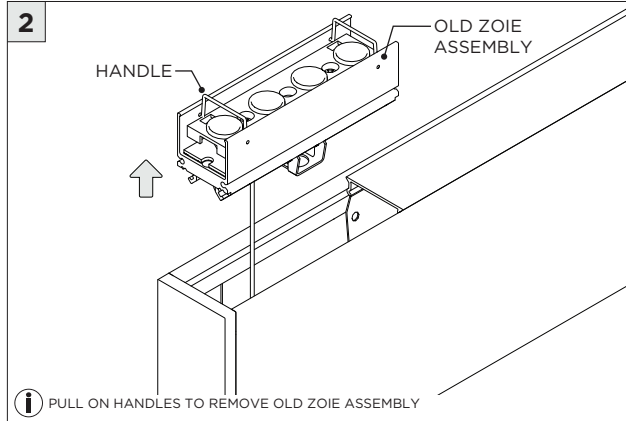
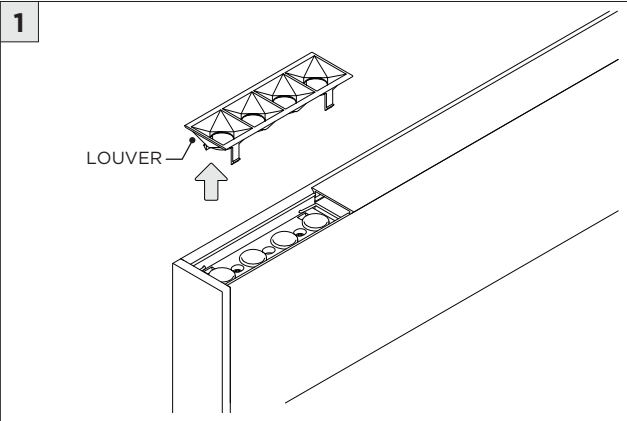
LED SERVICING - DIRECT



DOWNLIGHT SERVICING

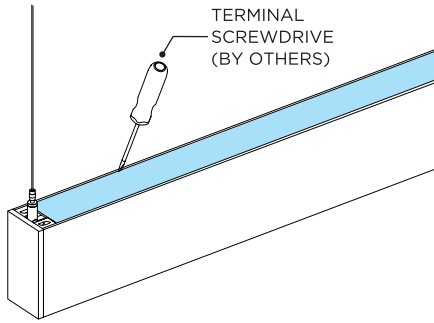


ZOIE SERVICING

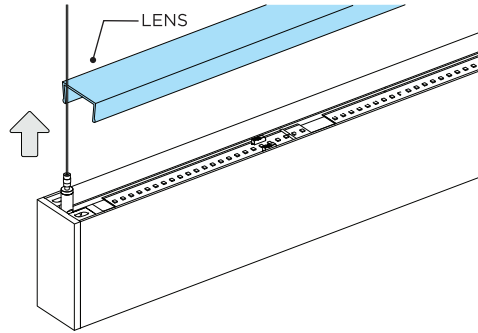


LED SERVICING - INDIRECT

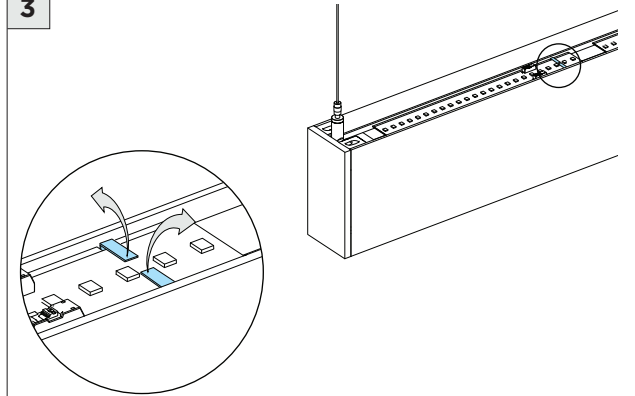
1 INDIRECT LENS REMOVAL



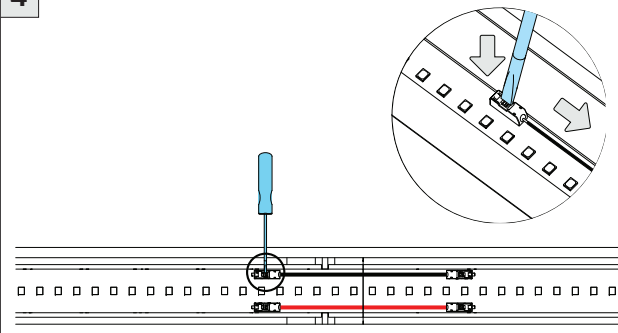
2



3

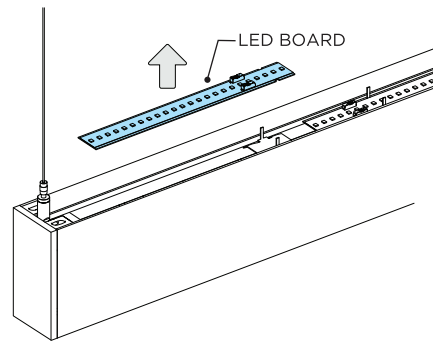


4

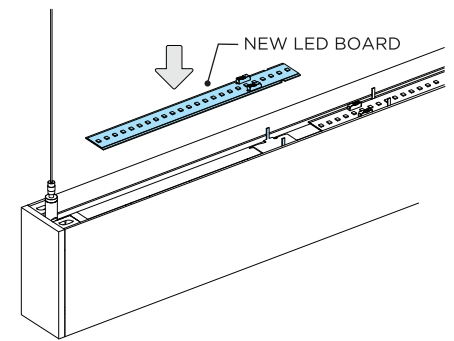


i PRESS DOWN ON TAB TO RELEASE WIRES FROM LED

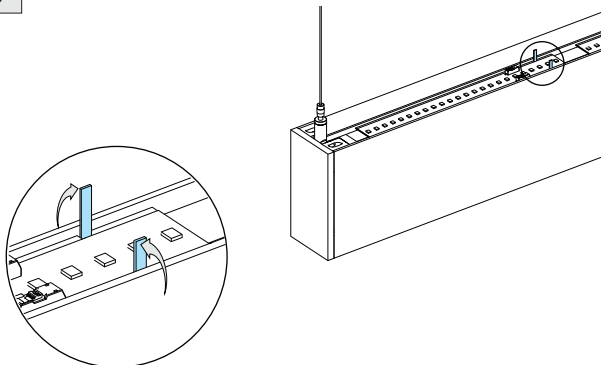
5



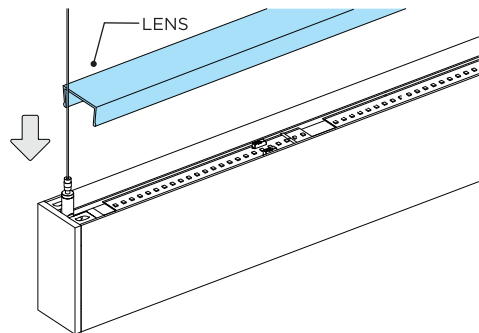
6



7



8



LED SERVICING - INDIRECT - ASYMMETRIC AND WIDE SPREAD OPTIC

