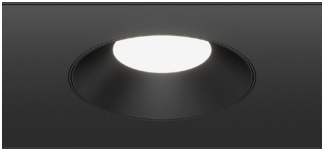


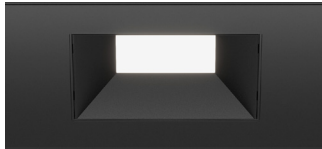


ILLUMINATED OPTIONS

DL33R - 3.3" ROUND DOWNLIGHT



DL33S - 3.3" SQUARE DOWNLIGHT



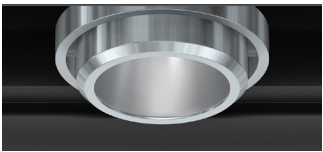
DZ33R - 3.3" ROUND ZONE



DZ33S - 3.3" SQUARE ZONE



M7 - MADISON DUAL AXIS



4LI - 3.5" LINIA



INTEGRATED MECHANICAL OPTIONS

CM - CAMERA



SP - SPEAKER



OS - OCCUPANCY SENSOR



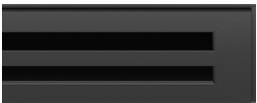
WF - WIFI ACCESS POINT



MC - MICROPHONE



HV - HVAC



SD - SMOKE DETECTOR



ST - FIRE STROBE



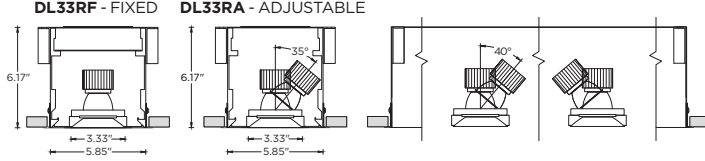
FS - FIRE SPRINKLER



JB - JUNCTION BOX



DL33R - 3.3" ROUND DOWNLIGHT



DOWNLIGHT SIZE: 3.33"
COLOR TEMP: 27K, 30K, 35K, 40K
CRI: 95+
COLOR CONSISTENCY <2 SDCM
UGR: <16

DELIVERED LUMENS: 1000 - 3000 LM *
EFFICACY: 96 - 116 LPW **
WATTAGE: 8.6 - 31.2 W **
L90: 50,000 HOURS

OPTICS: 20°, 40°, 60°, 90°

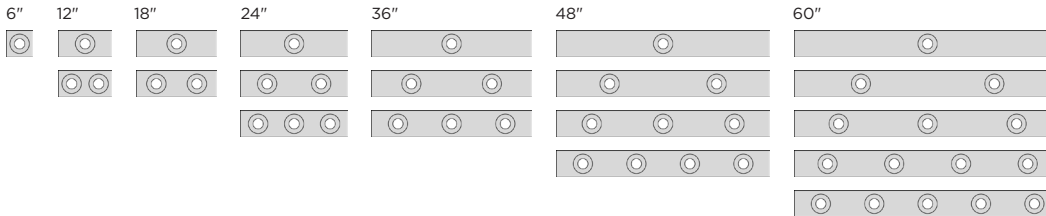
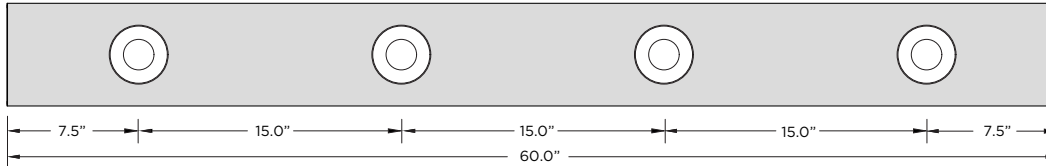
ADJUSTABILITY: 0° - 25° tilt across width
0° - 40° tilt across length
360° lockable rotation

Machined aluminum faceplate with trimless downlight integration
Cast aluminum beveled insert with matte powder coated finish
3.3" aperture with regressed LED source for enhanced glare control
Proprietary anodized, aluminum reflectors are field replaceable (20° reflector not interchangeable)
Softening lens supplied standard

Standard 0-10V, constant current drivers with 100-1% dimming range and >0.9 power factor
Standard 120/277V universal voltage with several driver options
All drivers are integral and easily accessible through luminaire aperture

*Round adjustable available up to 1500 LM
**Based on DL33RF, 95+ CRI, 40° and 35K

NOTE: ON CENTER SPACING = SECTION LENGTH/NUMBER OF DOWNLIGHTS



3.3" ROUND FIXED

LUMEN OUTPUT	DELIVERED LUMENS	SYSTEM WATTS	EFFICACY (LPW)
1000	1000	8.6	116
1500	1500	13.5	111
2000	2000	18.3	109
2500	2500	25.8	97
3000	3000	31.2	96

BASED ON 95+ CRI, 3500K, 40D OPTIC WITH SOFTENING LENS
Lumen output and actual wattage may vary +/- 5%

3.3" ROUND ADJUSTABLE

LUMEN OUTPUT	DELIVERED LUMENS	SYSTEM WATTS	EFFICACY (LPW)
1000	1000	9.3	109
1500	1500	14.0	107

BASED ON 95+ CRI, 3500K, 40D OPTIC WITH SOFTENING LENS
Lumen output and actual wattage may vary +/- 5%

MULTIPLIERS

BEAM ANGLE	
20D	1.24
40D	1.00
60D	0.97
90D	0.91

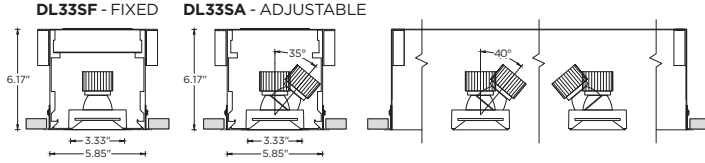
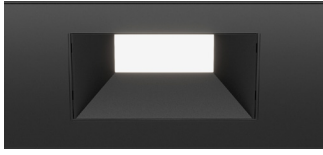
COLOR TEMP	
2700K	0.98
3000K	1.00
3500K	1.00
4000K	1.02

MULTIPLIERS

BEAM ANGLE	
20D	1.27
40D	1.00
60D	0.88

COLOR TEMP	
2700K	0.98
3000K	1.00
3500K	1.00
4000K	1.02

DL33S - 3.3" SQUARE DOWNLIGHT



DOWNLIGHT SIZE: 3.33"
COLOR TEMP: 27K, 30K, 35K, 40K
CRI: 95+
COLOR CONSISTENCY <2 SDCM
UGR: <16

DELIVERED LUMENS: 1000 - 3000 LM *
EFFICACY: 100 - 114 LPW **
WATTAGE: 9.3 - 29.9 W **
L90: 50,000 HOURS

OPTICS: 20°, 40°, 60°, 90°

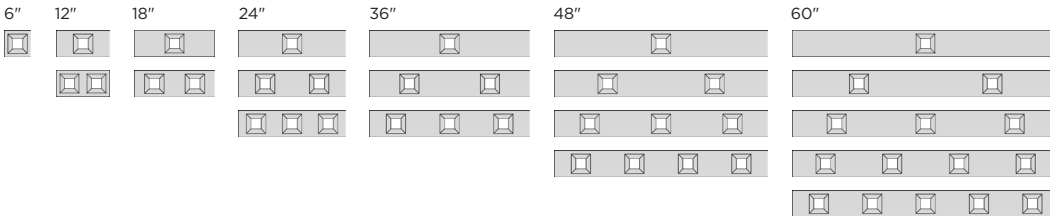
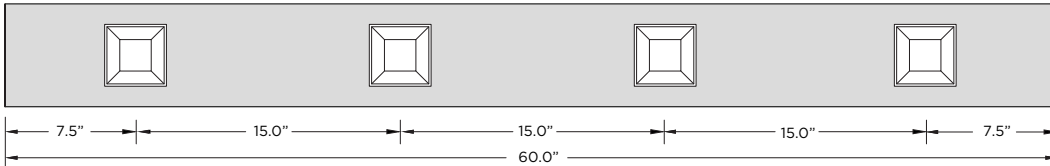
ADJUSTABILITY: 0° - 25° tilt across width
0° - 40° tilt across length
360° lockable rotation

Machined aluminum faceplate with trimless downlight integration
Cast aluminum beveled insert with matte powder coated finish
3.3" aperture with regressed LED source for enhanced glare control
Proprietary anodized, aluminum reflectors are field replaceable (20° reflector not interchangeable)
Softening lens supplied standard

Standard 0-10V, constant current drivers with 100-1% dimming range and >0.9 power factor
Standard 120/277V universal voltage with several driver options
All drivers are integral and easily accessible through luminaire aperture

*Square adjustable available up to 1500 LM
**Based on DL33SF, 95+ CRI, 40° and 35K

NOTE: ON CENTER SPACING = SECTION LENGTH/NUMBER OF DOWNLIGHTS



3.3" SQUARE FIXED

LUMEN OUTPUT	DELIVERED LUMENS	SYSTEM WATTS	EFFICACY (LPW)
1000	1000	9.3	114
1500	1500	13.6	112
2000	2000	18.4	109
2500	2500	23.9	104
3000	3000	29.9	100

BASED ON 95+ CRI, 3500K, 40D OPTIC WITH SOFTENING LENS
Lumen output and actual wattage may vary +/- 5%

3.3" SQUARE ADJUSTABLE

LUMEN OUTPUT	DELIVERED LUMENS	SYSTEM WATTS	EFFICACY (LPW)
1000	1000	9.6	104
1500	1500	15.6	96

BASED ON 95+ CRI, 3500K, 40D OPTIC WITH SOFTENING LENS
Lumen output and actual wattage may vary +/- 5%

MULTIPLIERS

BEAM ANGLE	
20D	1.17
40D	1.00
60D	0.97
90D	0.85

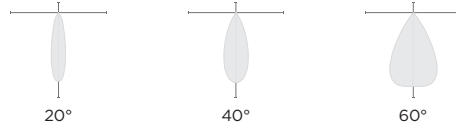
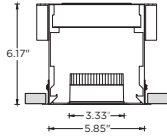
COLOR TEMP	
2700K	0.98
3000K	1.00
3500K	1.00
4000K	1.02

MULTIPLIERS

BEAM ANGLE	
20D	1.25
40D	1.00
60D	0.98

COLOR TEMP	
2700K	0.98
3000K	1.00
3500K	1.00
4000K	1.02

DZ33R - 3.3" ROUND ZOIIE



DOWNLIGHT SIZE: 3.33"
COLOR TEMP: 27K, 30K, 35K, 40K
CRI: 80+, 90+
COLOR CONSISTENCY <2 SDCM
UGR: <10

DELIVERED LUMENS: 1000 - 3000 LM
EFFICACY: 94 - 122 LPW *
WATTAGE: 8.4 - 32.8 W *
L90: 60,000 HOURS

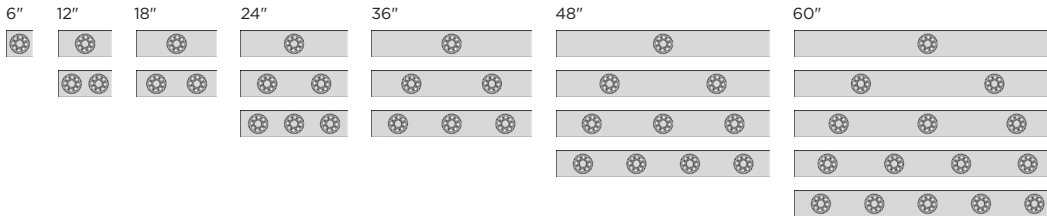
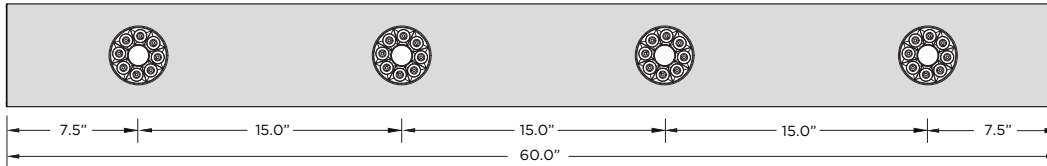
OPTICS: 20°, 40°, 60°

Machined aluminum faceplate with trimless downlight integration
 3.3" aperture with regressed LED source for maximum visual comfort
 High gloss black or white louvers with proprietary optics and no glare
 Proprietary, polycarbonate multi-faceted reflectors (field replaceable)

Standard 0-10V, constant current drivers with 100-1% dimming range and >0.9 power factor
 Standard 120/277V universal voltage with several driver options
 All drivers are integral and easily accessible through luminaire aperture

*Based on 80+ CRI, 40° and 3000K

NOTE: ON CENTER SPACING = SECTION LENGTH/NUMBER OF DOWNLIGHTS



3.3" ROUND ZOIIE

LUMEN OUTPUT	DELIVERED LUMENS	SYSTEM WATTS	EFFICACY (LPW)
1000	1000	8.4	122
1500	1500	13.2	117
2000	2000	18.4	112
2500	2500	25.4	101
3000	3000	32.8	94

BASED 80+ CRI, 30K, 40D OPTIC
 Lumen output and actual wattage may vary +/- 5%

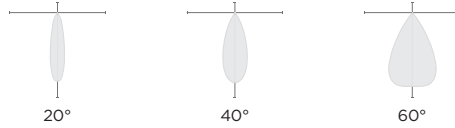
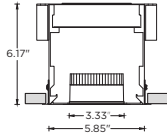
MULTIPLIERS

BEAM ANGLE	
20D	1.05
40D	1.00
60D	0.94

80+ CRI COLOR TEMP	
2700K	N/A
3000K	1.00
3500K	0.97
4000K	1.16

90+ CRI COLOR TEMP	
2700K	0.77
3000K	0.86
3500K	0.86
4000K	N/A

DZ33S - 3.3" SQUARE ZOIE



DOWNLIGHT SIZE: 3.33"
COLOR TEMP: 27K, 30K, 35K, 40K
CRI: 80+, 90+
COLOR CONSISTENCY <2 SDCM
UGR: <10

DELIVERED LUMENS: 1000 - 3000 LM
EFFICACY: 94 - 122 LPW *
WATTAGE: 8.4 - 32.8 W *
L90: 60,000 HOURS

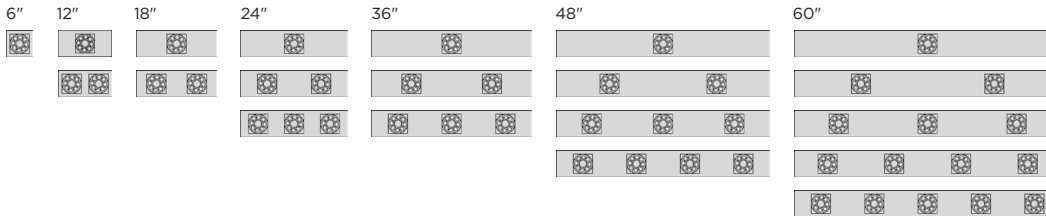
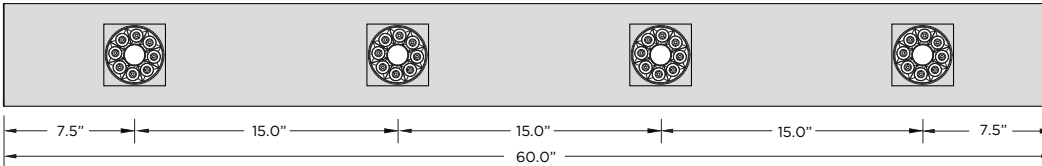
OPTICS: 20°, 40°, 60°

Machined aluminum faceplate with trimless downlight integration
 3.3" aperture with regressed LED source for maximum visual comfort
 High gloss black or white louvers with proprietary optics and no glare
 Proprietary, polycarbonate multi-faceted reflectors (field replaceable)

Standard 0-10V, constant current drivers with 100-1% dimming range and >0.9 power factor
 Standard 120/277V universal voltage with several driver options
 All drivers are integral and easily accessible through luminaire aperture

*Based on 80+ CRI, 40° and 3000K

NOTE: ON CENTER SPACING = SECTION LENGTH/NUMBER OF DOWNLIGHTS



3.3" SQUARE ZOI

LUMEN OUTPUT	DELIVERED LUMENS	SYSTEM WATTS	EFFICACY (LPW)
1000	1000	8.4	122
1500	1500	13.2	117
2000	2000	18.4	112
2500	2500	25.4	101
3000	3000	32.8	94

BASED 80+ CRI, 30K, 40D OPTIC
 Lumen output and actual wattage may vary +/- 5%

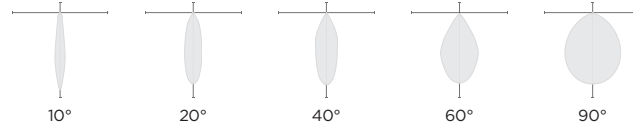
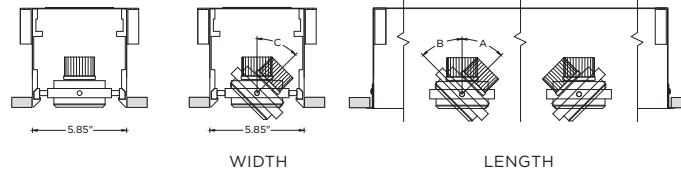
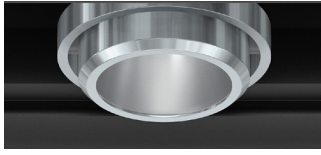
MULTIPLIERS

BEAM ANGLE	
20D	1.05
40D	1.00
60D	0.94

80+ CRI COLOR TEMP	
2700K	N/A
3000K	1.00
3500K	0.97
4000K	1.16

90+ CRI COLOR TEMP	
2700K	0.77
3000K	0.86
3500K	0.86
4000K	N/A

M7 - MADISON DUAL AXIS



GIMBAL APERTURE: 2.75"
COLOR TEMP: 27K, 30K, 35K, 40K
CRI: 95+
COLOR CONSISTENCY <2 SDCM

DELIVERED LUMENS: 1000 - 4000 LM
EFFICACY: 116 - 123 LPW **
WATTAGE: 8.1 - 30.1 W **
L90: 50,000 HOURS

OPTICS: 10°, 20°, 40°, 60°, 90°

ADJUSTABILITY:

LUMEN OUTPUT	A	B	C
Up to 3500lm	45°	45°	30°
4000lm	45°	45°	20°

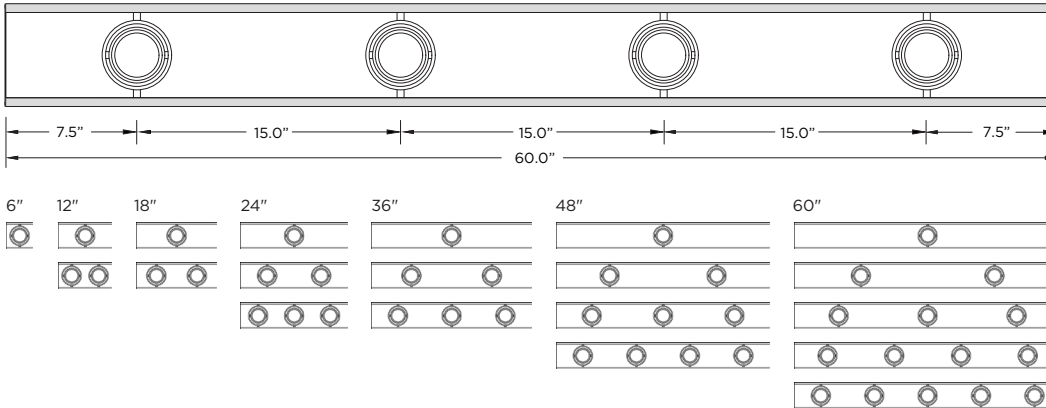
Machined aluminum double gimbal with dual axis adjustability
Each double gimbal can be locked in place
Fixture heads are adjustable in field and can slide 18" in either direction

Regressed LED source for enhanced glare control
Proprietary anodized, aluminum reflectors are field replaceable (10° reflector not interchangeable)

Standard 0-10V, constant current drivers with 100-1% dimming range and >0.9 power factor
Standard 120/277V universal voltage with several driver options
All drivers are integral and easily accessible through luminaire aperture

*Based on 95+ CRI, 40° and 3500K

NOTE: ON CENTER SPACING = SECTION LENGTH/NUMBER OF DOWNLIGHTS



MADISON DUAL AXIS

LUMEN OUTPUT	DELIVERED LUMENS	SYSTEM WATTS	EFFICACY (LPW)
1000	1000	8.5	118
1500	1500	13.3	113
2000	2000	16.9	118
2500	2500	21.4	117
3000	3000	26.8	112
4000	4000	35.6	112

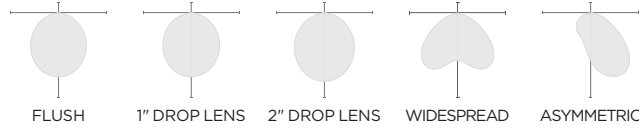
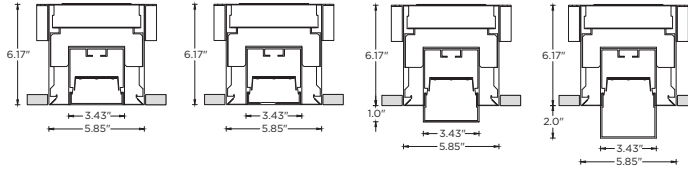
BASED ON 95+ CRI, 35K, 40D OPTIC
Lumen output and actual wattage may vary +/- 5%

MULTIPLIERS

BEAM ANGLE	
10D	1.05
20D	1.03
40D	1.00
60D	1.00
90D	0.90

COLOR TEMP	
2700K	0.98
3000K	1.00
3500K	1.00
4000K	1.02

4LI - 3.5" LINIA



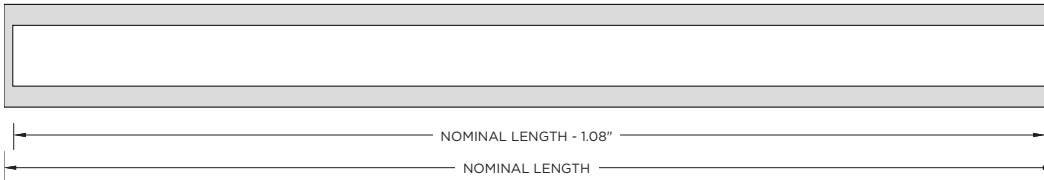
LINEAR APERTURE: 3.43"
COLOR TEMP: 27K, 30K, 35K, 40K
CRI: 80+, 90+
R9 VALUE: 56
COLOR CONSISTENCY <3 SDCM

DELIVERED LUMENS: 250 - 1000 LM/FT
EFFICACY: 138 - 151 LPW *
WATTAGE: 1.7 - 7.3 W/FT *
L90: 60,000 HOURS

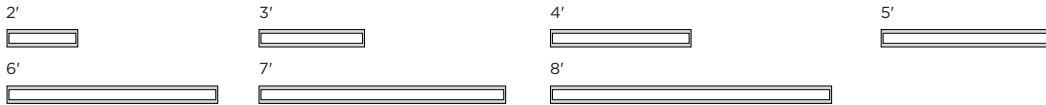
OPTICS: FLUSH,
 1" - 2" DROP LENS,
 WIDESPREAD,
 ASYMMETRIC

Proprietary LED system

Extruded, satin acrylic lens designed for optimal performance and glare control
 Lens options include flush, 1" and 2" drops with illuminated end caps
 High performance asymmetric optics available



Standard 0-10V, constant current drivers with 100-1% dimming range and >0.9 power factor
 Standard 120/277V universal voltage with several driver options
 All drivers are integral and easily accessible through luminaire aperture



*Based on 80+ CRI and 3500K

3.5" LINIA

DELIVERED LUMENS	FLUSH		1" DROP		2" DROP		WIDESPREAD		ASYMMETRIC	
	SYSTEM WATTS	EFFICACY (LPW)	SYSTEM WATTS	EFFICACY (LPW)	SYSTEM WATTS	EFFICACY (LPW)	SYSTEM WATTS	EFFICACY (LPW)	SYSTEM WATTS	EFFICACY (LPW)
250	1.7	145	1.7	151	1.7	146	1.7	144	1.7	144
500	3.4	145	3.3	151	3.4	146	3.5	144	3.5	144
750	5.2	143	5.1	148	5.3	143	5.3	141	5.3	141
1000	7.2	140	6.9	145	7.2	139	7.3	138	7.3	138

DELIVERED LUMENS PER FOOT BASED ON 80+ CRI, 3500K
 Lumen output and actual wattage may vary +/- 5%

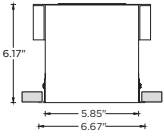
MULTIPLIERS

80+ CRI COLOR TEMP	
2700K	N/A
3000K	0.97
3500K	1.00
4000K	1.02

90+ CRI COLOR TEMP	
2700K	0.78
3000K	0.83
3500K	0.86
4000K	0.88

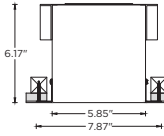
HARD CEILING

WT - TRIM



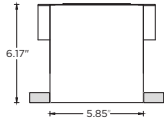
RECOMMENDED CEILING
OPENING 6.30"

**XTR - TRIMLESS
(DRYWALL)**

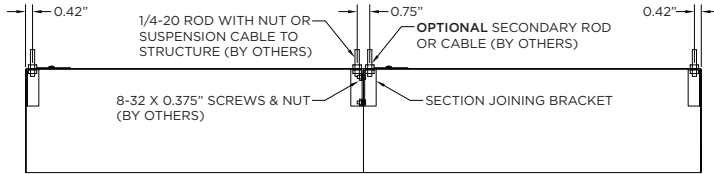


RECOMMENDED CEILING
OPENING 6.20"

FX - FLANGELESS

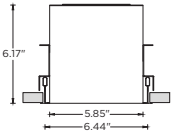


RECOMMENDED CEILING
OPENING 5.95"

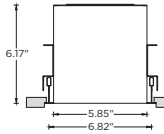


GRID CEILING MOUNTING

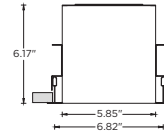
9L - 9/16" LAYIN



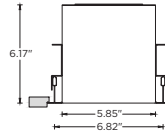
9TG - 9/16" TEGULAR



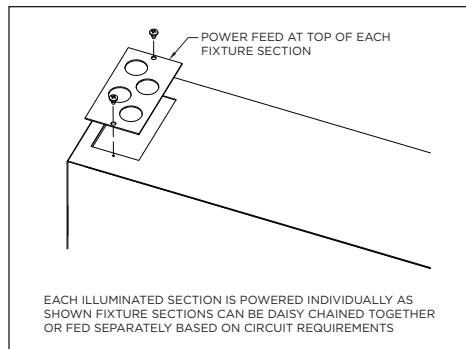
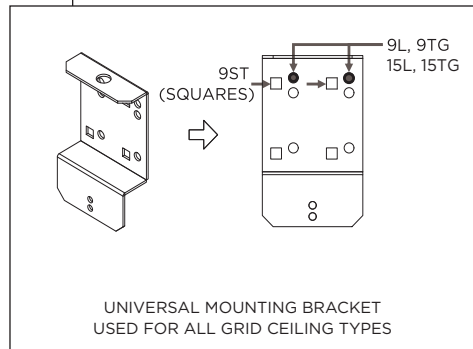
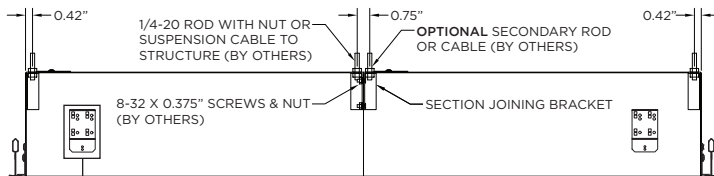
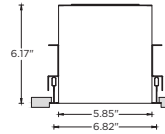
15L - 15/16" LAYIN



15TG - 15/16" TEGULAR



**9ST - 9/16" SLOT TEE
TEGULAR**



HOUSING

IC Housing constructed in extruded aluminum and cold rolled steel
Designed to integrate various illuminated and mechanical options
Individual units and continuous runs available in 1" increments
Standard matte black powder coated finish with optional matte white finish
Aluminum trim flange with matte white powder coated finish and minimal 0.400" overlap
Trimless model features a satin coat mudding flange for seamless ceiling integration
Maximum ceiling thickness of 3.75"

MOUNTING

New construction housing suspended via 1/4" threaded rod or suspension cables (by others)
Trim fixture designed for use in drywall, wood, and other architectural ceiling materials
Trimless fixture designed for use in drywall, mud-in ceiling applications
Flangeless fixture designed for use in wood ceilings
Suitable for various grid ceiling applications (see mounting details)

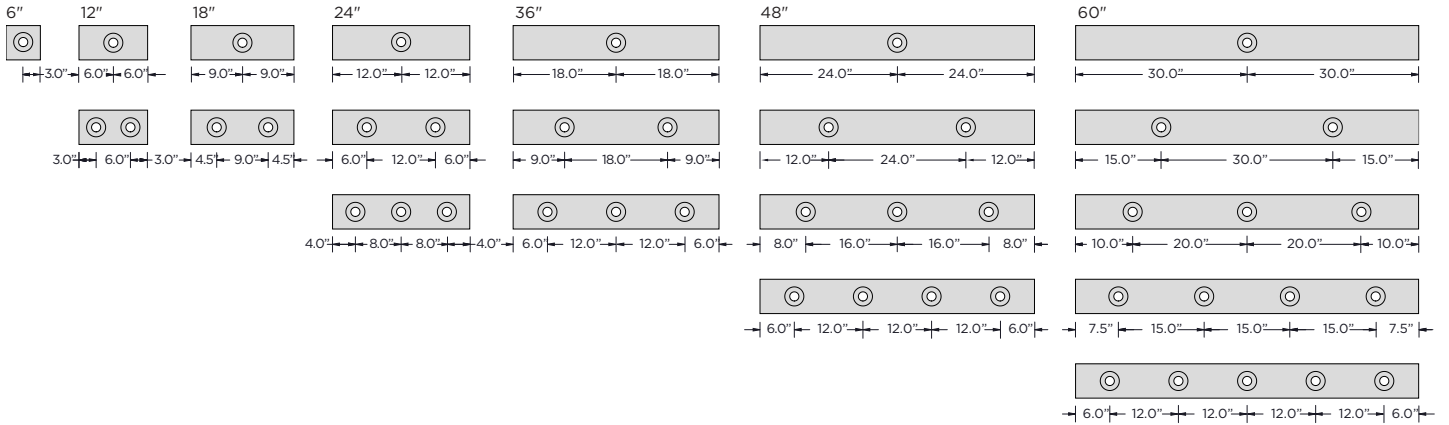
LISTING

ETL listed and conforms to UL1598 standard. Certified to CSA22.2 NO.250.0.
Rated for indoor dry or damp locations
IC rated - Suitable for direct contact with insulation

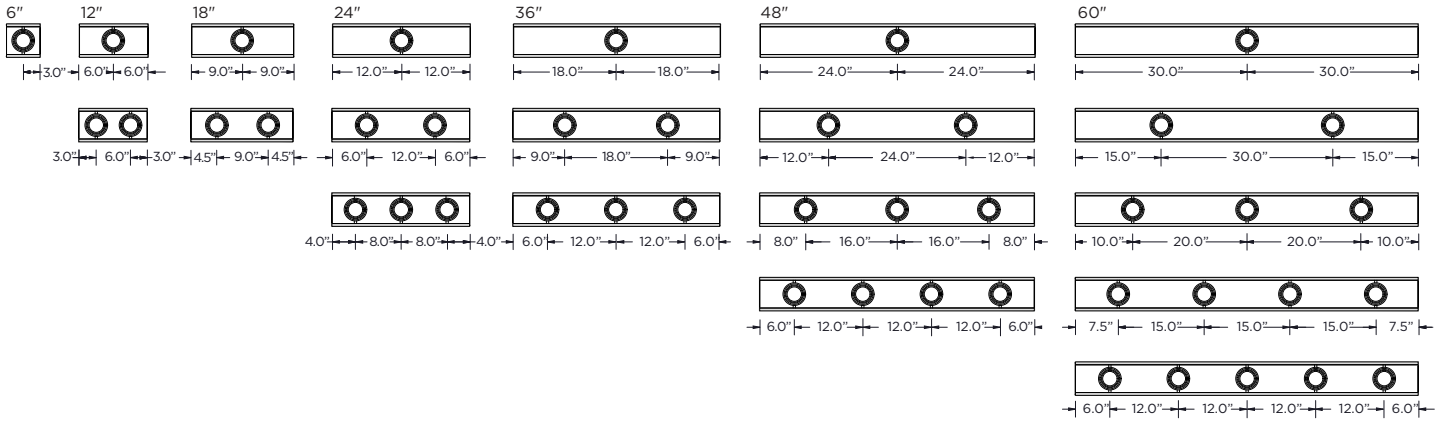
WARRANTY

5 Year Warranty on LED and drivers
Manufacturer 1 Year Warranty for defects in material and workmanship under normal use
Ambient temperature at fixture should not exceed 25°C

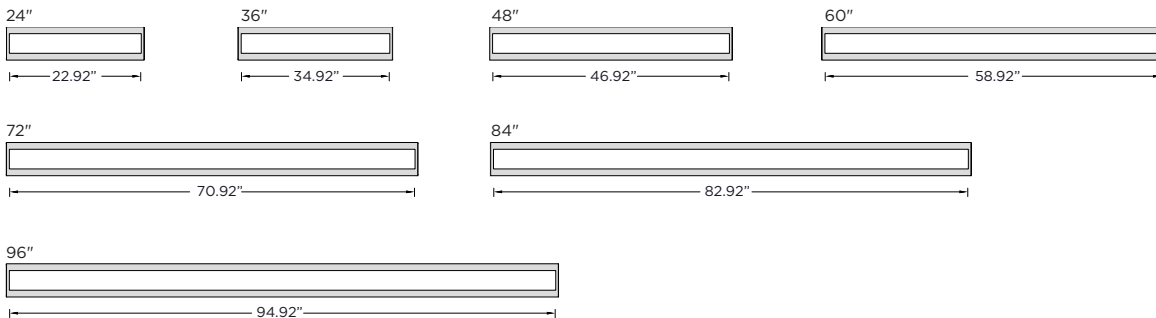
STANDARD DOWNLIGHT SECTIONS AND TYPICAL SPACING (CONSULT 3G FOR CUSTOM CONFIGURATIONS)



STANDARD MADISON GIMBAL SECTIONS AND TYPICAL SPACING (CONSULT 3G FOR CUSTOM CONFIGURATIONS)



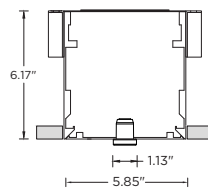
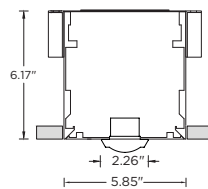
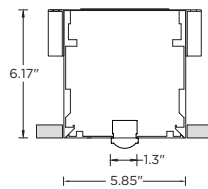
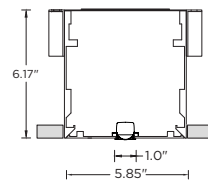
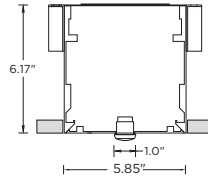
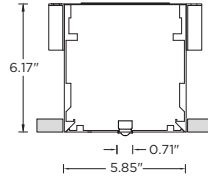
STANDARD LINIA SECTIONS (CONSULT 3G FOR CUSTOM CONFIGURATIONS)



OS - OCCUPANCY SENSOR



Machined aluminum faceplate and adapting hardware by 3G
Faceplate powder coated to match housing finish
5.85" x 6.00" long section
Occupancy sensor by others



OSV
SENSORSWITCH VERTEX
Wireless daylight and occupancy sensor
Compatible with 0-10V (100-1%) & (100-0.1%)

[SPEC SHEET](#)

OSM
ENLIGHTED MICRO SENSOR - SU-5E
Wireless daylight and occupancy sensor
Compatible with 0-10V (100-1%) & (100-0.1%)

[SPEC SHEET](#)

OSE
ENCELUM EN-CLM-PIR-DD-ZB
Wireless daylight and occupancy sensor
Compatible with 0-10V (100-1%) & DALI

[SPEC SHEET](#)

OSR
nLIGHT RES7
Wireless daylight and occupancy sensor
Compatible with 0-10V (100-1%) & (100-0.1%)

[SPEC SHEET](#)

OSF
LEGRAND FS-355
Wired daylight and occupancy sensor
Compatible with 0-10V, Dali, Forward Phase, Ecosystem

[SPEC SHEET](#)

OSA
LUTRON ATHENA
Wireless daylight and occupancy sensor
Compatible with 0-10V (100-1%) & DALI

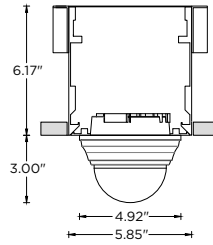
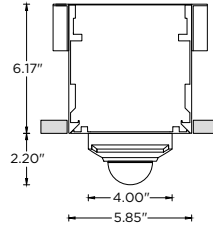
[SPEC SHEET](#)

NOTES:
All integrated component photos may vary from items shown on this specification sheet
Manufacturers or models not shown may be compatible with this 3Gi system
Please contact 3G for other options and custom configurations

CM - CAMERA



Machined aluminum faceplate and adapting hardware by 3G
Faceplate powder coated to match housing finish
5.85" x 6.00" long section
Camera by others



CMA

AXIS - M3086-V DOME CAMERA
175° rotation, 80° tilt and 175° pan
Resolution: up to 2688 x 1512 pixels

[SPEC SHEET](#)

CMH

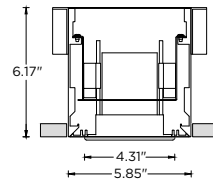
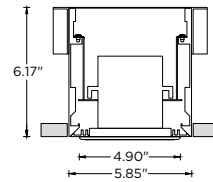
HONEYWELL - H3D2F1X
360° rotation, 180° tilt and 360° pan
Resolution: up to 1920 x 1080 pixels

[SPEC SHEET](#)

SP - SPEAKER



Machined aluminum faceplate and adapting hardware by 3G
Faceplate powder coated to match housing finish
5.85" x 6.00" long section
Speaker by others



SPS

SONANCE - VP38R
100W Peak, 75Hz - 20kHz, +/-3 dB
Sensitivity: 83 dB

[SPEC SHEET](#)

SPO

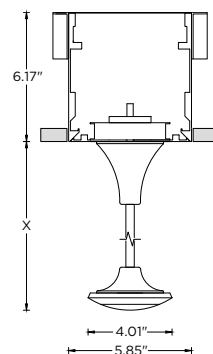
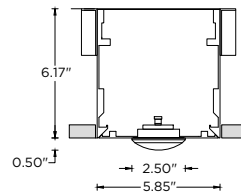
ORIGIN ACOUSTICS D39
100W Peak, 100Hz - 20kHz
Sensitivity: 84 dB

[SPEC SHEET](#)

MC - MICROPHONE (BY OTHERS)



Machined aluminum faceplate and adapting hardware by 3G
Faceplate powder coated to match housing finish
5.85" x 6.00" long section
Microphone by others



MCA

AUDIX - M70

[SPEC SHEET](#)

MCL

LOGITECH - RALLY MIC POD

[SPEC SHEET](#)

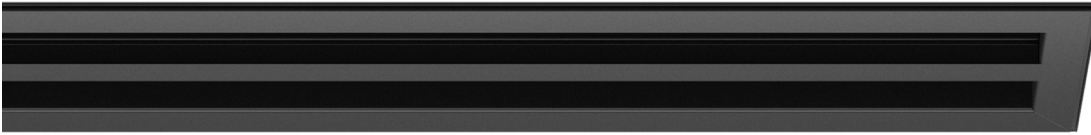
NOTES:

All integrated component photos may vary from items shown on this specification sheet
Manufacturers or models not shown may be compatible with this 3Gi system
Please contact 3G for other options and custom configurations

LINEAR HVAC DIFFUSER INTEGRATION
(ALL COMPONENTS SUPPLIED BY OTHERS)

Machined aluminum faceplate provided by 3G with cut-out opening suitable for various HVAC models
 Typical diffuser integration shown. Various models compatible with Krueger, Nailor, Price, Titus and Tuttle & Bailey
 All components including plenum inlet and diffuser by others
 Available in 2', 3', 4, and 5' lengths as standard
 Please contact 3G for other options, custom lengths or custom configurations

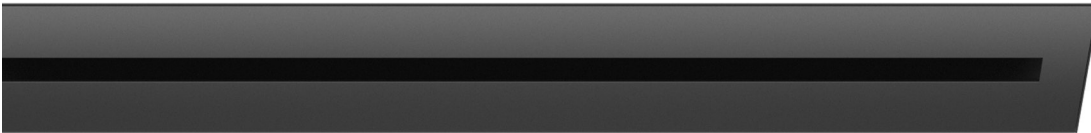
2 SLOT DIFFUSER



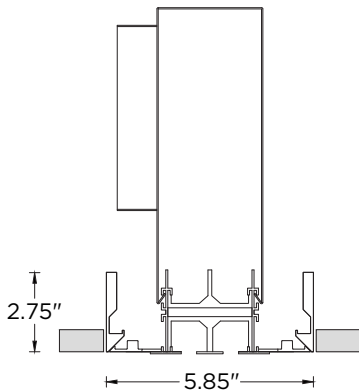
1 SLOT DIFFUSER



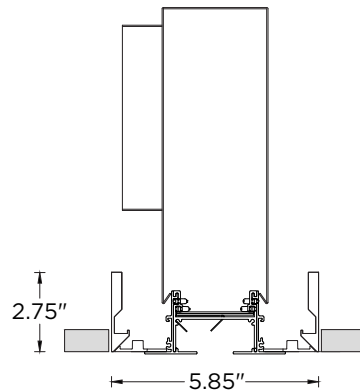
TRIMLESS SLOT DIFFUSER



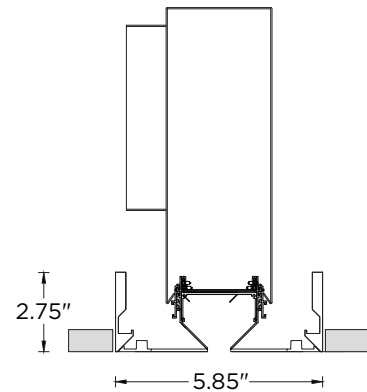
2 SLOT DIFFUSER*



1 SLOT DIFFUSER*

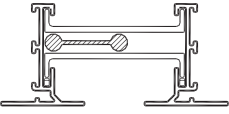
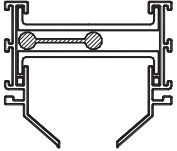


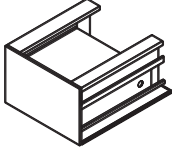
TRIMLESS SLOT DIFFUSER*



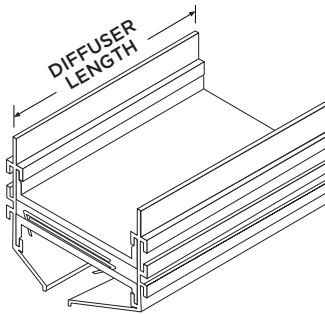
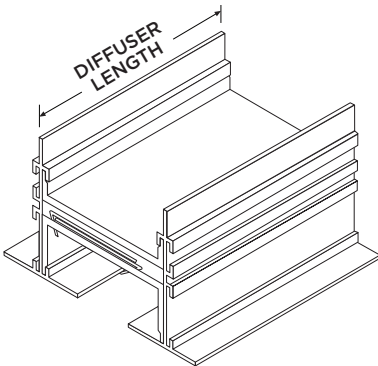
*plenum inlet and diffuser supplied and installed by others
 see standard models and compatibility list on following pages

TITUS DIFFUSER MODEL SELECTION
(ALL COMPONENTS SUPPLIED BY OTHERS)

	DIFFUSER MODEL	BORDER TYPE	END CONDITION
	FL10	66	ECXX
	FL15	66	ECXX
	DIFFUSER MODEL	BORDER TYPE	END CONDITION
	FL10	55	ECXX
	FL15	55	ECXX
	FL20	55	ECXX

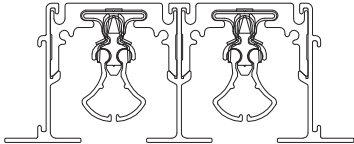
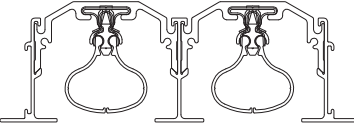
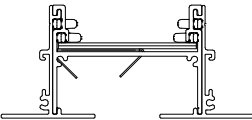
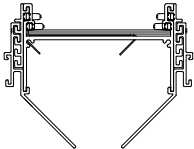
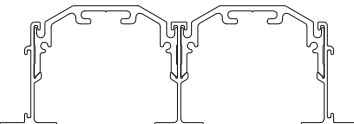
END CONDITION	
ECXX	

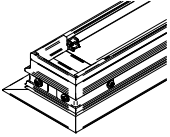
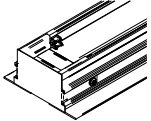
NOTE: DIFFUSER LENGTH MUST BE 1.50" SHORTER THAN NOMINAL LENGTH

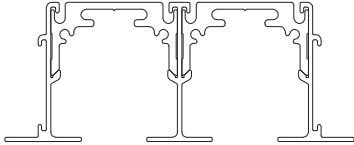


NOMINAL HVAC LENGTH	DIFFUSER LENGTH
24"	22.5" MAX
36"	34.5" MAX
48"	46.5" MAX
60"	58.5" MAX

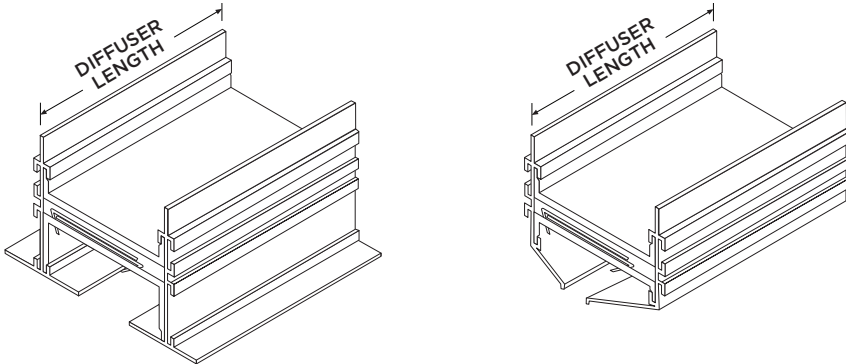
PRICE DIFFUSER MODEL SELECTION
(ALL COMPONENTS SUPPLIED BY OTHERS)

	DIFFUSER MODEL	BORDER TYPE	END CONDITION
	SDS50/1	9A	X-X
	SDS50/1	14	Z-Z
	SDS50/1	916	Z-Z
	SDS75/1	9A	X-X
	SDS75/1	14	Z-Z
	SDS75/1	916	Z-Z
	SDS100/1	9A	X-X
	SDS100/1	14	Z-Z
	SDS100/1	916	Z-Z
	SDS50/2	9A	X-X
	SDS50/2	14	Z-Z
	SDS50/2	916	Z-Z
	SDS75/2	9A	X-X
	SDS75/2	14	Z-Z
	SDS75/2	916	Z-Z
SDS100/2	9A	X-X	
SDS100/2	14	Z-Z	
SDS100/2	916	Z-Z	
	DIFFUSER MODEL	BORDER TYPE	END CONDITION
	SDS150	9A	X-X
	SDS150	14	Z-Z
SDS150	916	Z-Z	
	DIFFUSER MODEL	BORDER TYPE	END CONDITION
	CF-1x1.0"SLOT	EF	X-X
	CF-1x1.5"SLOT	EF	X-X
	DIFFUSER MODEL	BORDER TYPE	END CONDITION
	CF-1.0"SLOT	VF	X-X
	CF-1.5"SLOT	VF	X-X
	DIFFUSER MODEL	BORDER TYPE	END CONDITION
	SDR150	9A	X-X
	SDR150	14	Z-Z
SDR150	916	Z-Z	

END CONDITION	
X-X	
Z-Z	

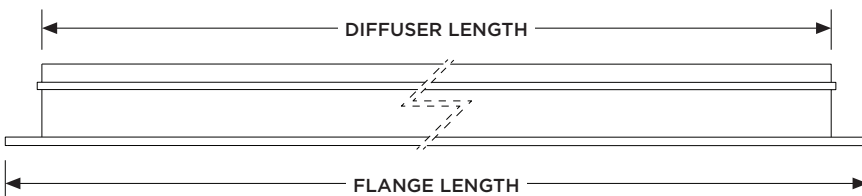
	DIFFUSER MODEL	BORDER TYPE	END CONDITION
	SDR50/1	9A	X-X
	SDR50/1	14	Z-Z
	SDR50/1	916	Z-Z
	SDR75/1	9A	X-X
	SDR75/1	14	Z-Z
	SDR75/1	916	Z-Z
	SDR100/1	9A	X-X
	SDR100/1	14	Z-Z
	SDR100/1	916	Z-Z
	SDR50/2	9A	X-X
	SDR50/2	14	Z-Z
	SDR50/2	916	Z-Z
	SDR75/2	9A	X-X
	SDR75/2	14	Z-Z
	SDR75/2	916	Z-Z
	SDR100/2	9A	X-X
SDR100/2	14	Z-Z	
SDR100/2	916	Z-Z	

NOTE: DIFFUSER LENGTH MUST BE 1.50" SHORTER THAN NOMINAL LENGTH



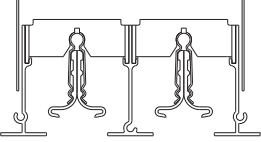
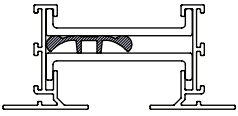
NOMINAL HVAC LENGTH	DIFFUSER LENGTH
24"	22.5" MAX
36"	34.5" MAX
48"	46.5" MAX
60"	58.5" MAX


NOTE: FLANGE LENGTH CANNOT EXCEED NOMINAL LENGTH



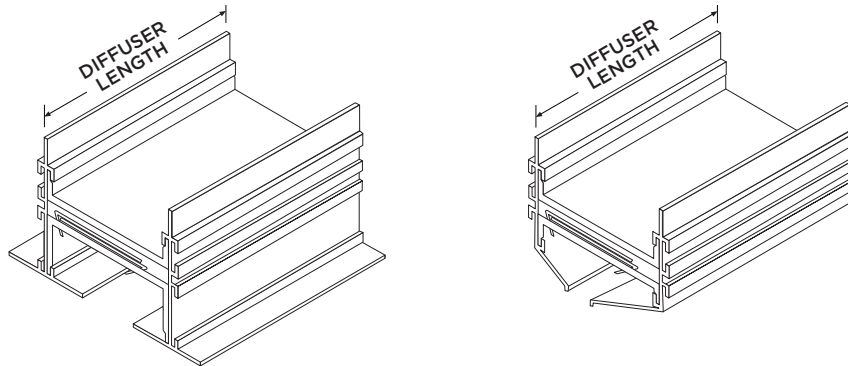
NOMINAL HVAC LENGTH	FLANGE LENGTH
24"	24" MAX
36"	36" MAX
48"	48" MAX
60"	60" MAX

KREUGER DIFFUSER MODEL SELECTION
(ALL COMPONENTS SUPPLIED BY OTHERS)

	DIFFUSER MODEL	BORDER TYPE	END CONDITION
	1950/1	A	E
	1950/2	A	E
	1975/1	A	E
	1975/2	A	E
	1910/1	A	E
	1910/2	A	E
	1915/1	A	E
1920/1	A	E	
	DIFFUSER MODEL	BORDER TYPE	END CONDITION
	DFL/1	FF	E
	DFL/1.5	FF	E

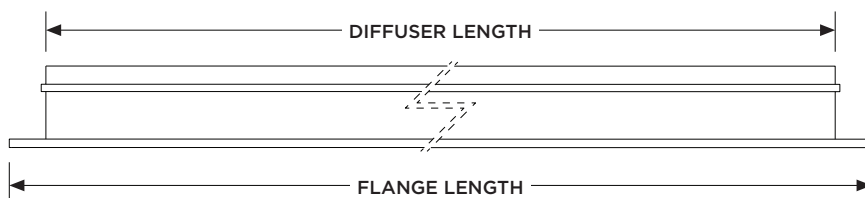
END CONDITION	
E	

NOTE: DIFFUSER LENGTH MUST BE 1.50" SHORTER THAN NOMINAL LENGTH



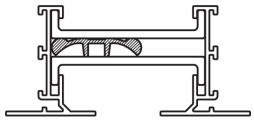
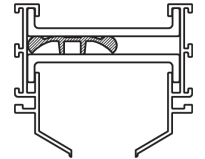
NOMINAL HVAC LENGTH	DIFFUSER LENGTH
24"	22.5" MAX
36"	34.5" MAX
48"	46.5" MAX
60"	58.5" MAX

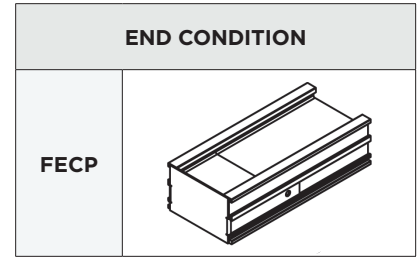
NOTE: FLANGE LENGTH CANNOT EXCEED NOMINAL LENGTH



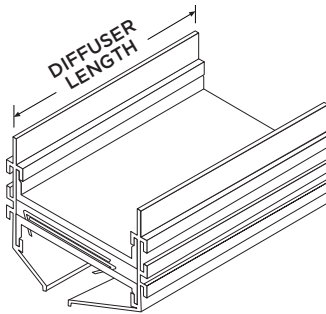
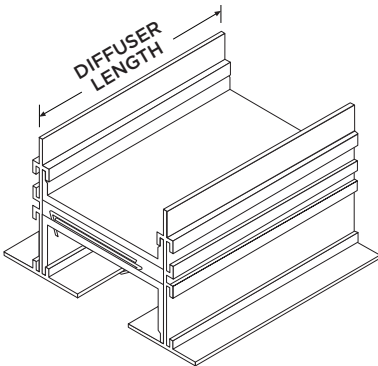
NOMINAL HVAC LENGTH	FLANGE LENGTH
24"	24" MAX
36"	36" MAX
48"	48" MAX
60"	60" MAX

TUTTLE & BAILEY DIFFUSER MODEL SELECTION
(ALL COMPONENTS SUPPLIED BY OTHERS)

	DIFFUSER MODEL	BORDER TYPE	END CONDITION
	AIR-TRAC/1	B	FECF
	AIR-TRAC/1.5	B	FECF
	DIFFUSER MODEL	BORDER TYPE	END CONDITION
	AIR-TRAC/1	N	FECF
	AIR-TRAC/1.5	N	FECF
	AIR-TRAC/2	N	FECF

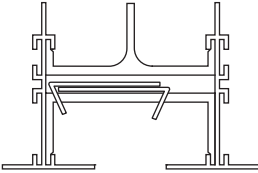
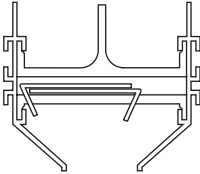


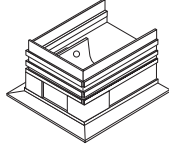
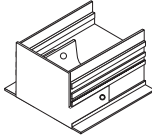
NOTE: DIFFUSER LENGTH MUST BE 1.50" SHORTER THAN NOMINAL LENGTH



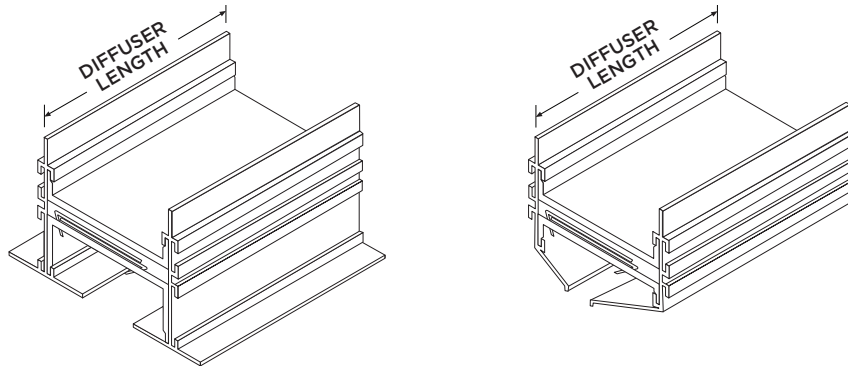
NOMINAL HVAC LENGTH	DIFFUSER LENGTH
24"	22.5" MAX
36"	34.5" MAX
48"	46.5" MAX
60"	58.5" MAX

NAILOR DIFFUSER MODEL SELECTION
(ALL COMPONENTS SUPPLIED BY OTHERS)

	DIFFUSER MODEL	BORDER TYPE	END CONDITION
	FLH10/1	AA	MM
	FLH15/1	AA	MM
	FLR10/1	AA	MM
	FLR15/1	AA	MM
	FLV10/1	AA	MM
FLV15/1	AA	MM	
	DIFFUSER MODEL	BORDER TYPE	END CONDITION
	FLH10/1	KK	CC
	FLH15/1	KK	CC
	FLH20/1	KK	CC
	FLV10/1	KK	CC
	FLV20/1	KK	CC

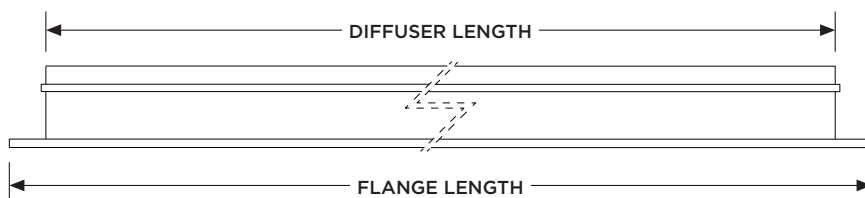
END CONDITION	
MM	
CC	

NOTE: DIFFUSER LENGTH MUST BE 1.50" SHORTER THAN NOMINAL LENGTH



NOMINAL HVAC LENGTH	DIFFUSER LENGTH
24"	22.5" MAX
36"	34.5" MAX
48"	46.5" MAX
60"	58.5" MAX

NOTE: FLANGE LENGTH CANNOT EXCEED NOMINAL LENGTH

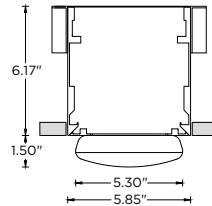
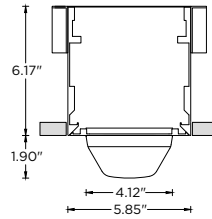


NOMINAL HVAC LENGTH	FLANGE LENGTH
24"	24" MAX
36"	36" MAX
48"	48" MAX
60"	60" MAX

SD - SMOKE DETECTOR



Machined aluminum faceplate and adapting hardware by 3G
Faceplate powder coated to match housing finish
5.85" x 6.00" long section
Smoke detector by others



SDE EDWARDS - SIGA-PCD
Smoke + carbon monoxide detection
Wired

SPEC SHEET

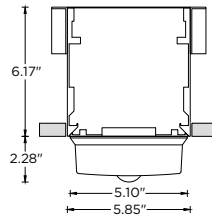
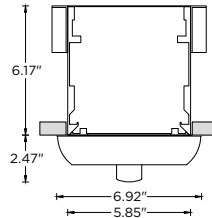
SDG GOOGLE NEST PROTECT AND CO ALARM
Smoke + carbon monoxide detection
Wired

SPEC SHEET

ST - FIRE STROBE



Machined aluminum faceplate and adapting hardware by 3G
Faceplate powder coated to match housing finish
5.85" x 6.00" long section
Fire strobe by others



STS SYSTEM SENSOR - L-SERIES - PC2WL
Strobe Horn
Wired, mounts to a junction box

SPEC SHEET

STK KIDDE P4010ACLEDSCOCA
Fire Strobe + Smoke + carbon monoxide detection
Wired, mounts to a junction box

SPEC SHEET

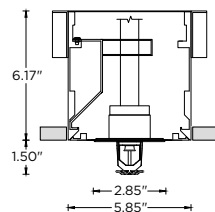
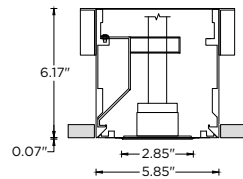
FS - FIRE SPRINKLER CONCEALED



FS - FIRE SPRINKLER EXPOSED



Machined aluminum faceplate and adapting hardware by 3G
Faceplate powder coated to match housing finish
5.85" x 6.00" long section
Fire sprinkler by others



FSV VIKING VK462
Standard and concealed

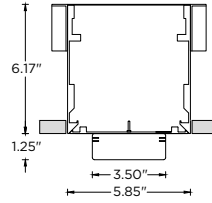
SPEC SHEET

NOTES:
All integrated component photos may vary from items shown on this specification sheet
Manufacturers or models not shown may be compatible with this 3Gi system
Please contact 3G for other options and custom configurations

WF - WIFI ACCESS POINT



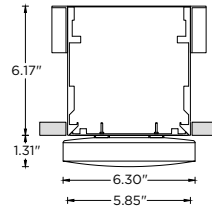
Machined aluminum faceplate and adapting hardware by 3G
Faceplate powder coated to match housing finish
5.85" x 6.00" long section
Wifi access point by others



WFC

CISCO 145AC
2.4GHz & 5GHz
Up to 867 Mbps

SPEC SHEET



WFE

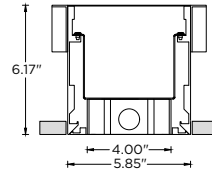
ENGENIUS - EWS357AP
2.4 GHz & 5GHz
Up to 1200 Mbps

SPEC SHEET

JB - JUNCTION BOX



Machined aluminum faceplate and adapting hardware by 3G
Faceplate powder coated to match housing finish
5.85" x 6.00" long section
Junction box by others



JBO

Standard octagonal J-box
4.00" diam x 1.50" deep

SPEC SHEET

NOTES:

All integrated component photos may vary from items shown on this specification sheet
Manufacturers or models not shown may be compatible with this 3Gi system
Please contact 3G for other options and custom configurations