

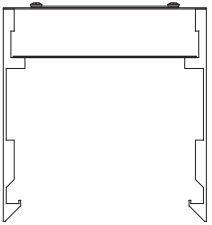
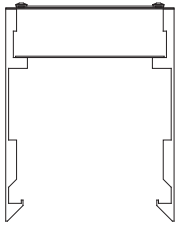
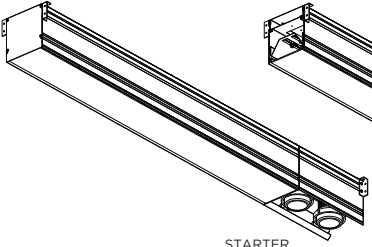
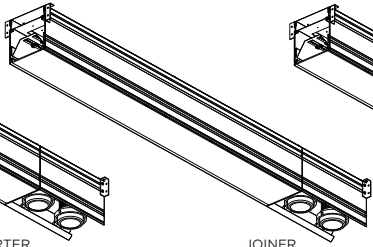
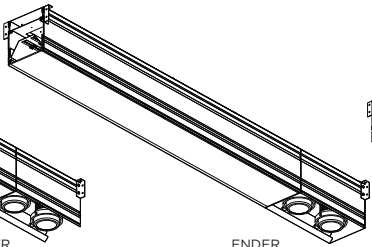
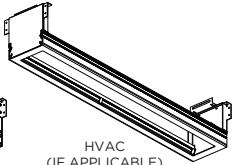
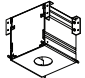






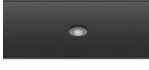





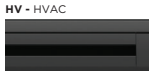






3Gi-58RSL, 3Gi-48RSL
5.8", and 4.8" INTEGRATED RECESSED SLOT
 FLANGELESS/TRIM FLANGE



⚠ FOR **NEW CONSTRUCTION** INSTALLATION ONLY

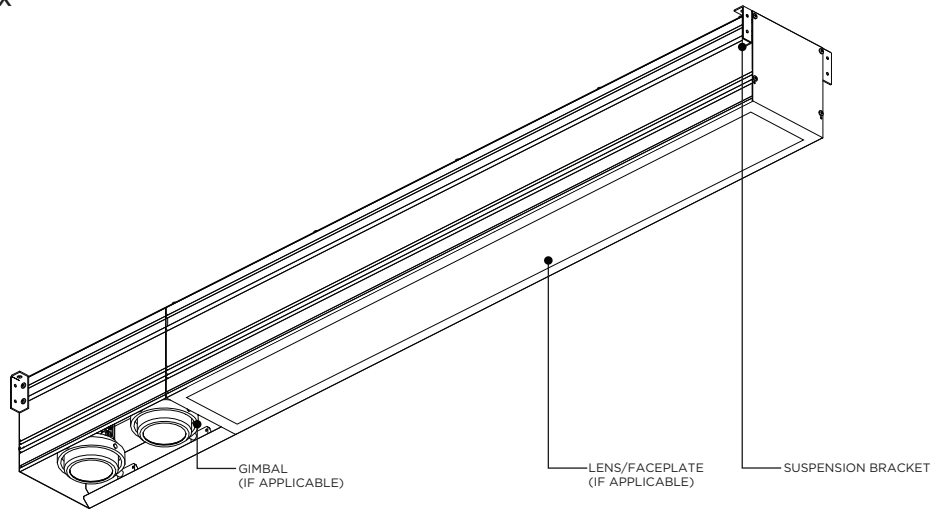
ℹ THE IMAGES SHOWN ARE FOR ILLUSTRATION PURPOSES ONLY AND MAY NOT BE AN EXACT REPRESENTATION OF THE PRODUCT

FIXTURE TYPES		INCLUDED COMPONENTS						
<p>58RSL PROFILE</p> 	<p>48RSL PROFILE</p> 	 <p>STARTER</p>	 <p>JOINER</p>	 <p>ENDER</p>	 <p>HVAC (IF APPLICABLE)</p>	 <p>6" MECHANICAL OPTION (IF APPLICABLE)</p>		
ILLUMINATED OPTIONS		INTEGRATED MECHANICAL OPTIONS						
<p>DL33R - 3.3" ROUND DOWNLIGHT</p> 	<p>DL33S - 3.3" SQUARE DOWNLIGHT</p> 	<p>DZ33R - 3.3" ROUND ZONE</p> 	<p>DZ33S - 3.3" SQUARE ZONE</p> 	<p>CM - CAMERA</p> 	<p>SP - SPEAKER</p> 	<p>OS - OCCUPANCY SENSOR</p> 	<p>WF - WIFI ACCESS POINT</p> 	<p>MC - MICROPHONE</p> 
<p>M7 - MADISON DUAL AXIS</p> 	<p>4LI - 3.5" LINIA</p> 	<p>2LI - 2" LINIA</p> 	<p>HV - HVAC</p> 	<p>SD - SMOKE DETECTOR</p> 	<p>ST - FIRE STROBE</p> 	<p>FS - FIRE SPRINKLER</p> 	<p>JB - JUNCTION BOX</p> 	

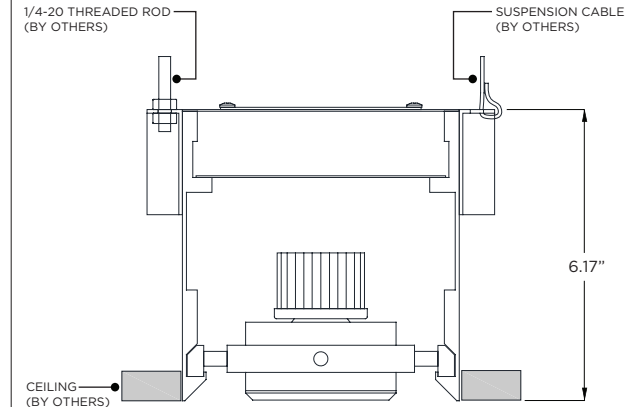
INSTRUCTION KEY	INFORMATION
⚠	ADDITIONAL
ℹ	ATTENTION
⚡	POWER ON
ⓧ	POWER OFF
	<p>INSTALLATION SHOULD ONLY BE PERFORMED BY A CERTIFIED ELECTRICIAN REFER TO LOCAL/NATIONAL CODES FOR PROPER INSTALLATION FAILURE TO FOLLOW INSTALLATION INSTRUCTION MAY VOID THE WARRANTY DO NOT TOUCH LEDS. LEDS MUST BE PROTECTED FROM MECHANICAL STRESS OR DEBRIS TURN OFF POWER DURING INSTALLATION OR SERVICING</p>

OVERVIEW

FLANGELESS - FX



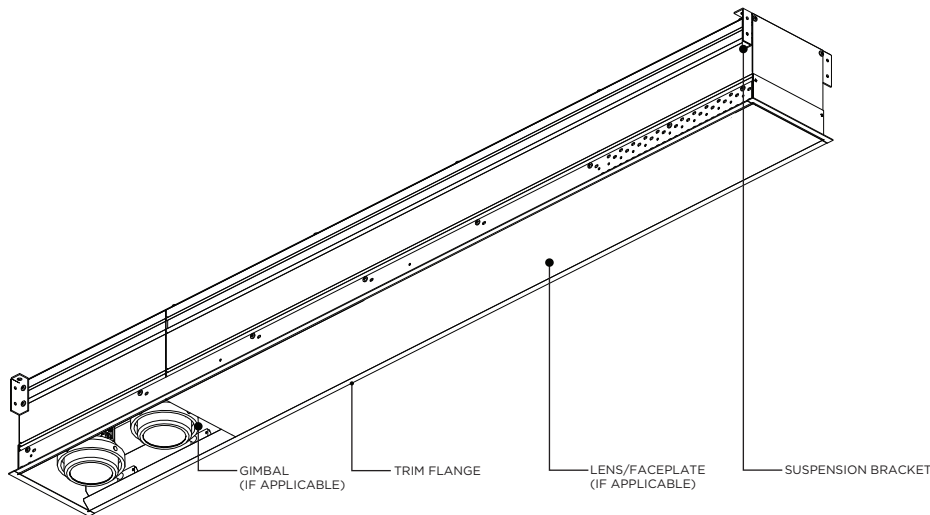
i ALL INTEGRATED MECHANICAL OPTIONS ARE PROVIDED AS 6" SECTIONS



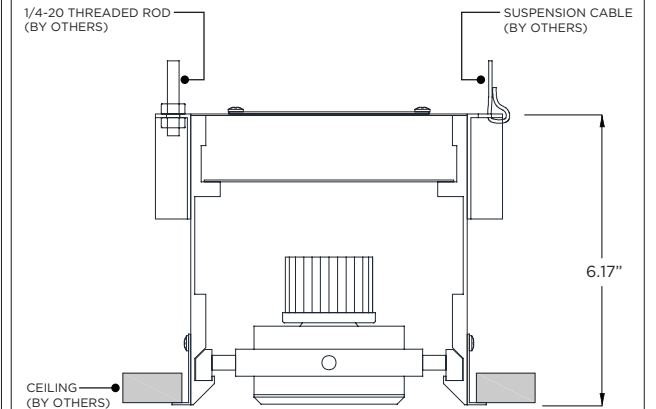
FLANGELESS - FX - CEILING CUT-OUT DIMENSIONS

FIXTURE TYPE	WIDTH	LENGTH
3Gi-48RSL	4.95"	LENGTH + 0.02"
3Gi-58RSL	5.95"	LENGTH + 0.05"

WHITE TRIM FLANGE - WT



i ALL INTEGRATED MECHANICAL OPTIONS ARE PROVIDED AS 6" SECTIONS

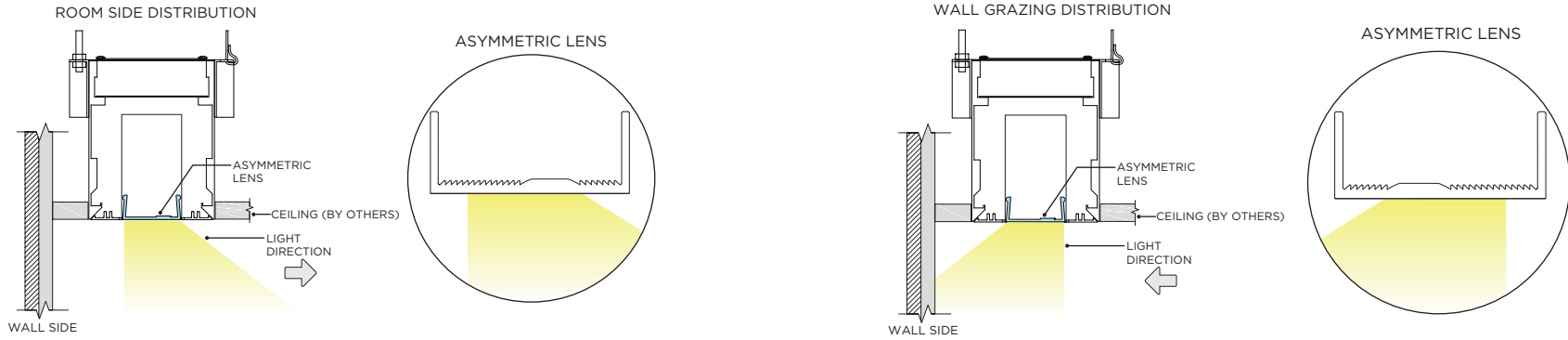


TRIM FLANGE - WT - CEILING CUT-OUT DIMENSIONS

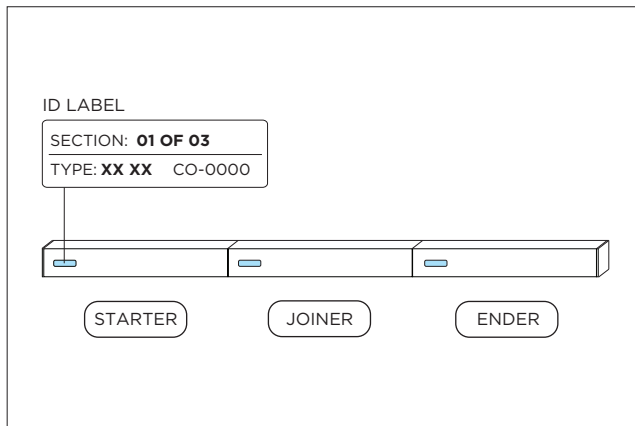
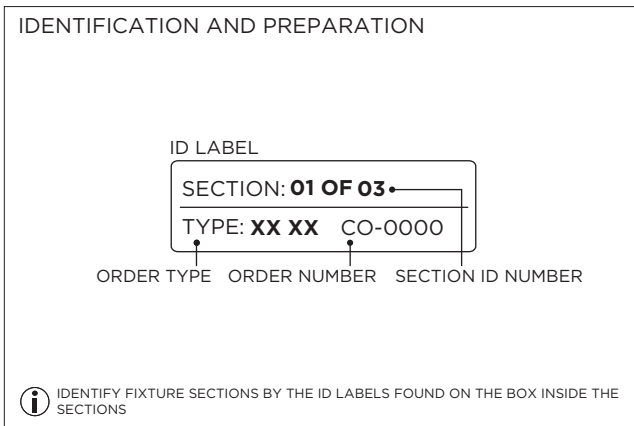
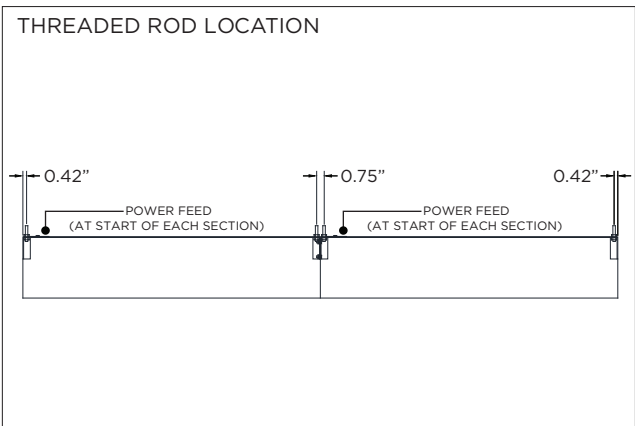
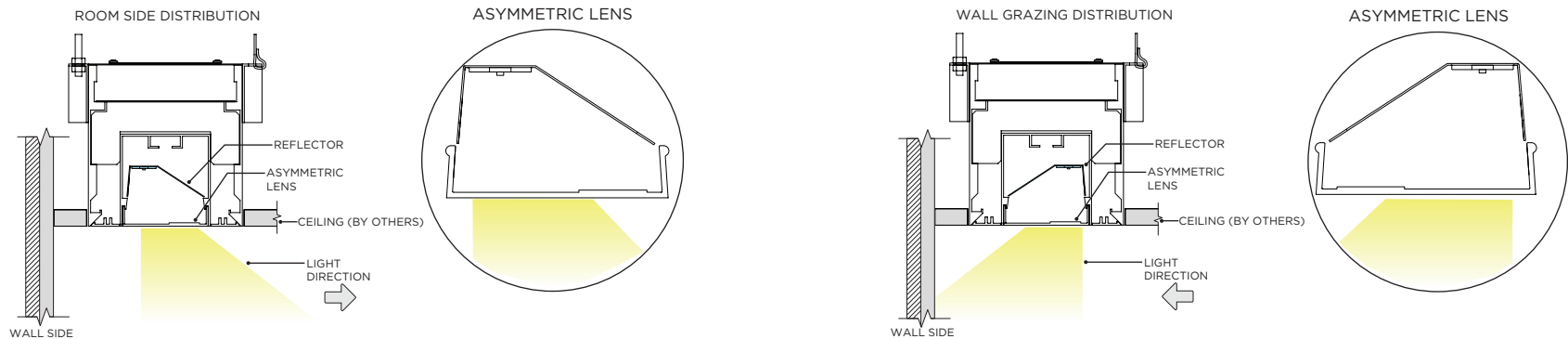
FIXTURE TYPE	WIDTH	LENGTH
3Gi-48RSL	4.85"	LENGTH + 0.35"
3Gi-58RSL	6.30"	LENGTH + 0.40"

ASYMMETRIC LENS ORIENTATION

3Gi-2" LINEAR - ASYMMETRIC LENS/REFLECTOR ORIENTATION



3Gi-4" LINEAR - ASYMMETRIC LENS/REFLECTOR ORIENTATION

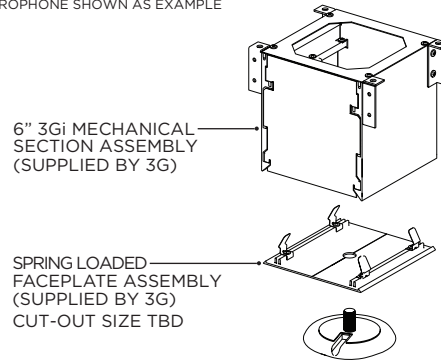


1 INTEGRATED MECHANICAL COMPONENTS



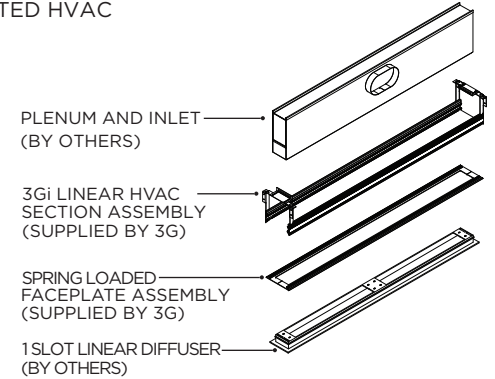
i ALL INTEGRATED MECHANICAL COMPONENTS ARE NOT INSTALLED BY 3G

2 MICROPHONE SHOWN AS EXAMPLE

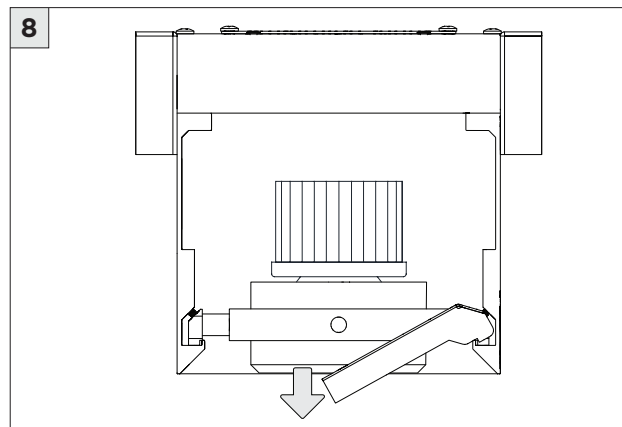
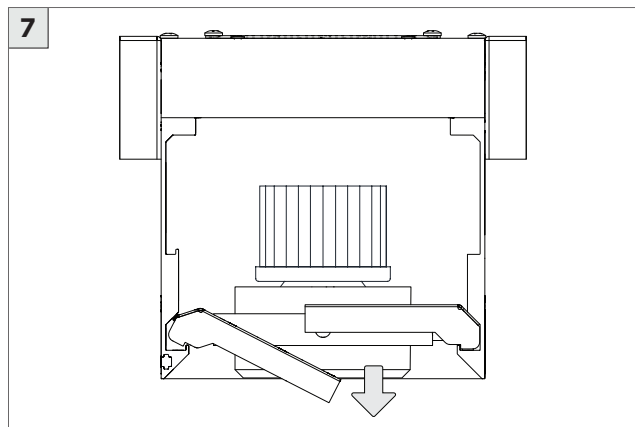
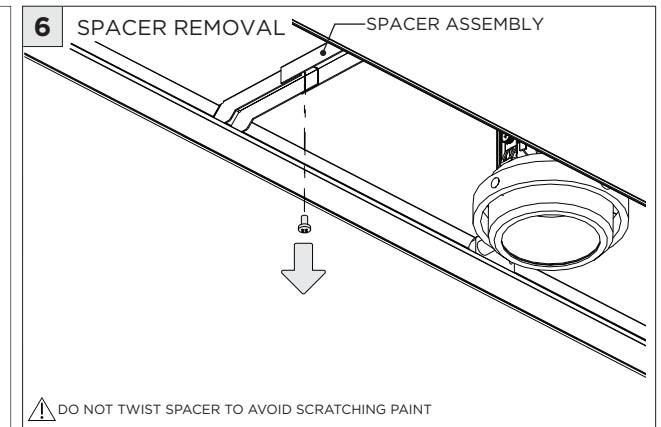
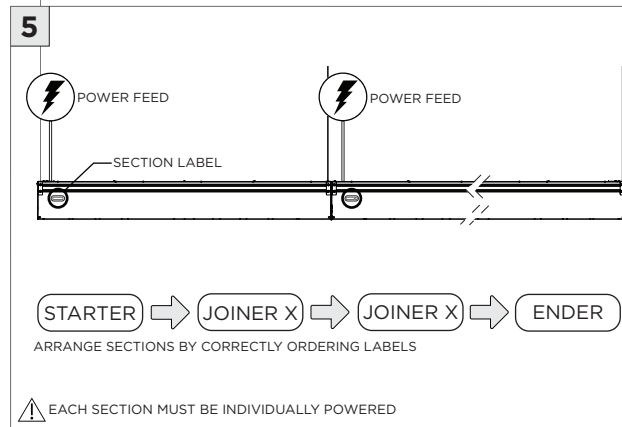
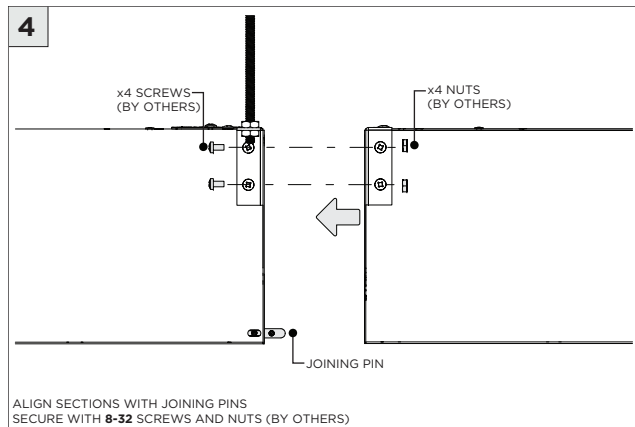
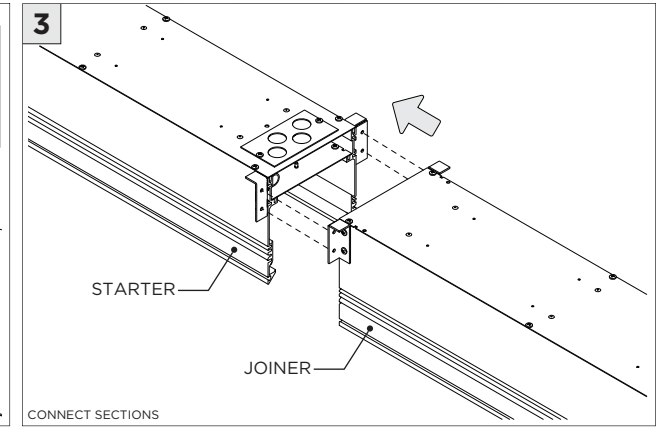
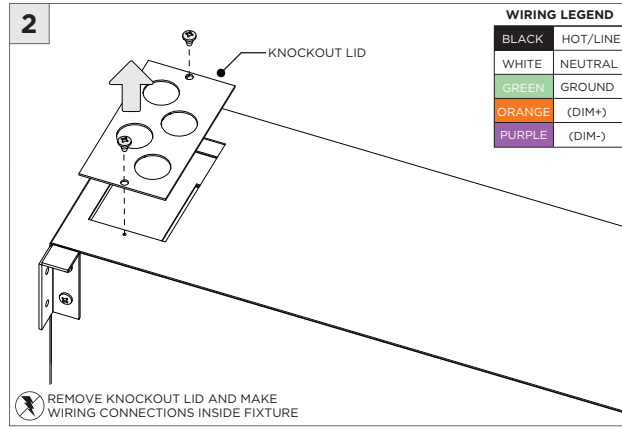
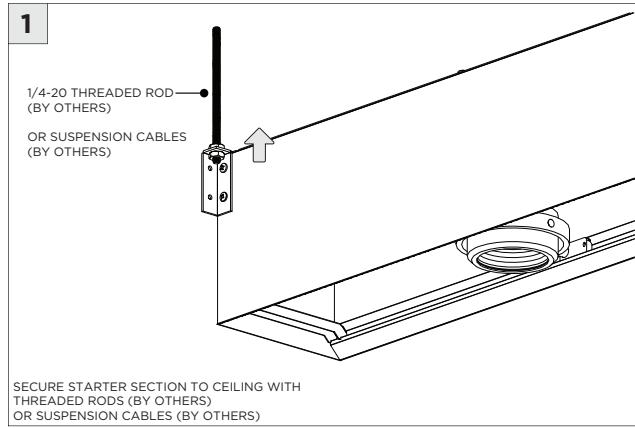


UNCLIP FACEPLATE FROM HOUSING TO ACCESS INSIDE OF HOUSING SECTION

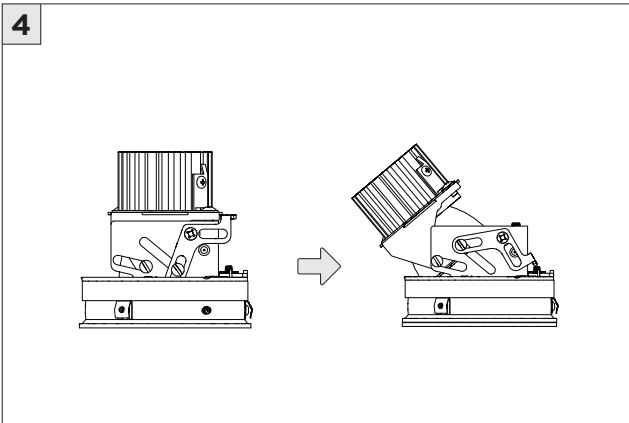
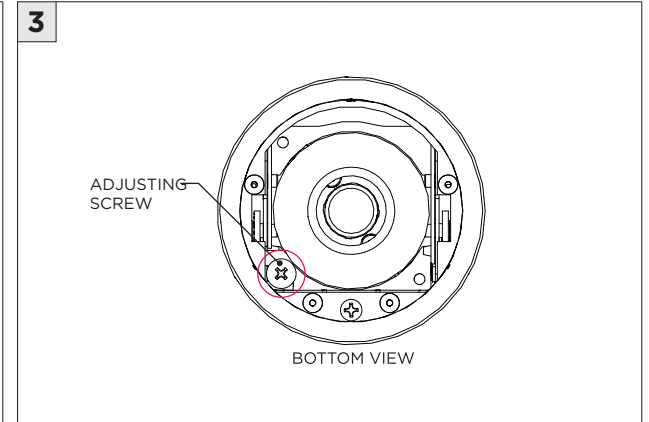
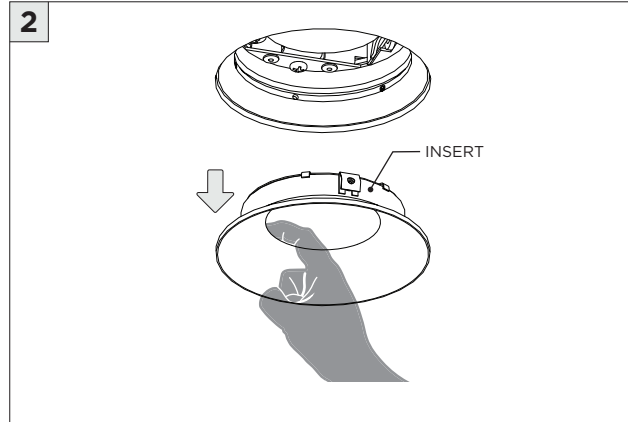
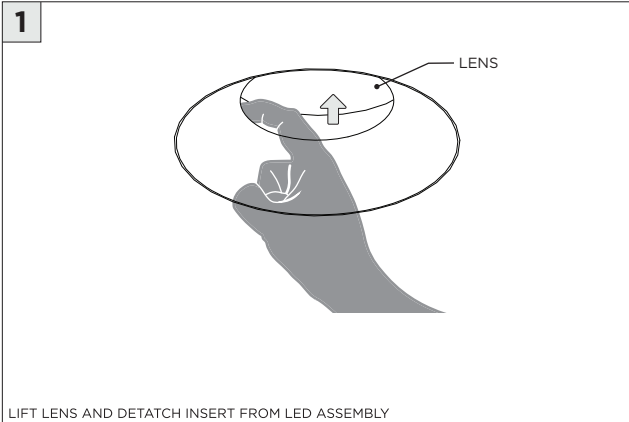
INTEGRATED HVAC



i ALL INTEGRATED HVAC COMPONENTS ARE NOT INSTALLED BY 3G

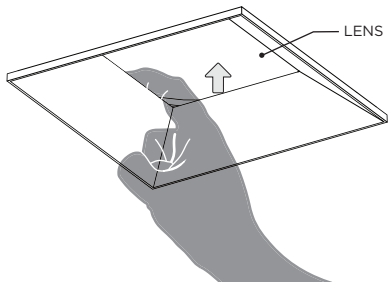


DL33RA - ADJUSTING DOWNLIGHT ANGLE



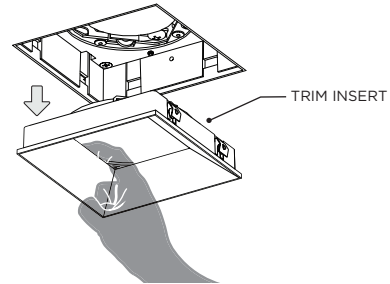
DL33SA - ADJUSTING DOWNLIGHT ANGLE

1

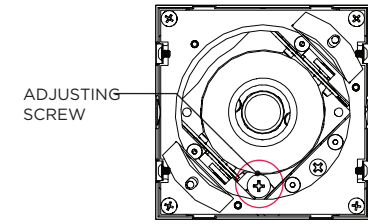


LIFT LENS AND DETACH INSERT FROM ADAPTER RING

2

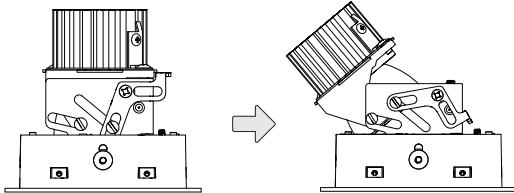


3



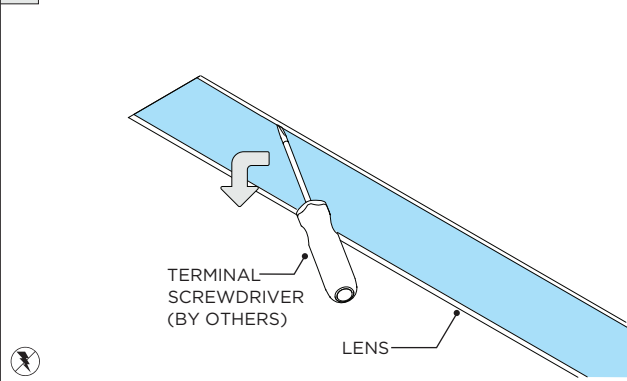
BOTTOM VIEW

4

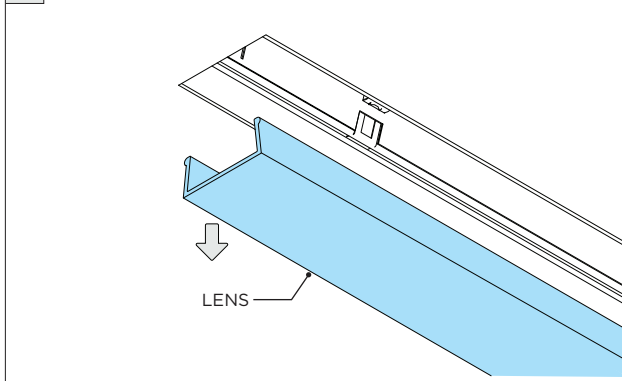


DRIVER SERVICING

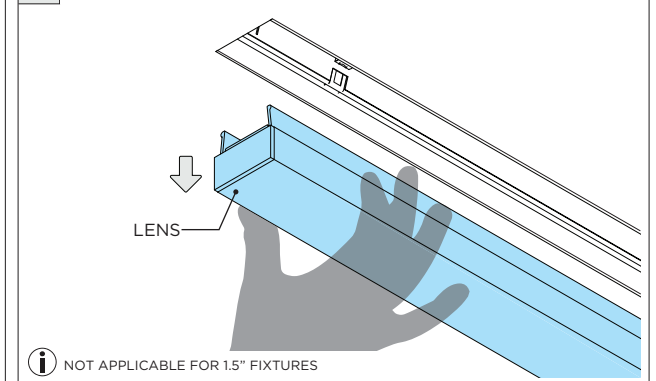
1 FLUSH LENS REMOVAL



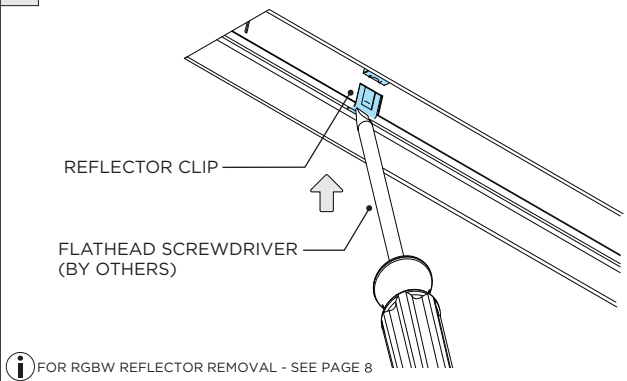
2



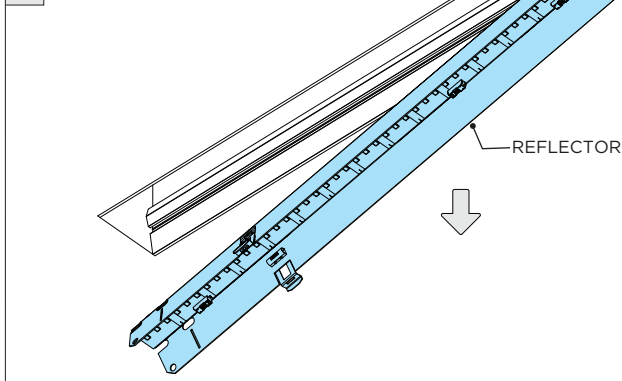
2A DROP LENS REMOVAL



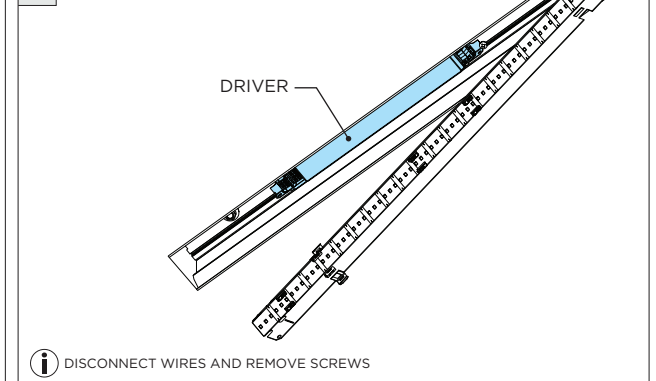
3



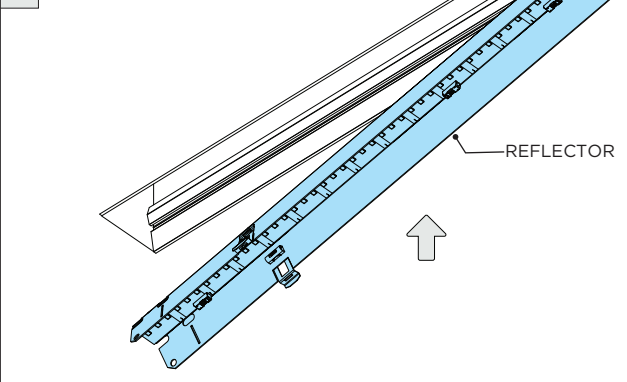
4



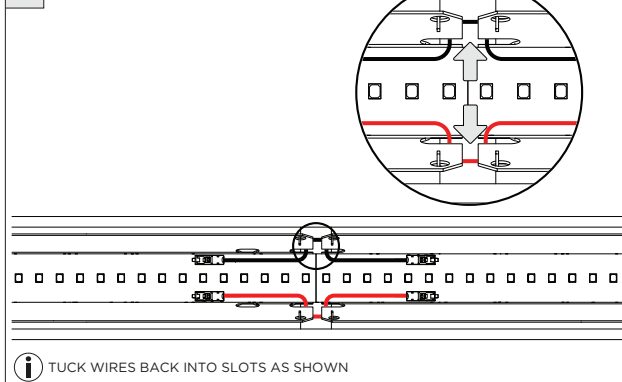
5



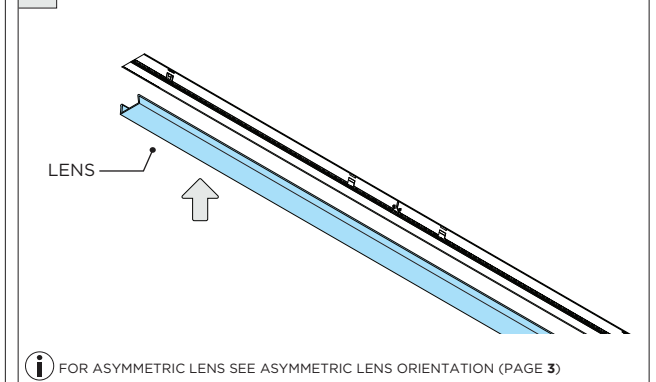
6



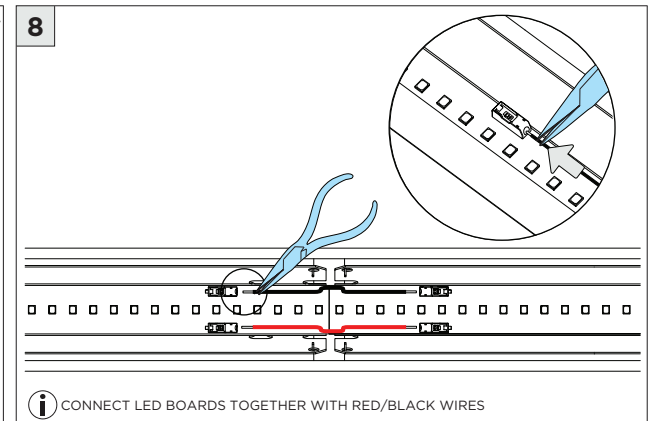
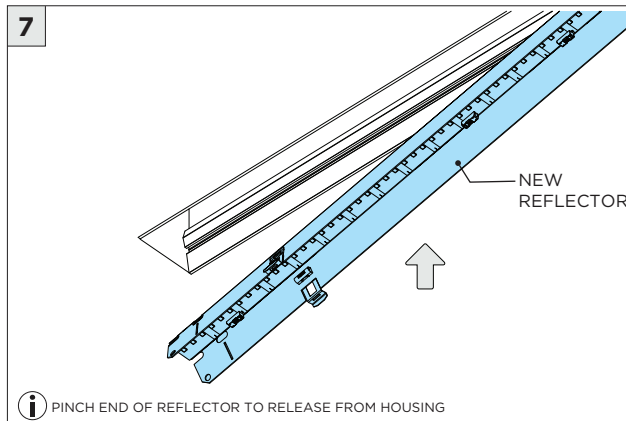
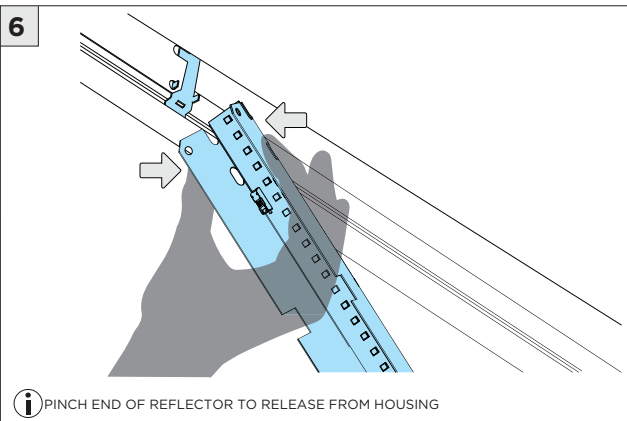
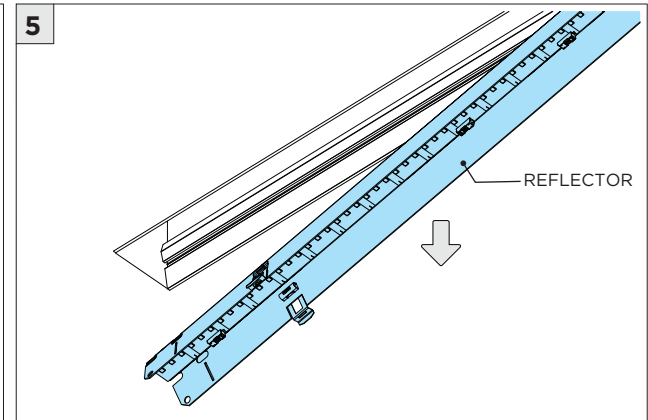
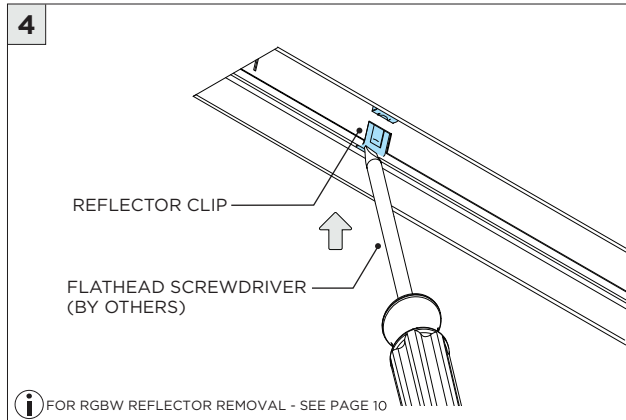
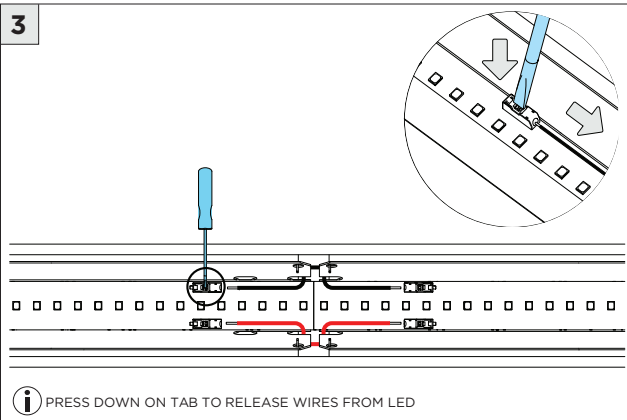
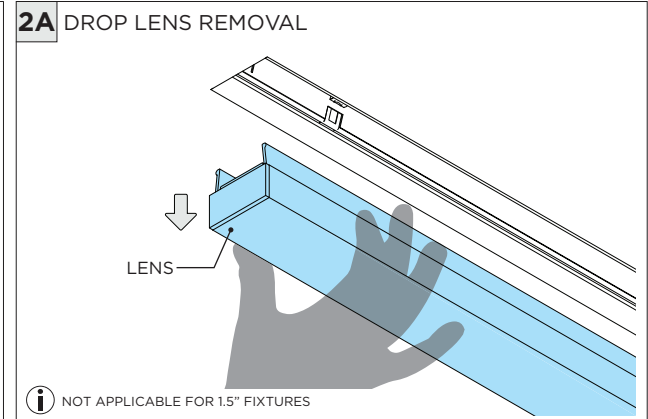
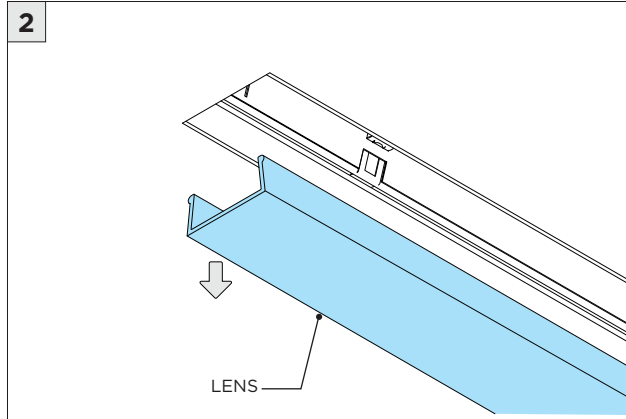
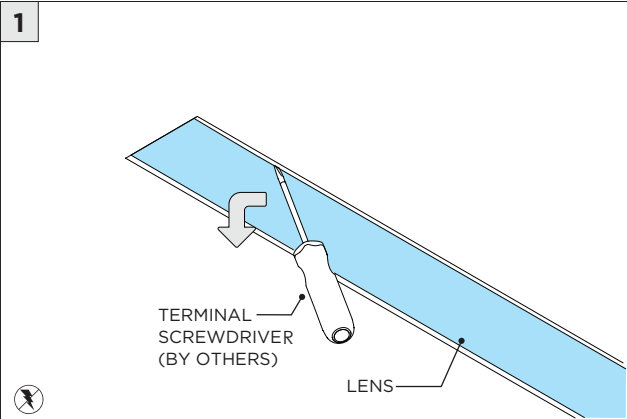
7



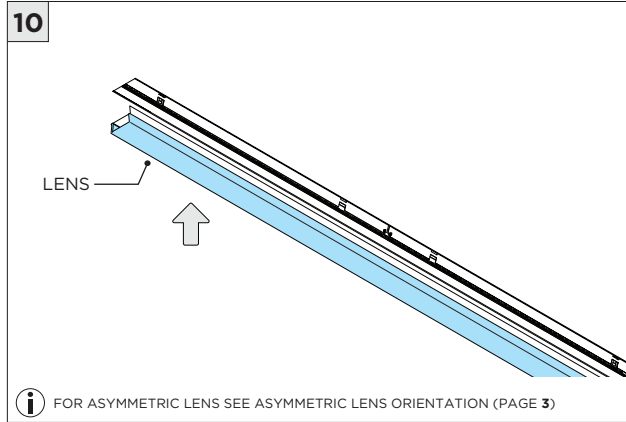
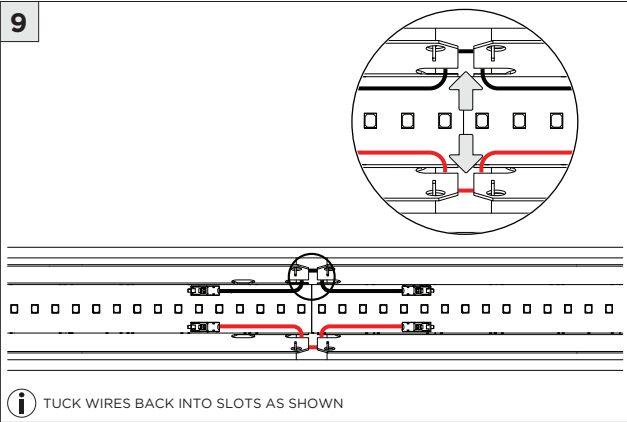
8



LINEAR LED SERVICING

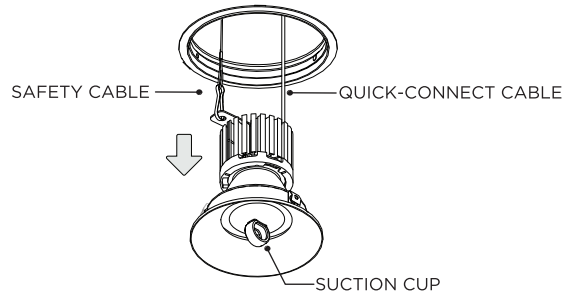


LINEAR LED SERVICING



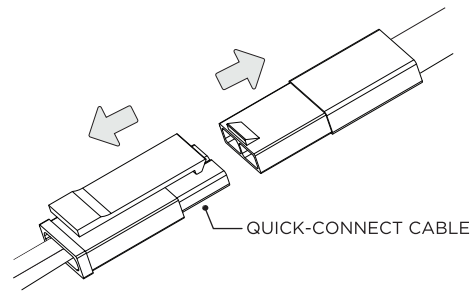
LED SERVICING - DL33R

1



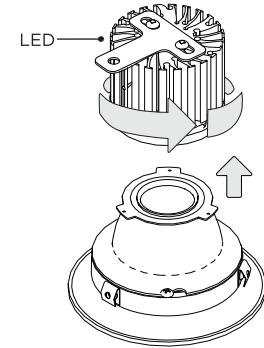
REMOVE LED ASSEMBLY FROM CEILING

2

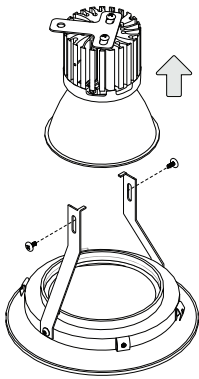


DISCONNECT SAFETY CABLE & QUICK-CONNECT CABLE FROM LED ASSEMBLY

3

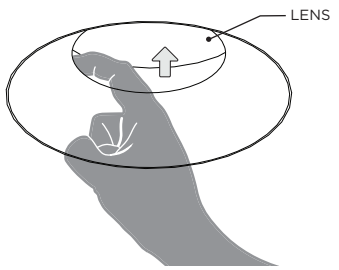


4 FOR DL45



LED SERVICING - DL33RA

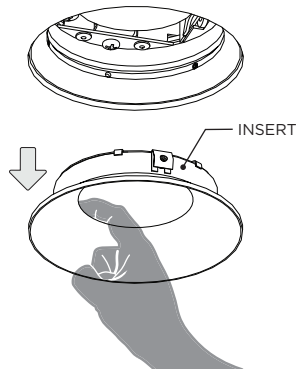
1



LENS

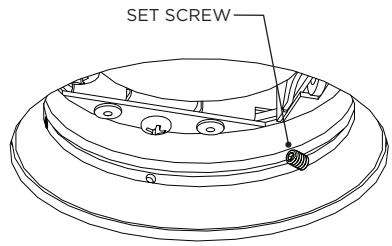
LIFT LENS AND DETACH INSERT FROM LED ASSEMBLY

2




INSERT

3

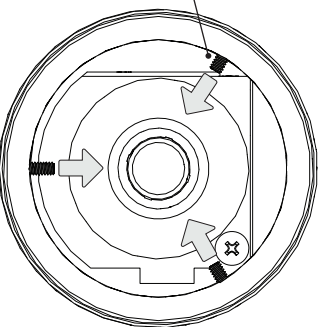


SET SCREW

LOOSEN THREE SET SCREWS INSIDE ADAPTER RING

 DO NOT FULLY REMOVE SET SCREWS FROM ADAPTER RING

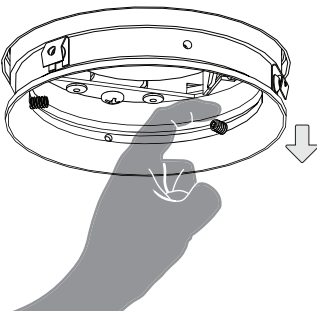
4



SET SCREW

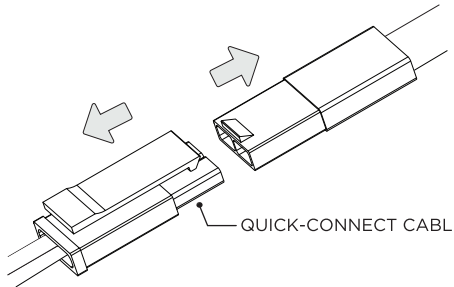
BOTTOM VIEW

5



UNCLIP ADAPTER RING FROM CEILING BY PULLING DOWN ON EACH SET SCREW

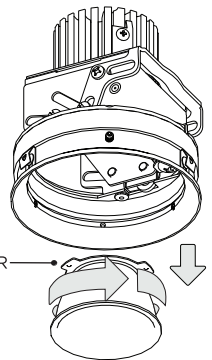
6



QUICK-CONNECT CABLE

DISCONNECT QUICK-CONNECT CABLE FROM LED ASSEMBLY

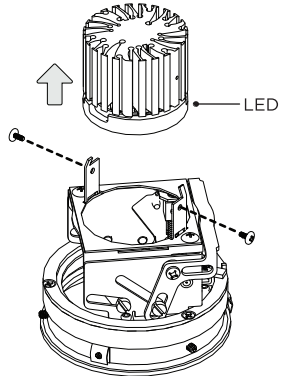
7



REFLECTOR

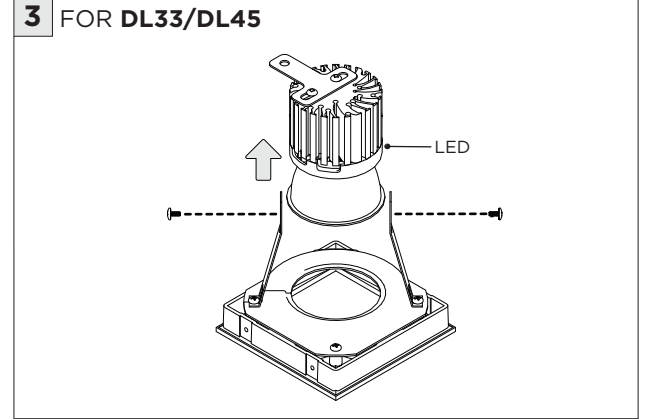
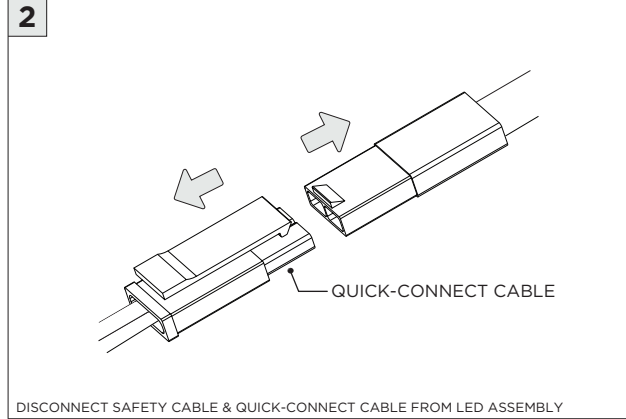
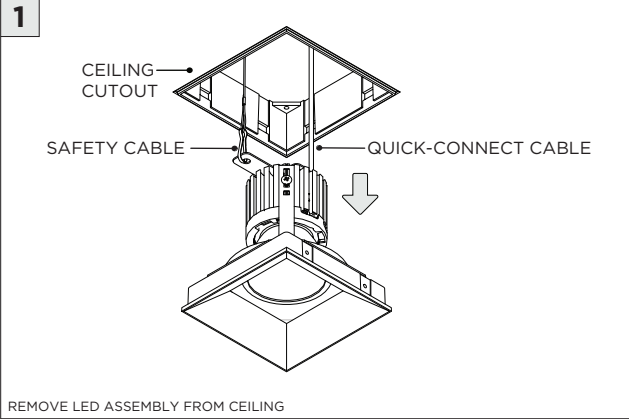
TWIST REFLECTOR TO REMOVE

8



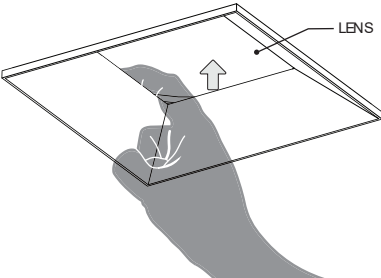
LED

LED SERVICING - DL33S



LED SERVICING - DL33SA

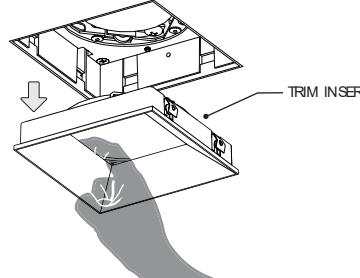
1



LENS

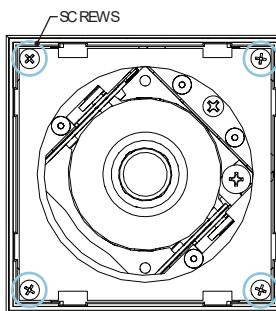
LIFT LENS AND DETACH INSERT FROM ADAPTER RING

2



TRIM INSERT

3

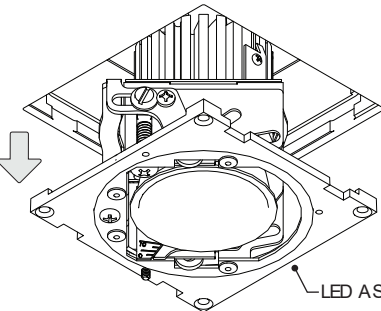


SCREWS

BOTTOM VIEW

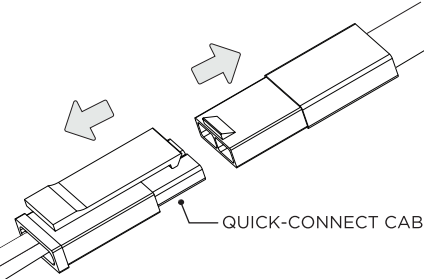
REMOVE 4 SCREWS TO DETACH LED ASSEMBLY FROM CEILING

4



LED ASSEMBLY

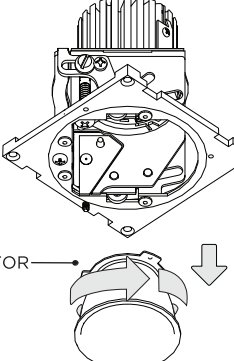
5



QUICK-CONNECT CABLE

DISCONNECT QUICK-CONNECT CABLE FROM LED ASSEMBLY

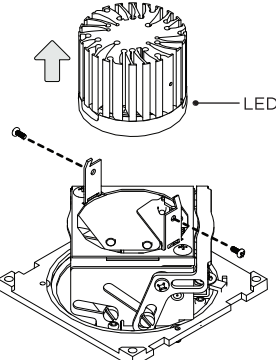
6



REFLECTOR

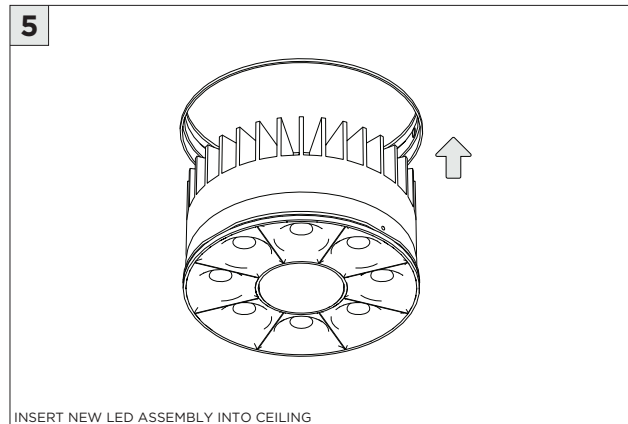
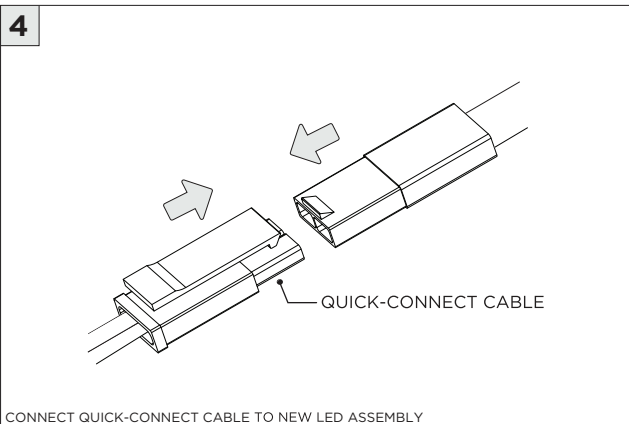
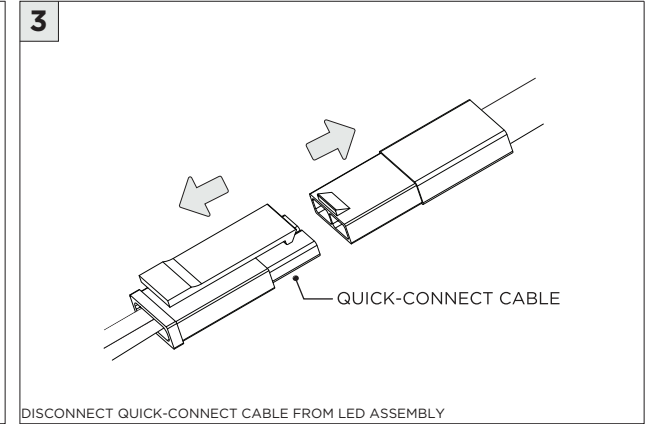
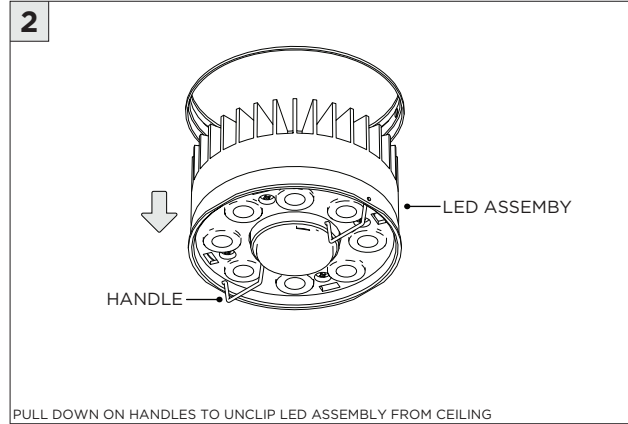
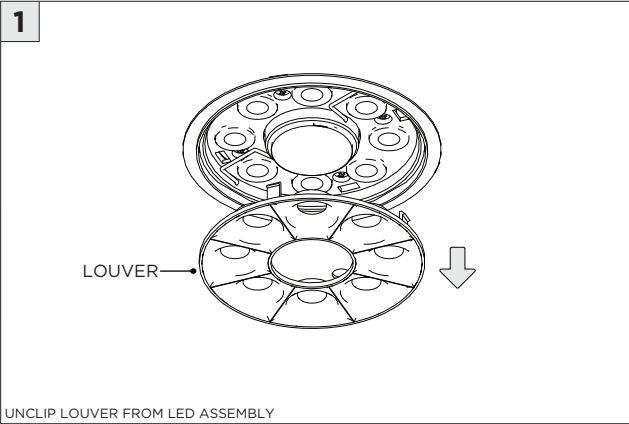
TWIST REFLECTOR TO REMOVE

7



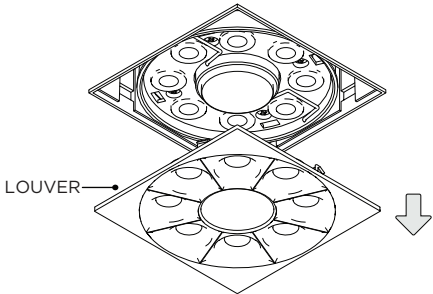
LED

LED SERVICING - DZ33R



LED SERVICING - DZ33S

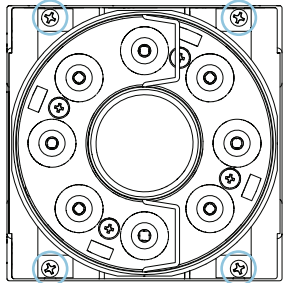
1



LOUVER

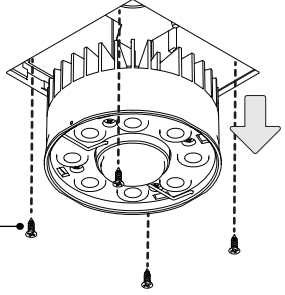
REMOVE LOUVER FROM LED ASSEMBLY

2



LOCATE FOUR SCREWS

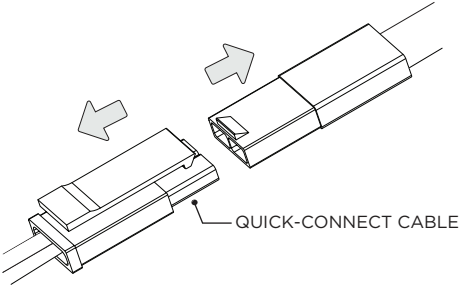
3



SCREWS

UNSCREW SCREWS TO REMOVE LED ASSEMBLY

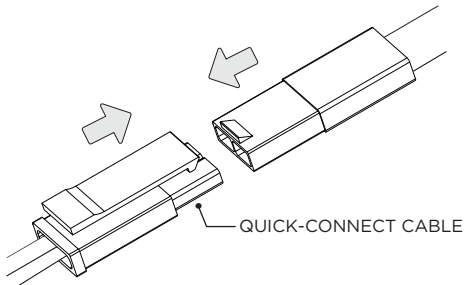
4



QUICK-CONNECT CABLE

DISCONNECT QUICK-CONNECT CABLE FROM LED ASSEMBLY

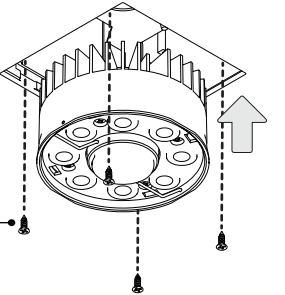
5



QUICK-CONNECT CABLE

CONNECT QUICK-CONNECT CABLE TO NEW LED ASSEMBLY

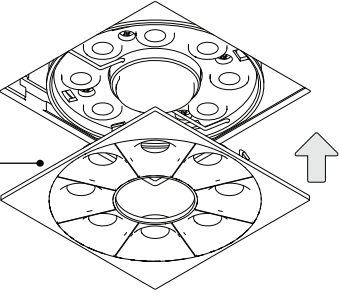
6



SCREWS

SCREW NEW LED ASSEMBLY INTO CYLINDER

7



LOUVER

CONNECT QUICK-CONNECT CABLE TO NEW LED ASSEMBLY