



3Gi-1RSL, 3Gi-2RSL, and 3Gi-4RSL
1.5", 2", and 3.5" INTEGRATED RECESSED SLOT
 GRID CEILING



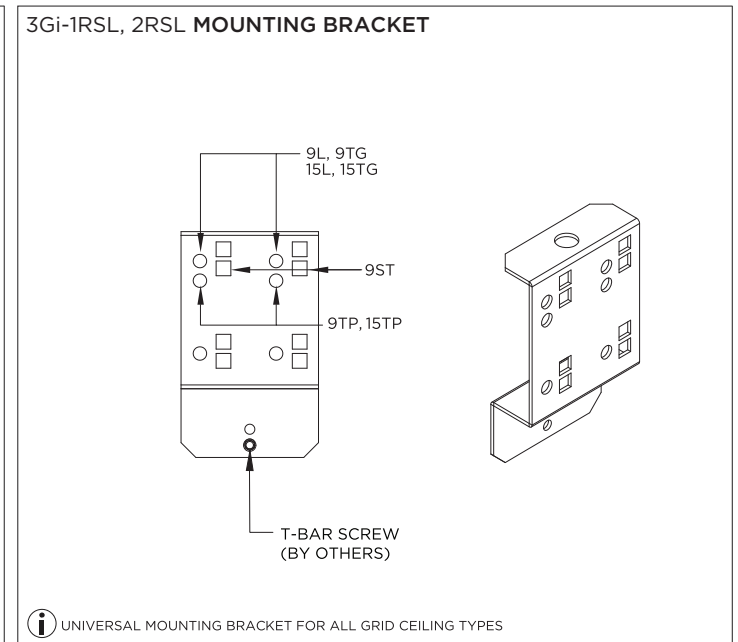
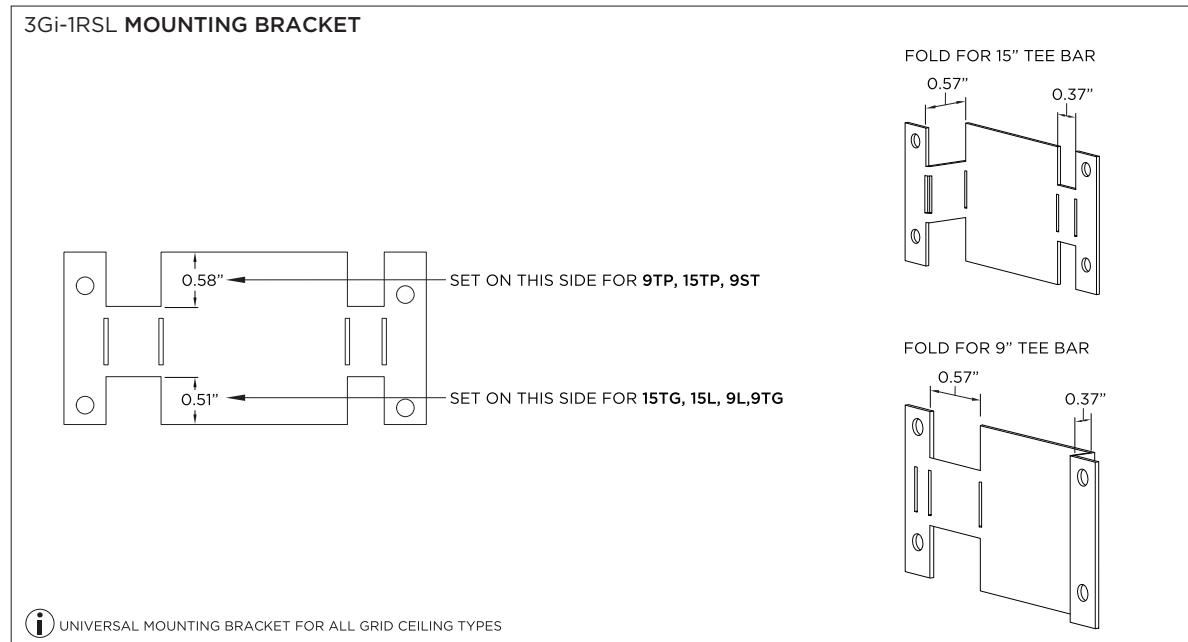
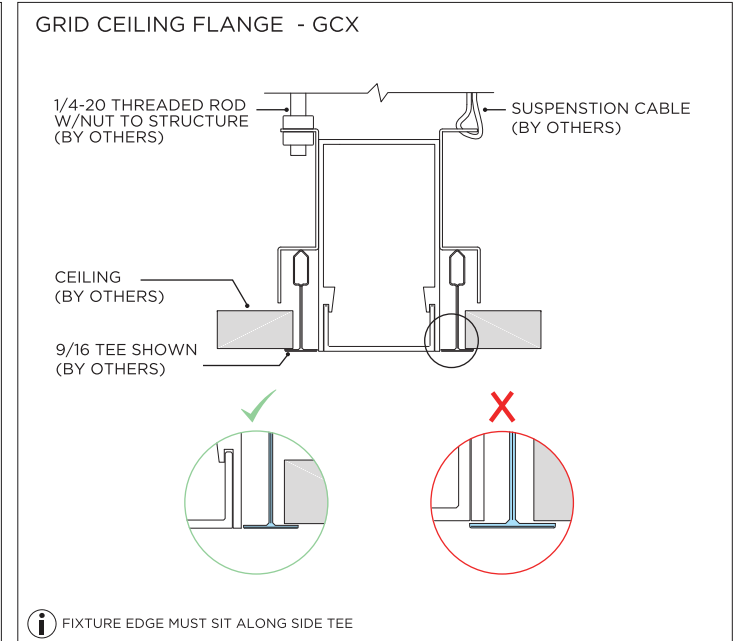
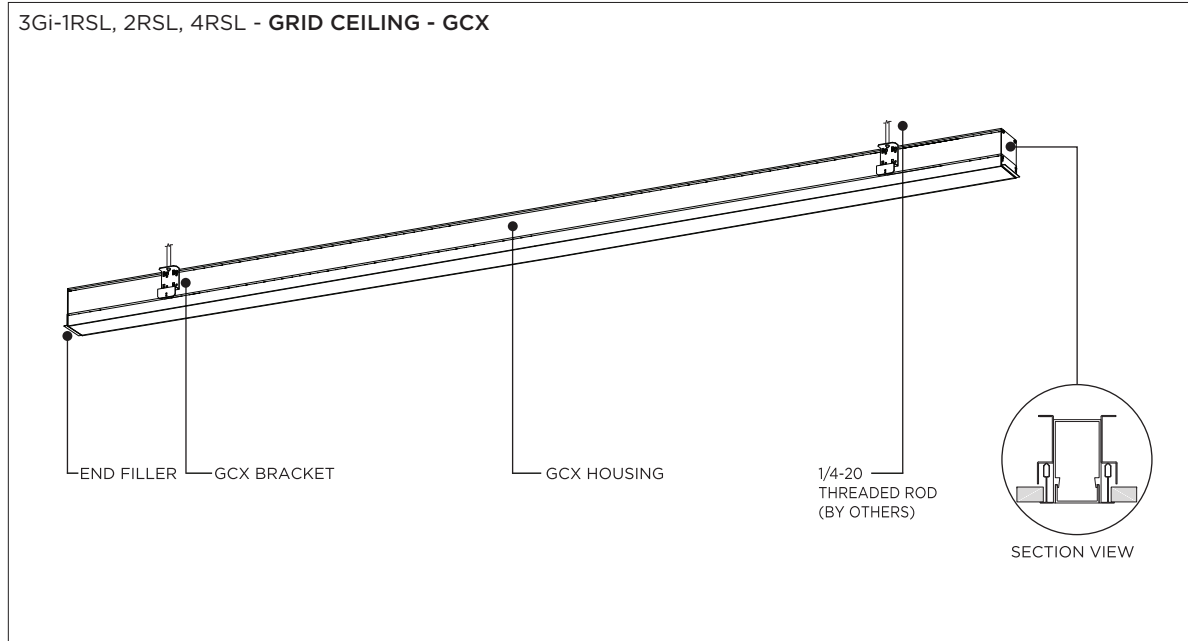
⚠ FOR **NEW CONSTRUCTION** INSTALLATION ONLY

ⓘ THE IMAGES SHOWN ARE FOR ILLUSTRATION PURPOSES ONLY AND MAY NOT BE AN EXACT REPRESENTATION OF THE PRODUCT

FIXTURE TYPES			INCLUDED COMPONENTS				
<p>3Gi-1RSL</p>	<p>3Gi-2RSL</p>	<p>3Gi-4RSL</p>	<p>Standalone Fixtures (2' to 8')</p> <p>INDIVIDUAL LENS</p>	<p>Continuous Runs (9' to 16')</p> <p>STARTER ENDER LENS</p>			
<p>Continuous Runs (17' and longer)</p> <p>STARTER JOINER ENDER LENS</p>			<p>INTEGRATED OPTIONS</p> <table border="0"> <tr> <td> <p>3G-1RSL</p> <p>NON ILLUMINATED</p> <p>1.5" LINIA</p> <p>ZOIE</p> <p>WALL WASH ZOIE</p> </td> <td> <p>3G-2RSL</p> <p>2" LINIA</p> <p>1" DOWNLIGHT</p> </td> <td> <p>3G-4RSL</p> <p>3.5" LINIA</p> <p>ADJUSTABLE ZOIE</p> <p>MICRO MADISON</p> <p>2" DOWNLIGHT</p> </td> </tr> </table>		<p>3G-1RSL</p> <p>NON ILLUMINATED</p> <p>1.5" LINIA</p> <p>ZOIE</p> <p>WALL WASH ZOIE</p>	<p>3G-2RSL</p> <p>2" LINIA</p> <p>1" DOWNLIGHT</p>	<p>3G-4RSL</p> <p>3.5" LINIA</p> <p>ADJUSTABLE ZOIE</p> <p>MICRO MADISON</p> <p>2" DOWNLIGHT</p>
<p>3G-1RSL</p> <p>NON ILLUMINATED</p> <p>1.5" LINIA</p> <p>ZOIE</p> <p>WALL WASH ZOIE</p>	<p>3G-2RSL</p> <p>2" LINIA</p> <p>1" DOWNLIGHT</p>	<p>3G-4RSL</p> <p>3.5" LINIA</p> <p>ADJUSTABLE ZOIE</p> <p>MICRO MADISON</p> <p>2" DOWNLIGHT</p>					

INSTRUCTION KEY	INFORMATION
⚠	ADDITIONAL
ⓘ	ATTENTION
⚡	POWER ON
⏻	POWER OFF
	<p>INSTALLATION SHOULD ONLY BE PERFORMED BY A CERTIFIED ELECTRICIAN REFER TO LOCAL/NATIONAL CODES FOR PROPER INSTALLATION FAILURE TO FOLLOW INSTALLATION INSTRUCTION MAY VOID THE WARRANTY DO NOT TOUCH LEDS. LEDS MUST BE PROTECTED FROM MECHANICAL STRESS OR DEBRIS TURN OFF POWER DURING INSTALLATION OR SERVICING</p>

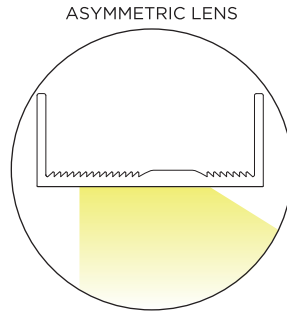
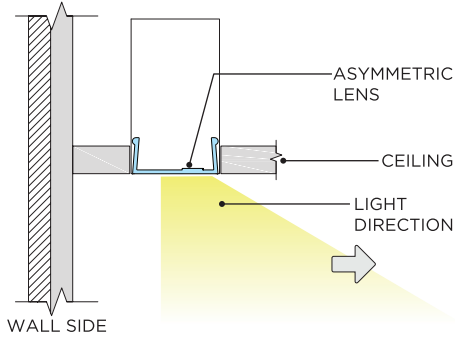
OVERVIEW



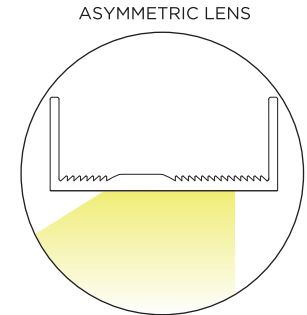
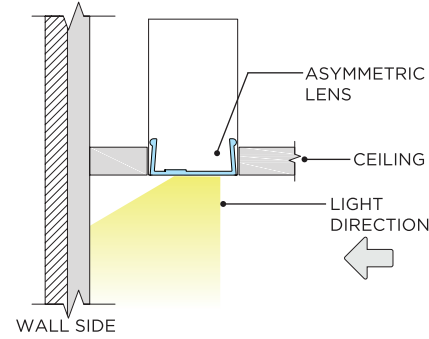
ASYMMETRIC LENS ORIENTATION

3G-1RLI, 3G-2RLI-ASYMMETRIC LENS

ROOM SIDE DISTRIBUTION

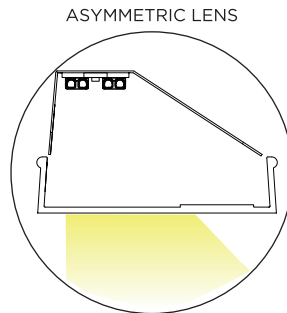
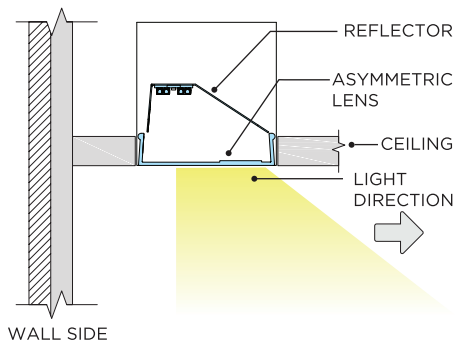


WALL GRAZING DISTRIBUTION

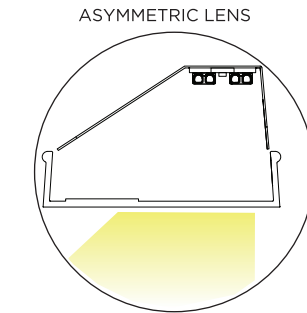
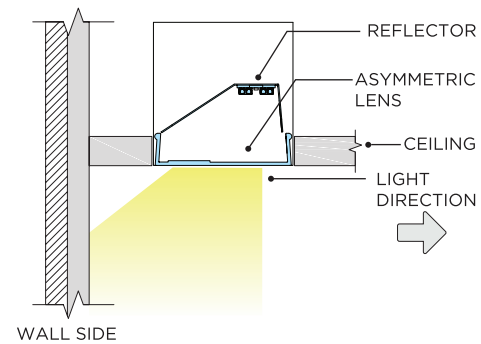


3G-4RI-ASYMMETRIC LENS/REFLECTOR ORIENTATION

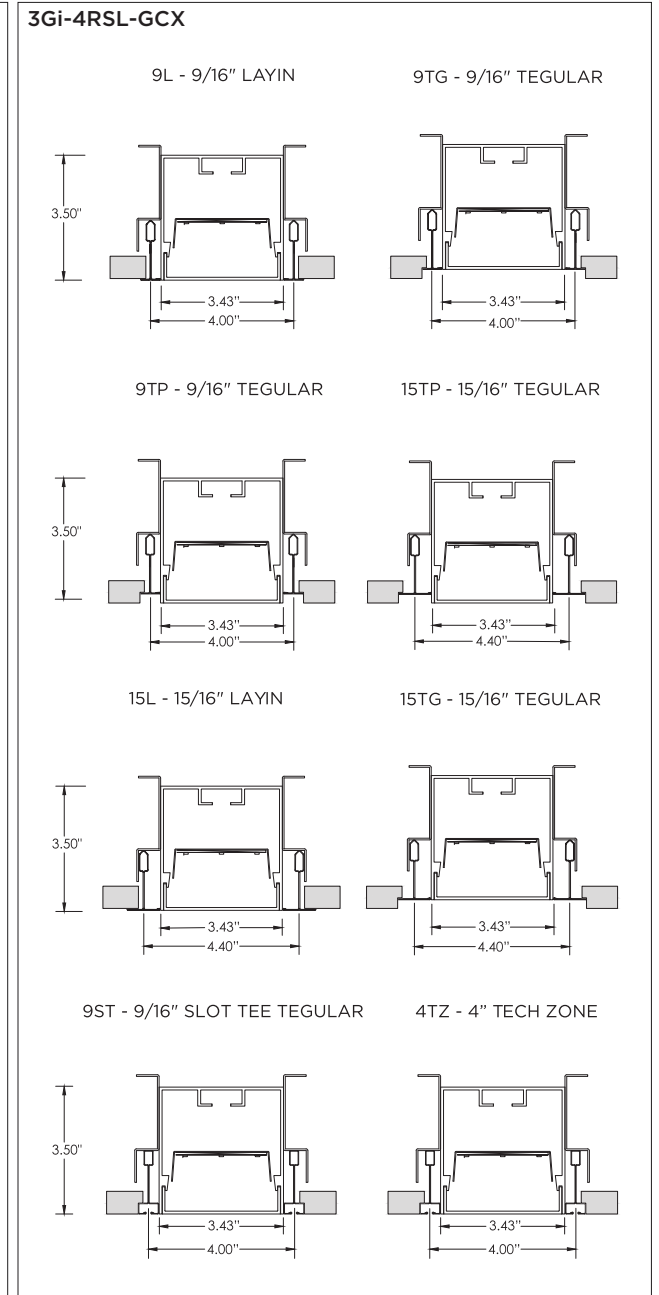
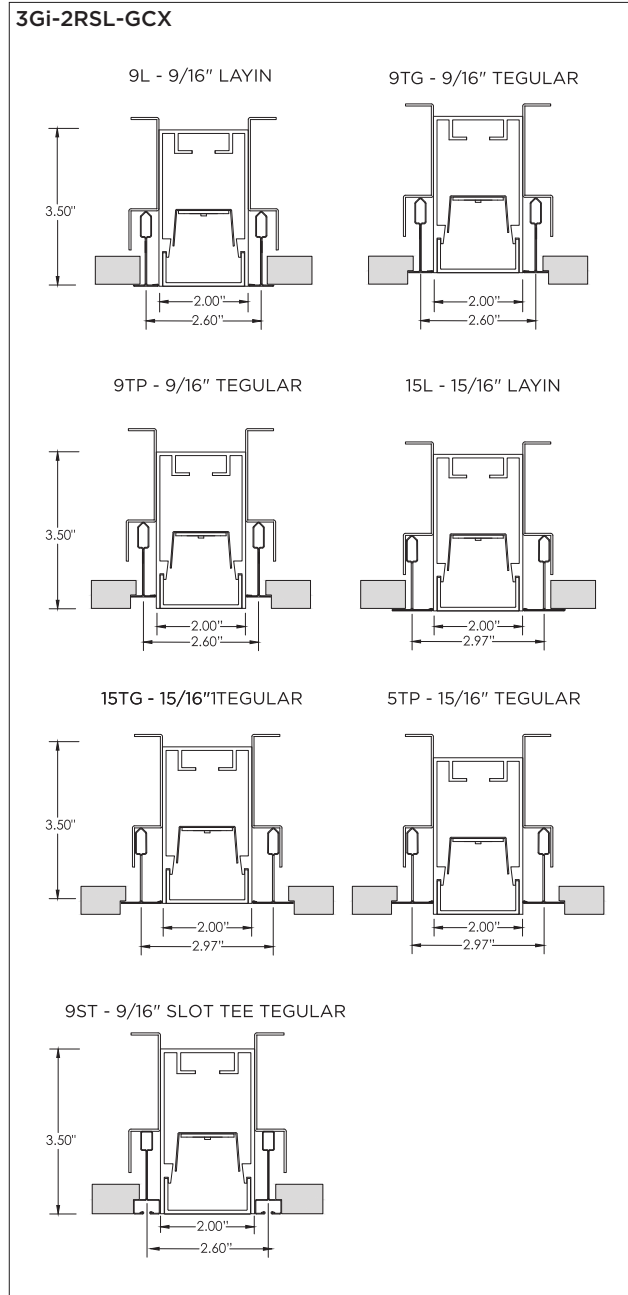
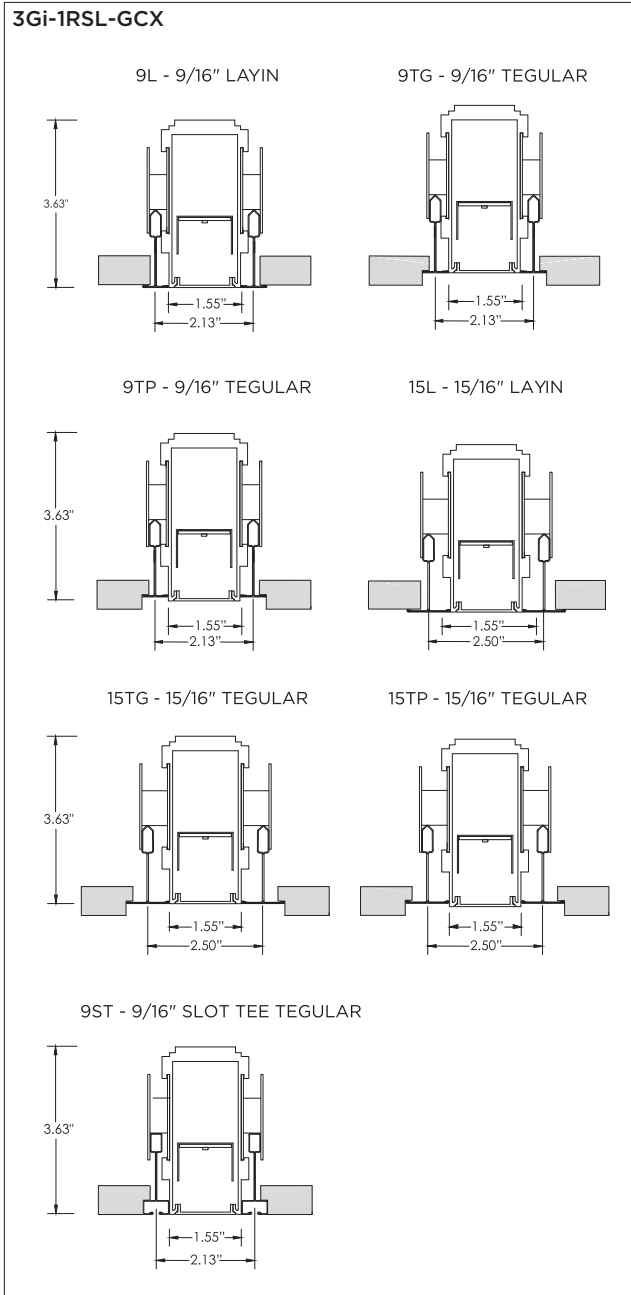
ROOM SIDE DISTRIBUTION



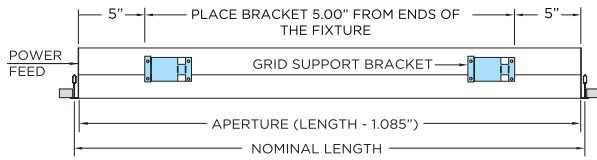
WALL GRAZING DISTRIBUTION



MOUNTING TYPES & T-BAR WIDTH

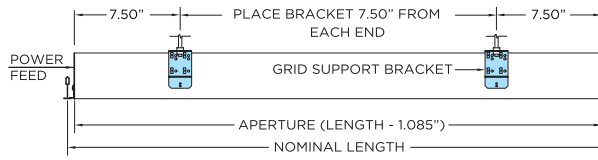


3Gi-1RSL MOUNTING BRACKET LOCATION



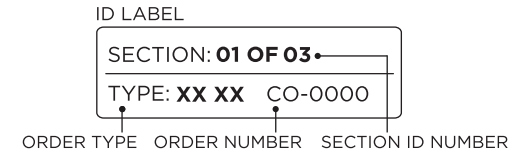
i APERTURE = (LENGTH - 1.085") APPLIED ONLY ON STARTER SECTION OR STANDALONE FIXTURE.

3Gi-2RSL, 4RSL MOUNTING BRACKET LOCATION



i APERTURE = (LENGTH - 1.085") APPLIED ONLY ON STARTER SECTION OR STANDALONE FIXTURE.

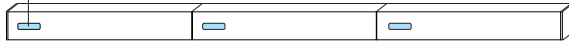
IDENTIFICATION AND PREPARATION



i IDENTIFY FIXTURE SECTIONS BY THE ID LABELS FOUND ON THE BOX INSIDE THE SECTIONS

ID LABEL

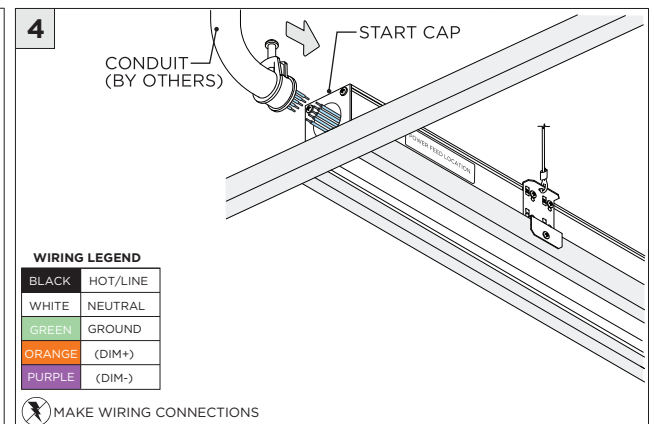
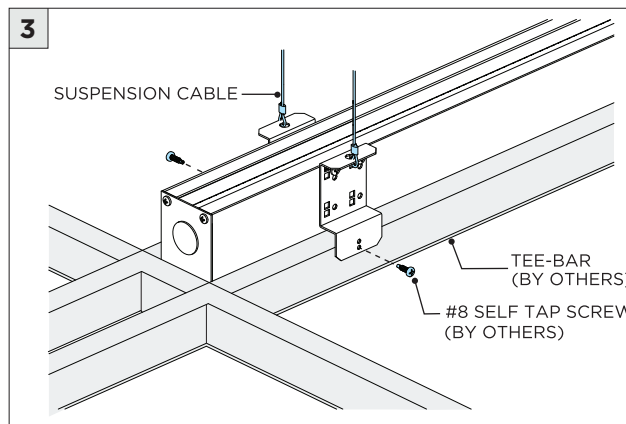
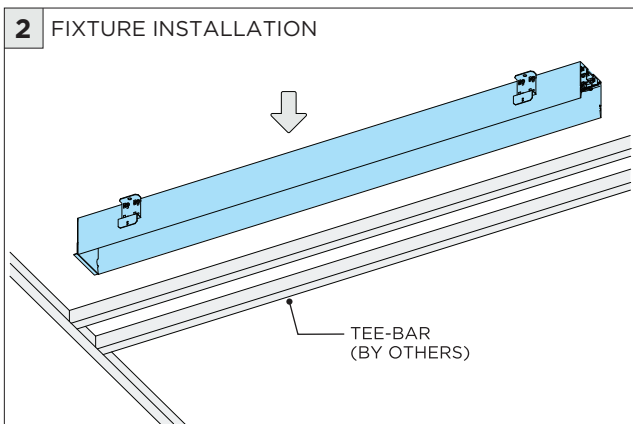
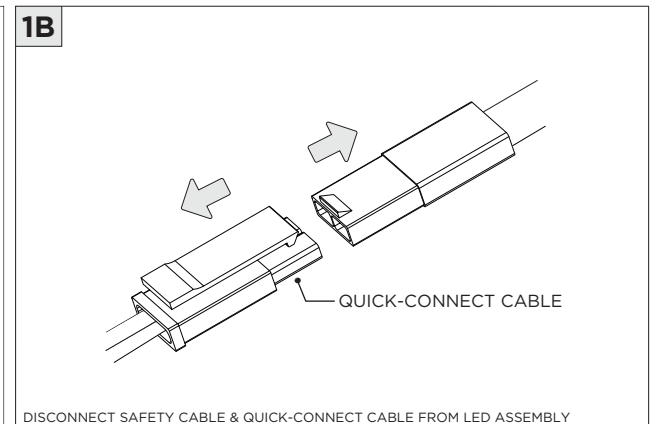
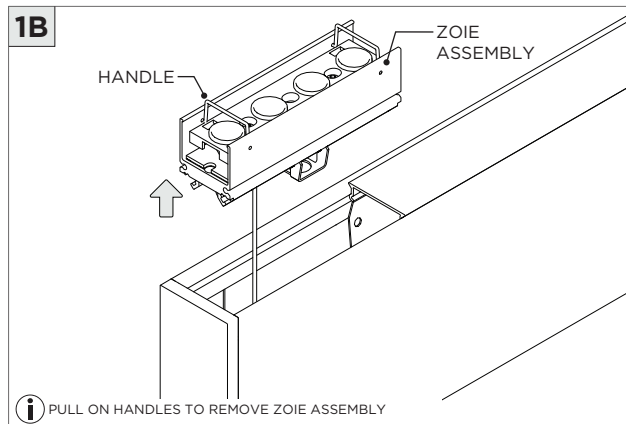
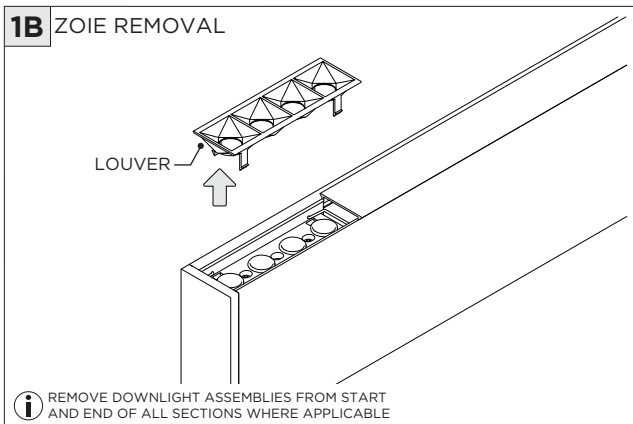
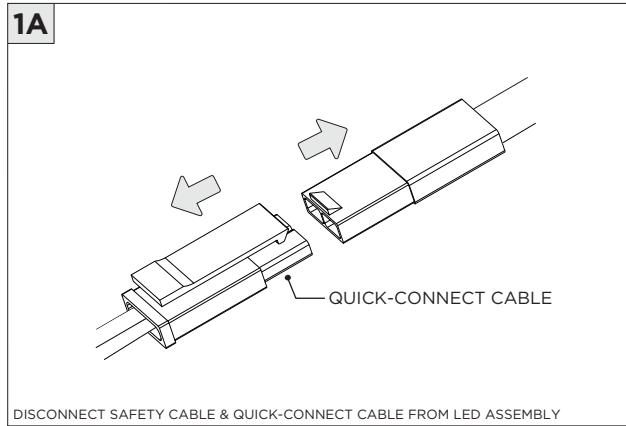
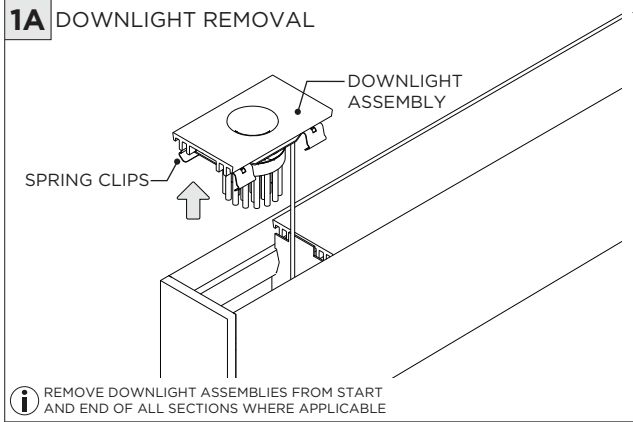
SECTION: **01 OF 03**
TYPE: **XX XX** CO-0000

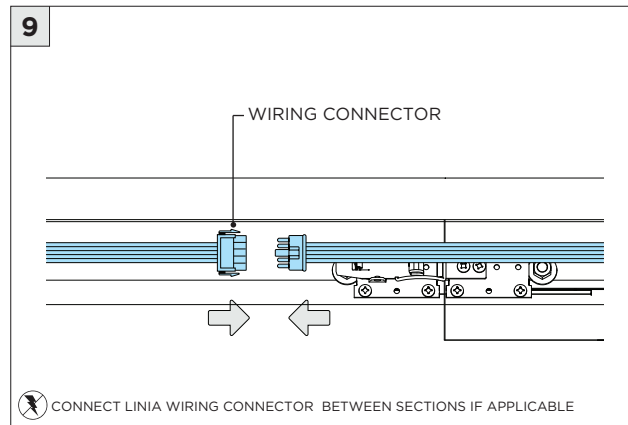
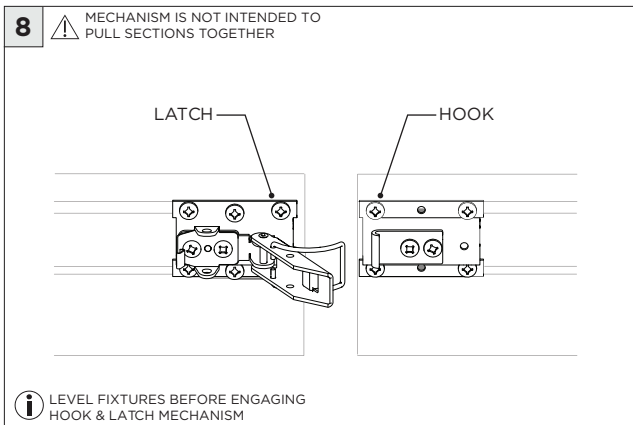
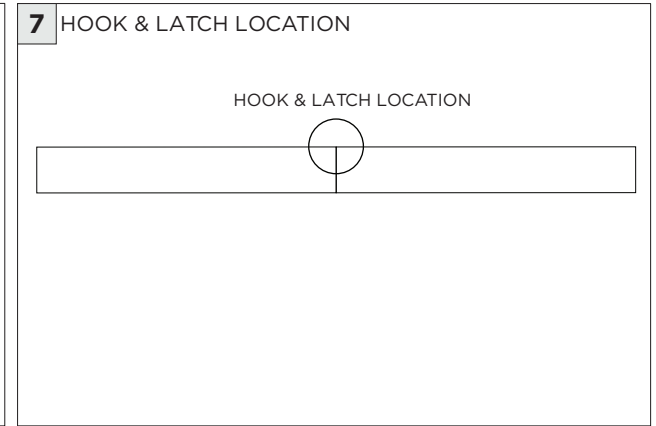
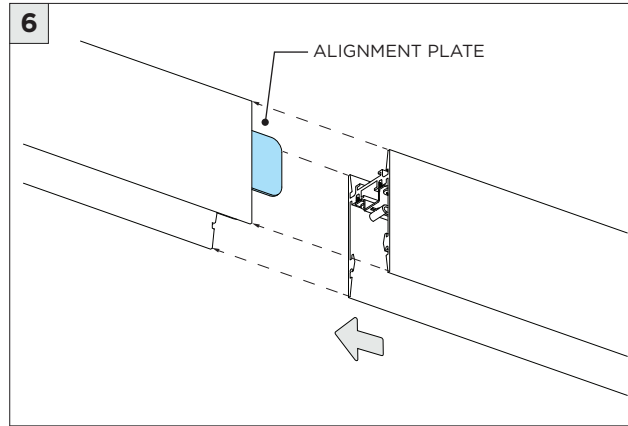
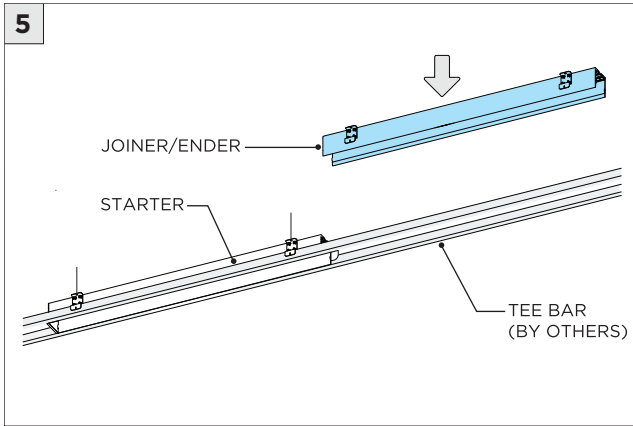


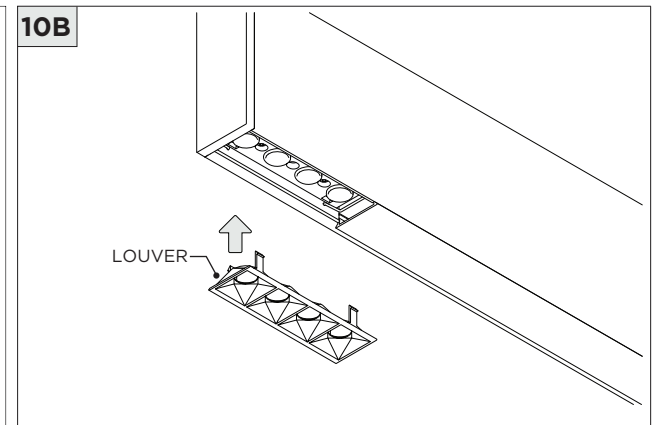
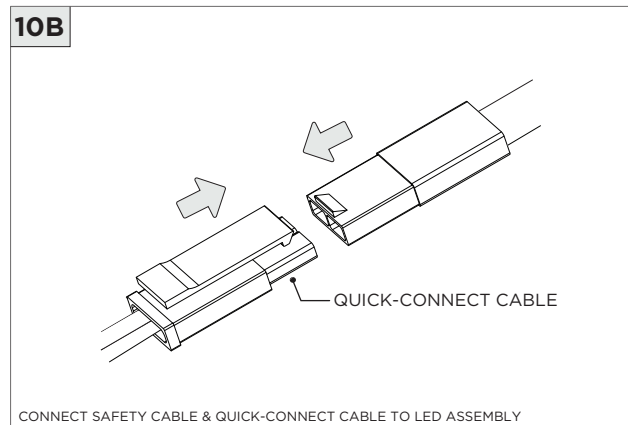
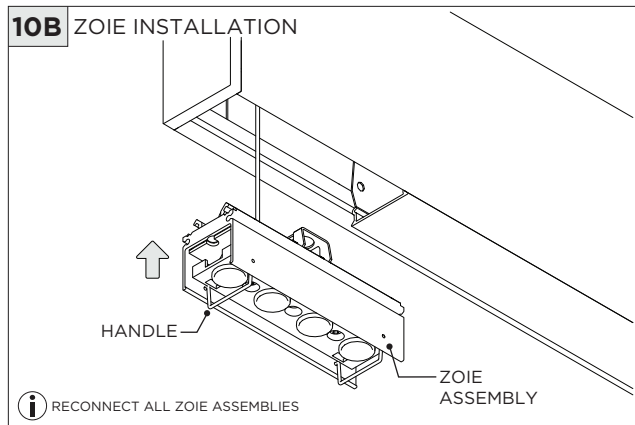
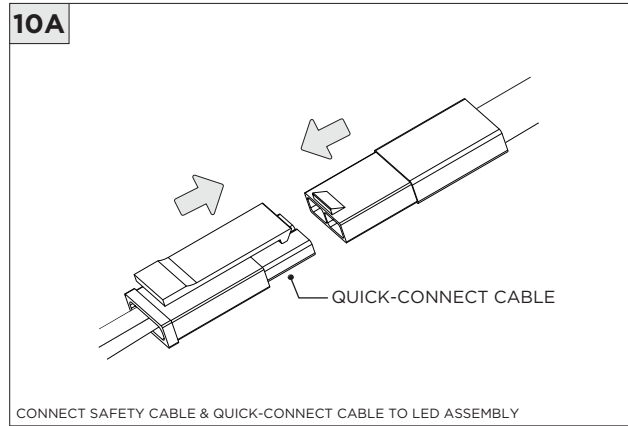
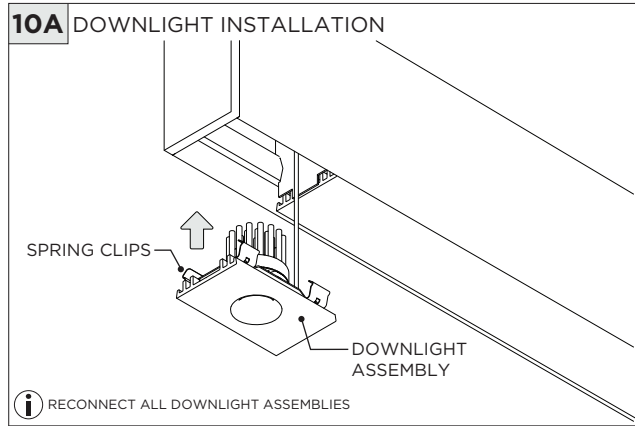
STARTER

JOINER

ENDER

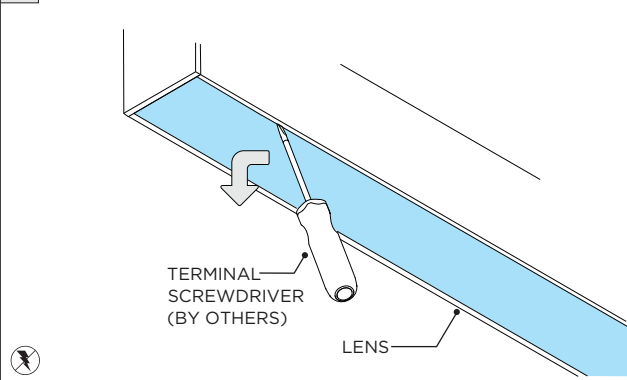




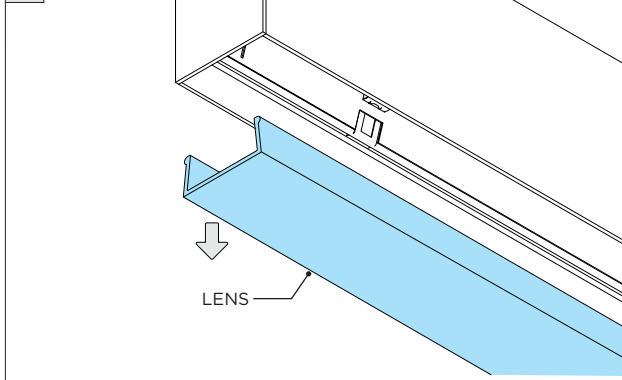


DRIVER SERVICING

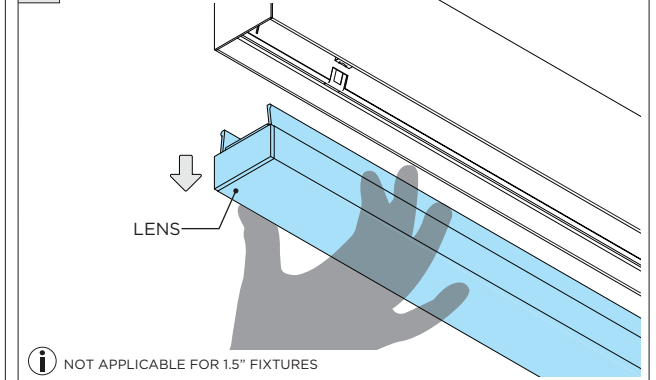
1 FLUSH LENS REMOVAL



2

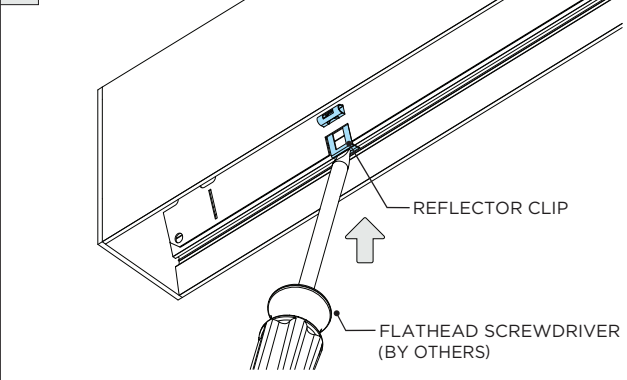


2A DROP LENS REMOVAL

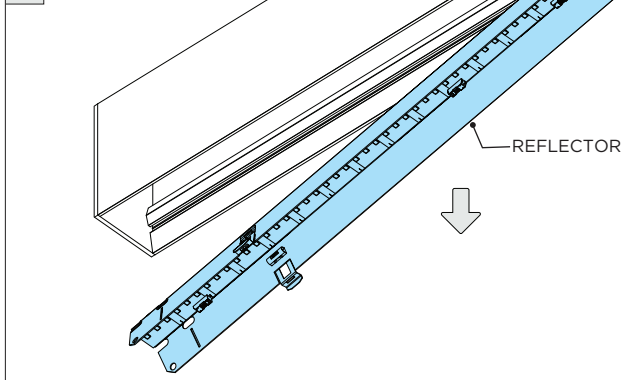


i NOT APPLICABLE FOR 1.5" FIXTURES

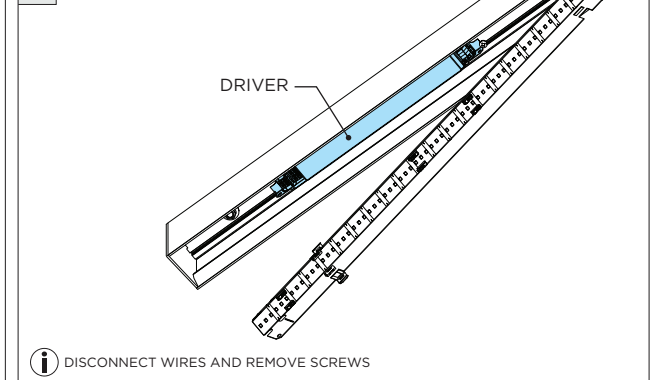
3



4

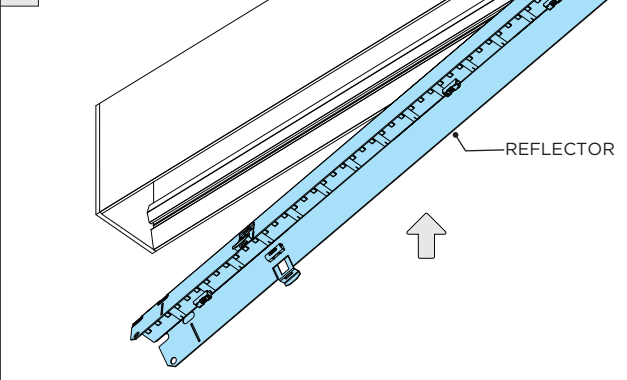


5

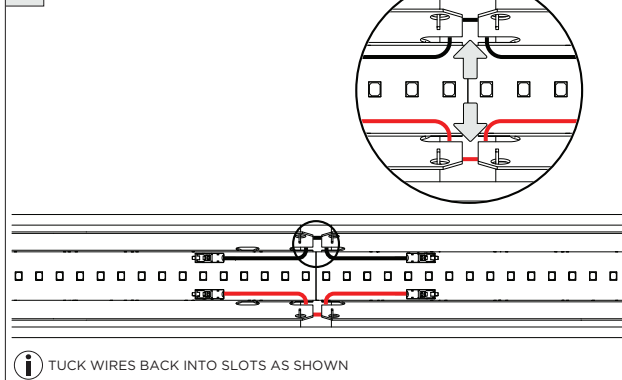


i DISCONNECT WIRES AND REMOVE SCREWS

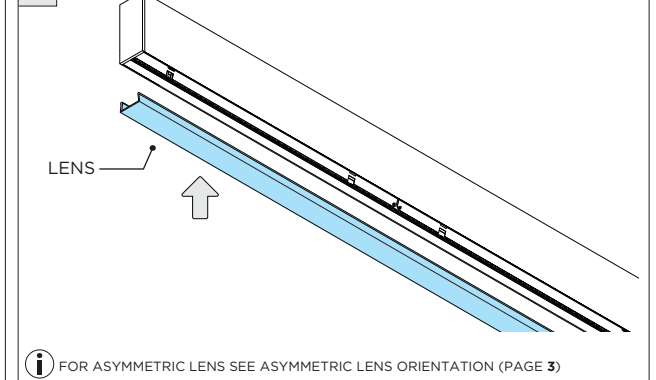
6



7

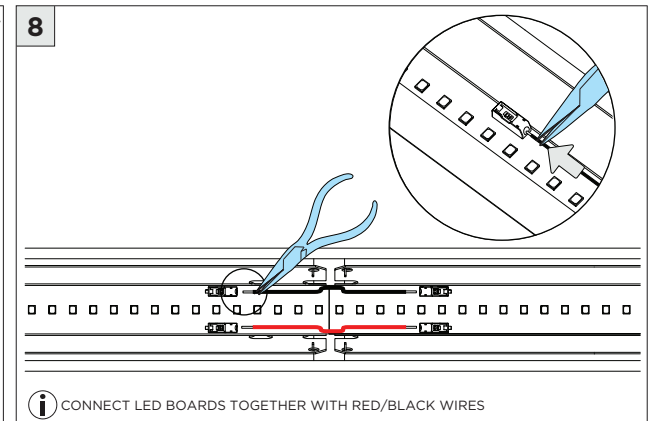
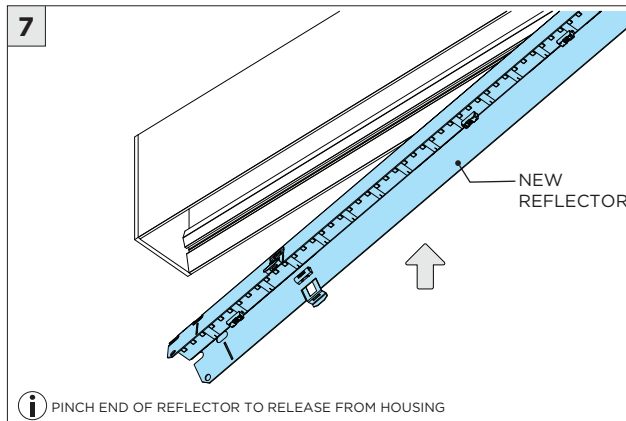
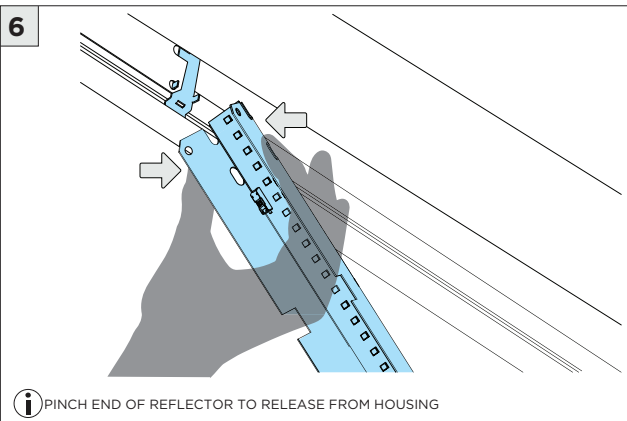
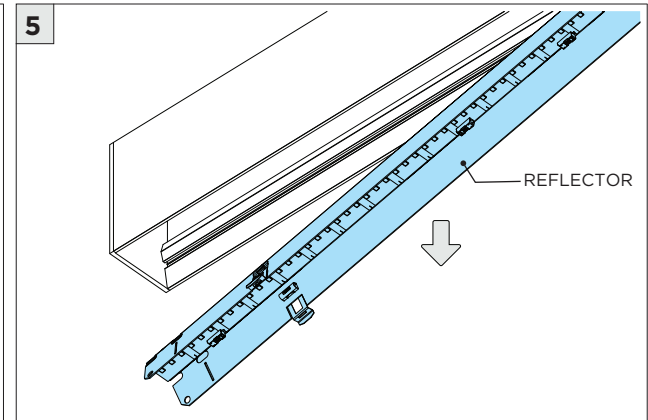
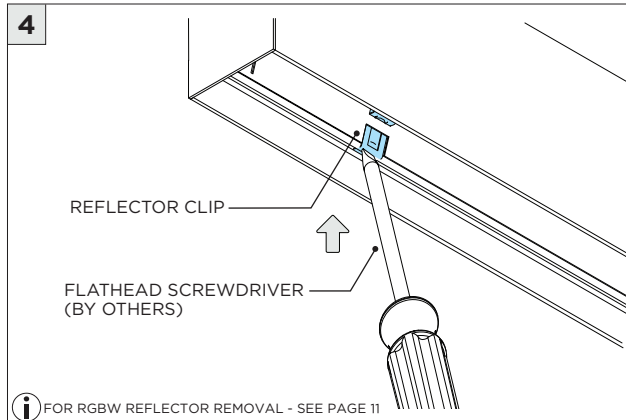
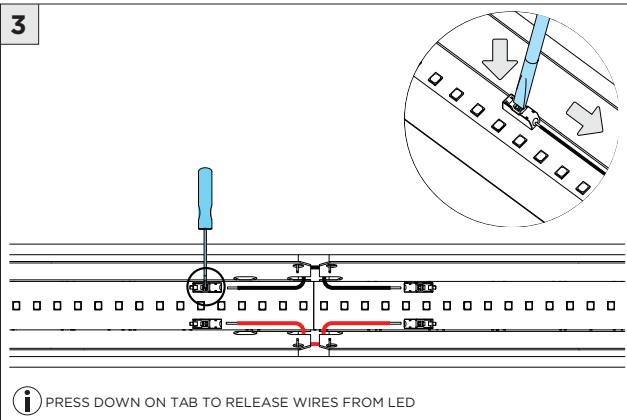
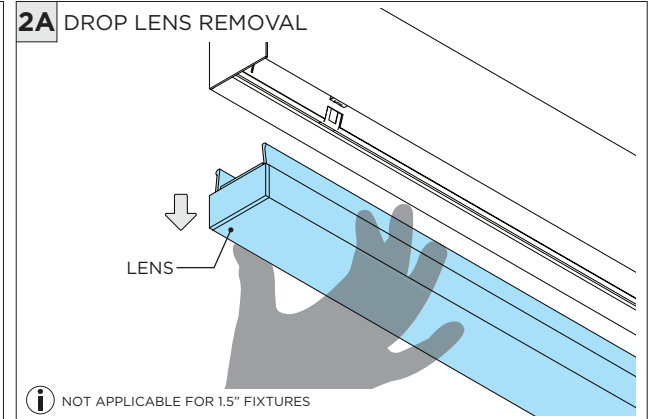
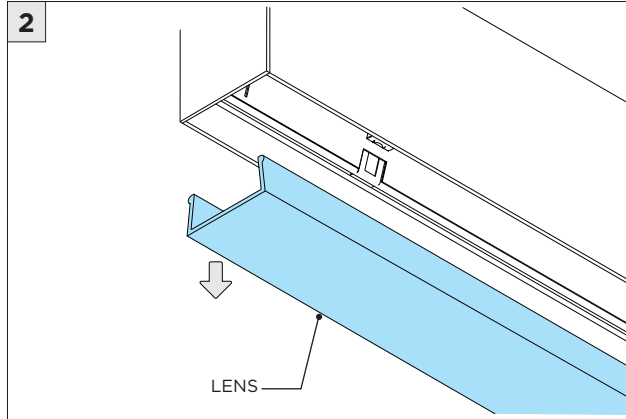
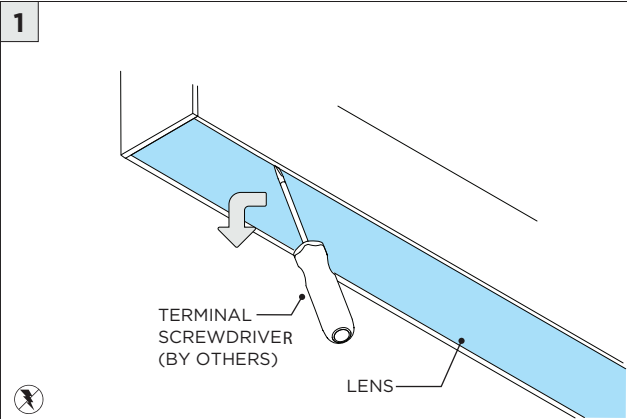


8

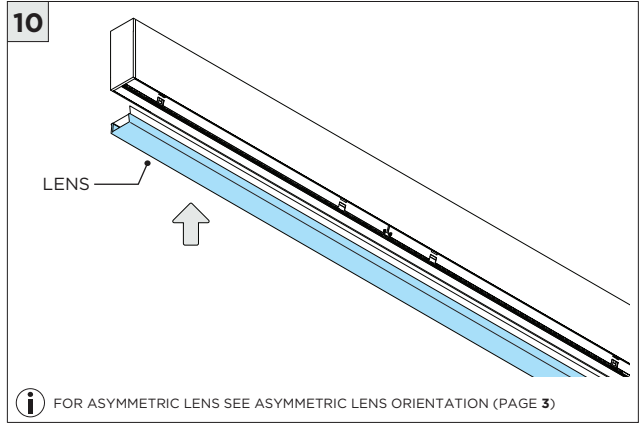
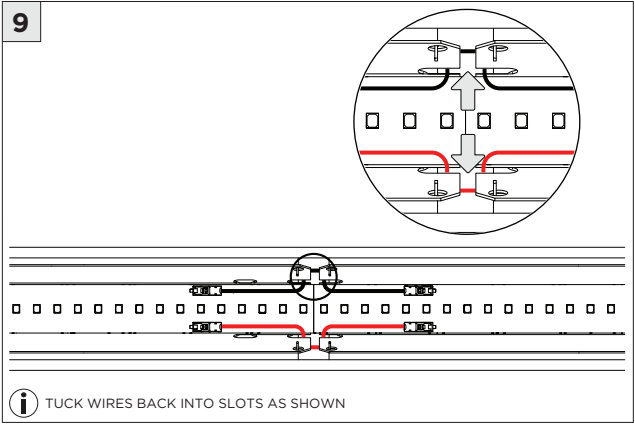


i FOR ASYMMETRIC LENS SEE ASYMMETRIC LENS ORIENTATION (PAGE 3)

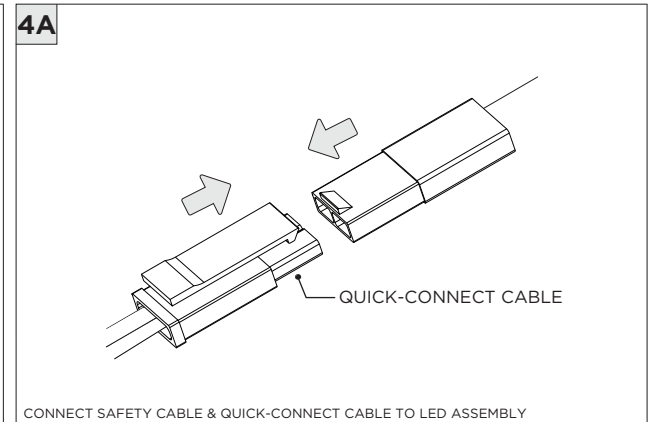
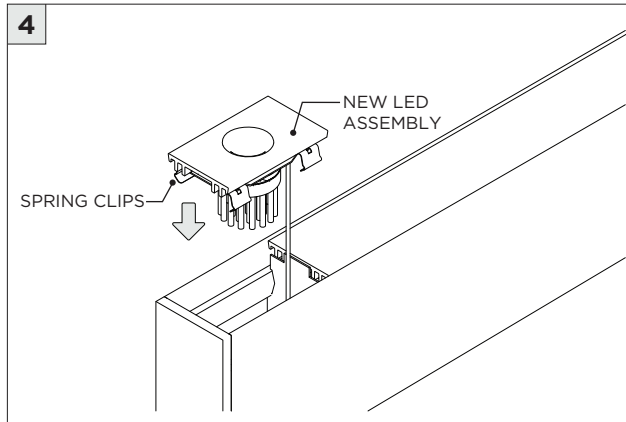
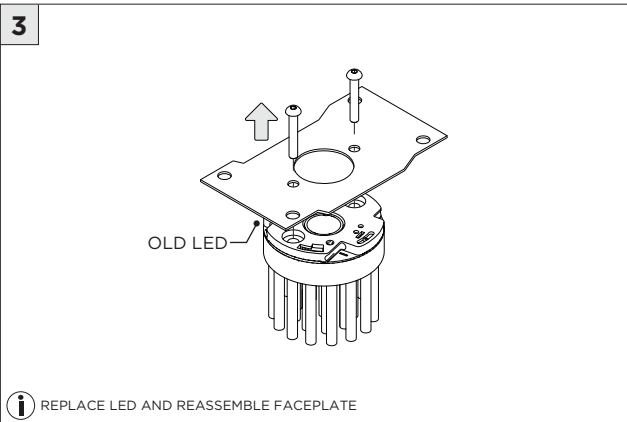
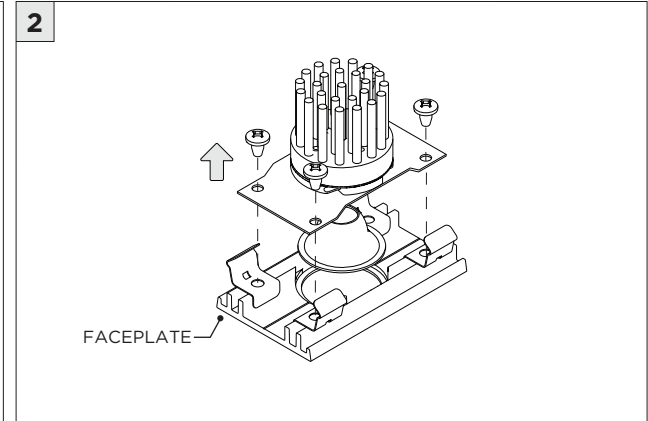
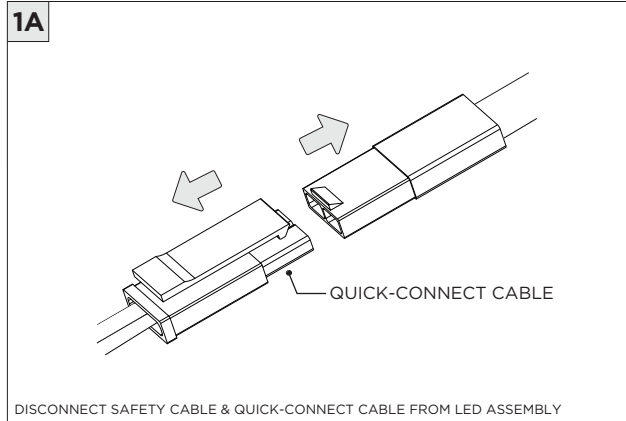
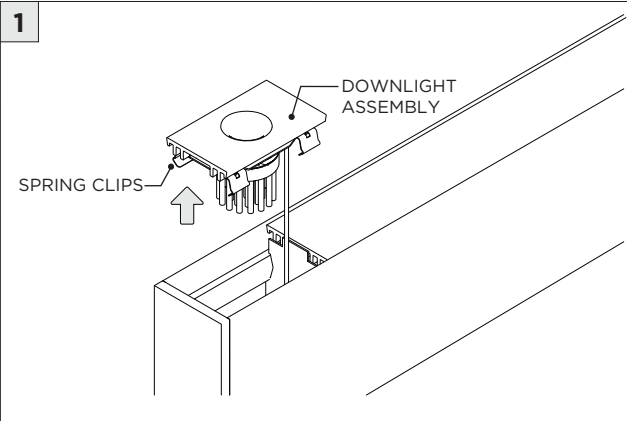
LINIA SERVICING



LED SERVICING



DOWNLIGHT SERVICING



ZOIE SERVICING

