



**3Gi-1RSL, 3Gi-2RSL, and 3Gi-4RSL**  
**1.5", 2", and 3.5" INTEGRATED RECESSED SLOT**  
 FLANGELESS/TRIM FLANGE



⚠ FOR NEW CONSTRUCTION INSTALLATION ONLY

ⓘ THE IMAGES SHOWN ARE FOR ILLUSTRATION PURPOSES ONLY AND MAY NOT BE AN EXACT REPRESENTATION OF THE PRODUCT

FIXTURE TYPES			INCLUDED COMPONENTS				
<p>3Gi-1RSL</p>	<p>3Gi-2RSL</p>	<p>3Gi-4RSL</p>	<p><b>Standalone Fixtures (2' to 8')</b></p> <p>INDIVIDUAL      LENS</p>	<p><b>Continuous Runs (9' to 16')</b></p> <p>STARTER      ENDER      LENS</p>			
<p><b>Continuous Runs (17' and longer)</b></p> <p>STARTER      JOINER      ENDER      LENS</p>			<p><b>INTEGRATED OPTIONS</b></p> <table border="0"> <tr> <td> <p><b>3G-1RSL</b></p> <p>NON ILLUMINATED</p> <p>1.5" LINIA</p> <p>ZOIE</p> <p>WALL WASH ZOIE</p> </td> <td> <p><b>3G-2RSL</b></p> <p>2" LINIA</p> <p>1" DOWNLIGHT</p> </td> <td> <p><b>3G-4RSL</b></p> <p>3.5" LINIA</p> <p>ADJUSTABLE ZOIE</p> <p>MICRO MADISON</p> <p>2" DOWNLIGHT</p> </td> </tr> </table>		<p><b>3G-1RSL</b></p> <p>NON ILLUMINATED</p> <p>1.5" LINIA</p> <p>ZOIE</p> <p>WALL WASH ZOIE</p>	<p><b>3G-2RSL</b></p> <p>2" LINIA</p> <p>1" DOWNLIGHT</p>	<p><b>3G-4RSL</b></p> <p>3.5" LINIA</p> <p>ADJUSTABLE ZOIE</p> <p>MICRO MADISON</p> <p>2" DOWNLIGHT</p>
<p><b>3G-1RSL</b></p> <p>NON ILLUMINATED</p> <p>1.5" LINIA</p> <p>ZOIE</p> <p>WALL WASH ZOIE</p>	<p><b>3G-2RSL</b></p> <p>2" LINIA</p> <p>1" DOWNLIGHT</p>	<p><b>3G-4RSL</b></p> <p>3.5" LINIA</p> <p>ADJUSTABLE ZOIE</p> <p>MICRO MADISON</p> <p>2" DOWNLIGHT</p>					

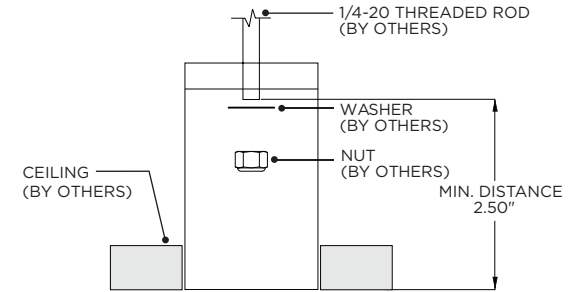
INSTRUCTION KEY	INFORMATION
⚠	ADDITIONAL
ⓘ	ATTENTION
⚡	POWER ON
ⓧ	POWER OFF
	<p>INSTALLATION SHOULD ONLY BE PERFORMED BY A CERTIFIED ELECTRICIAN          REFER TO LOCAL/NATIONAL CODES FOR PROPER INSTALLATION          FAILURE TO FOLLOW INSTALLATION INSTRUCTION MAY VOID THE WARRANTY          DO NOT TOUCH LEDS. LEDS MUST BE PROTECTED FROM MECHANICAL STRESS OR DEBRIS          TURN OFF POWER DURING INSTALLATION OR SERVICING</p>

OVERVIEW

**FLANGELESS - FX**



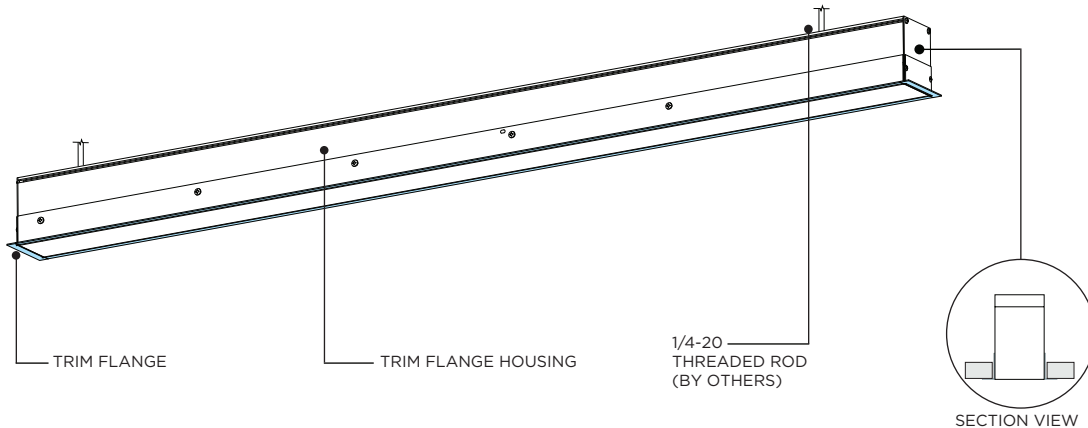
**FLANGELESS - FX**



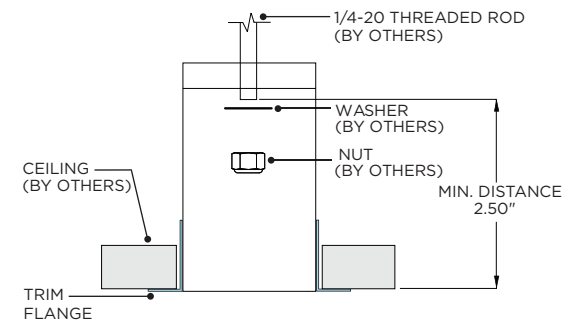
**FLANGELESS - FX - CEILING CUT-OUT DIMENSIONS**

FIXTURE TYPE	WIDTH	LENGTH
3Gi-1RSL	1.600"	LENGTH + 0.125"
3Gi-2RSL	2.063"	LENGTH + 0.125"
3Gi-4RSL	3.490"	LENGTH + 0.125"

**WHITE TRIM FLANGE - WT**



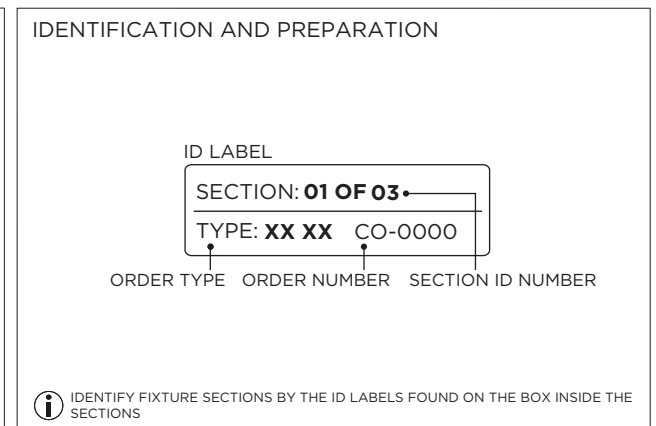
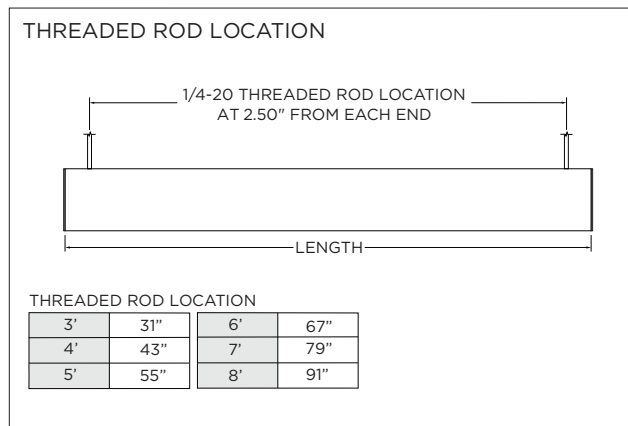
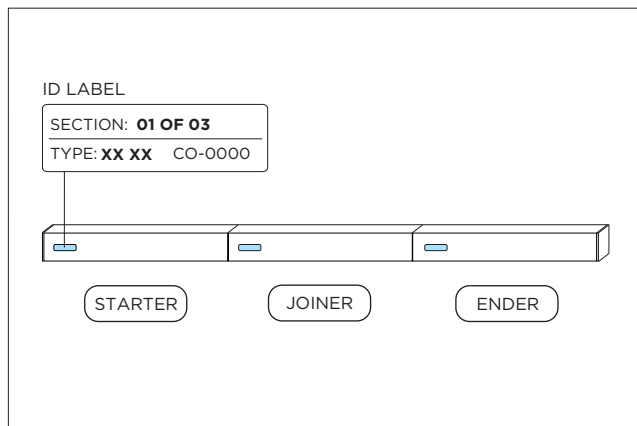
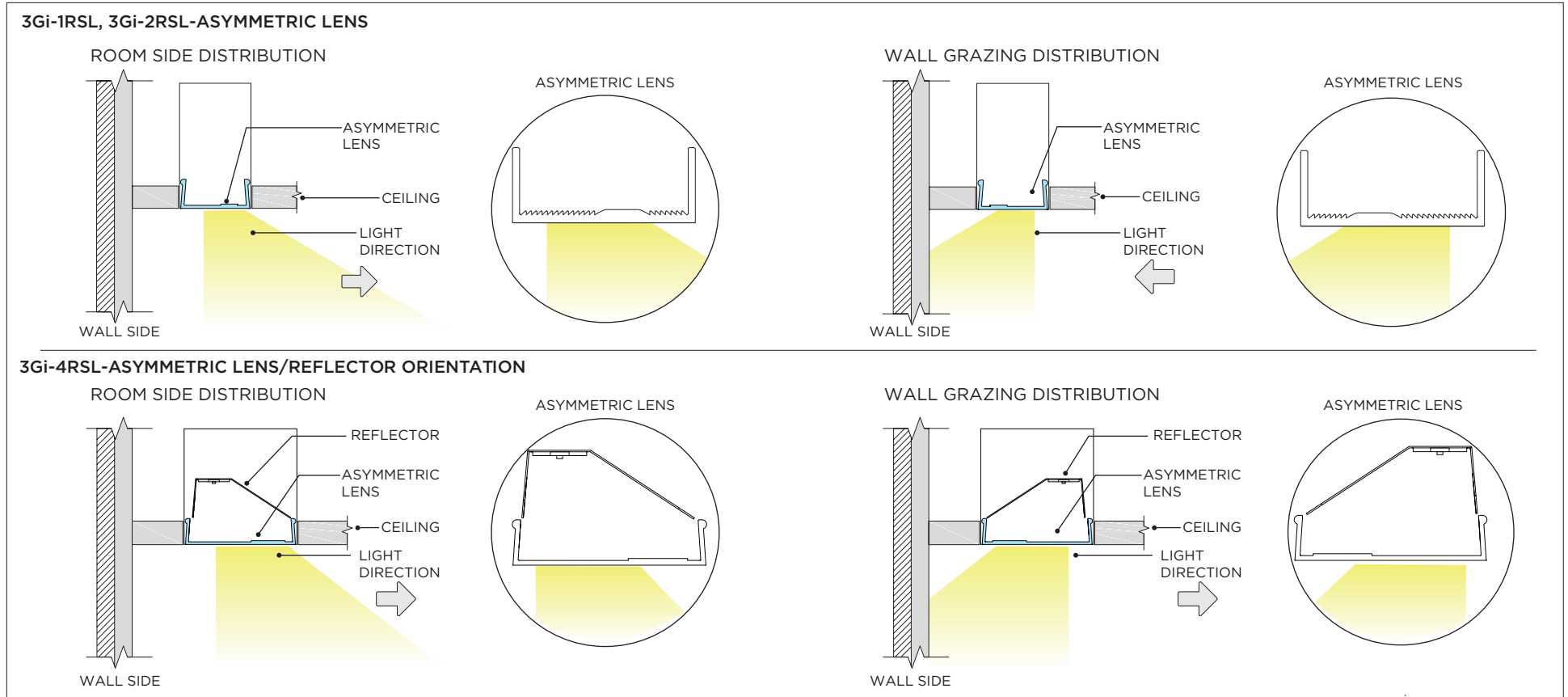
**WHITE TRIM FLANGE - WT**

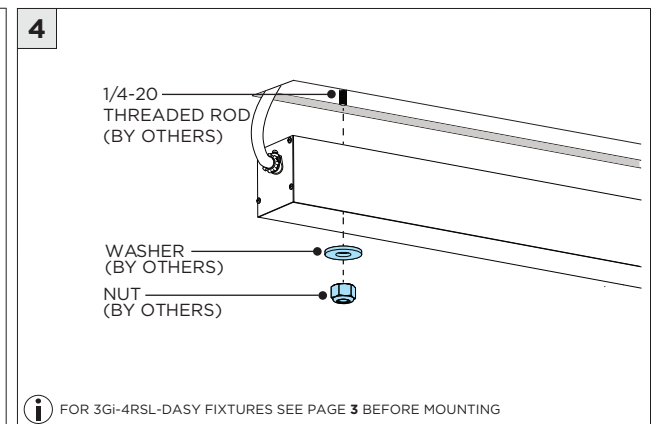
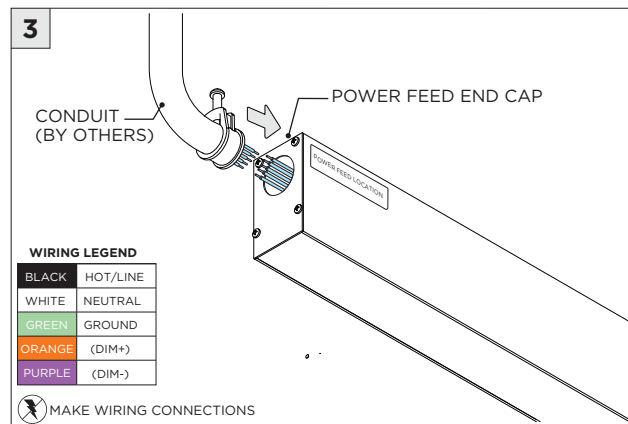
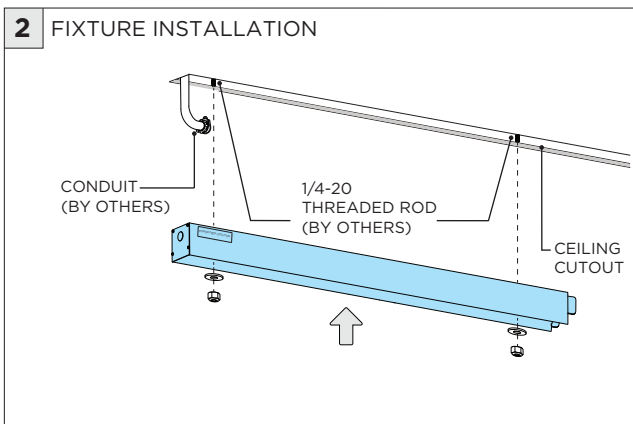
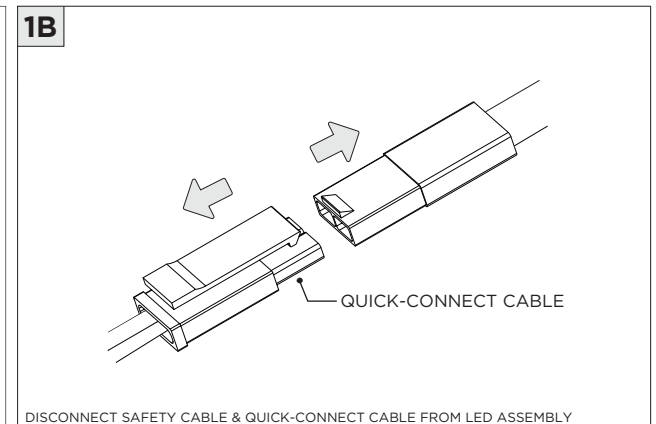
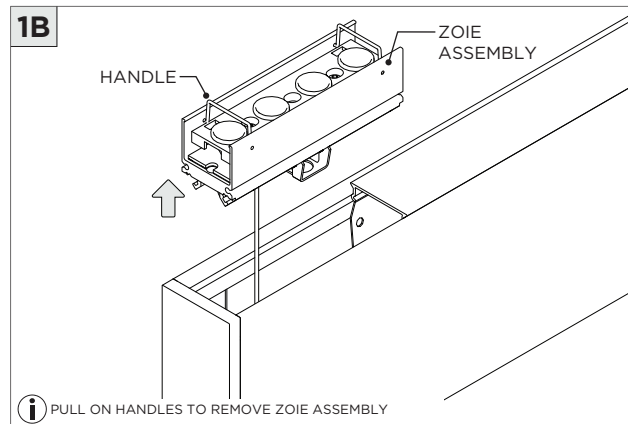
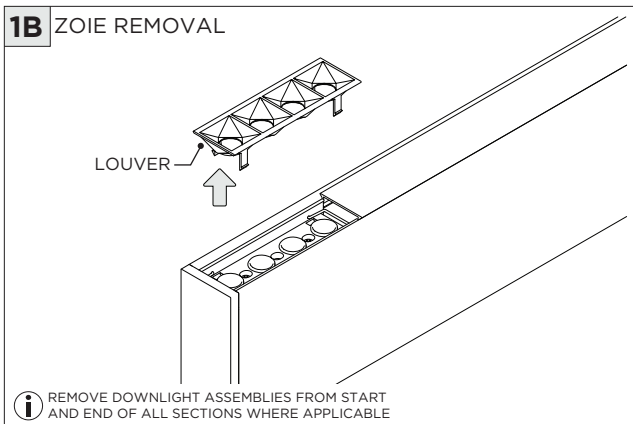
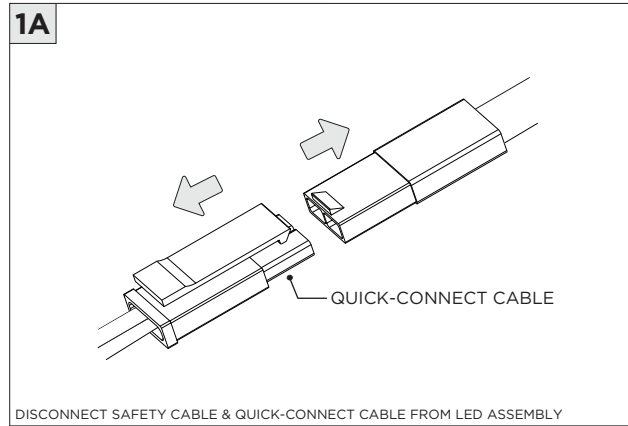
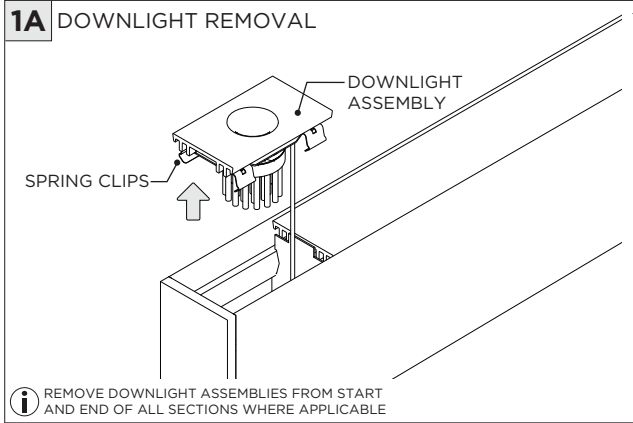


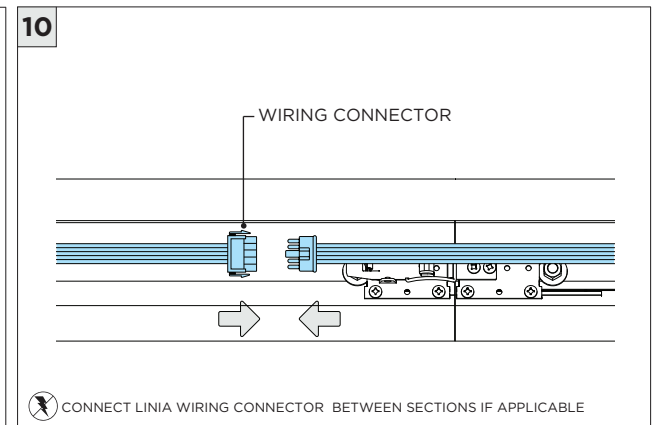
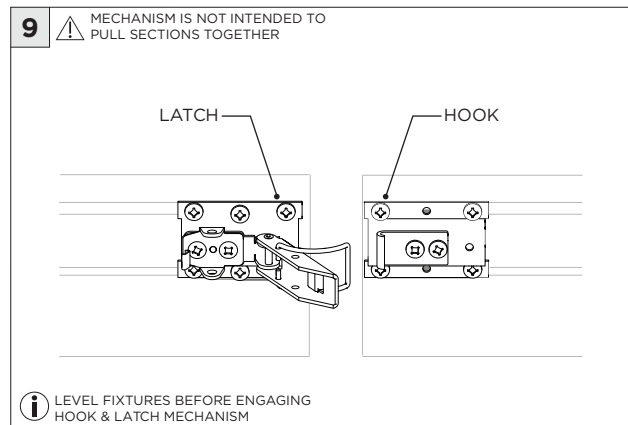
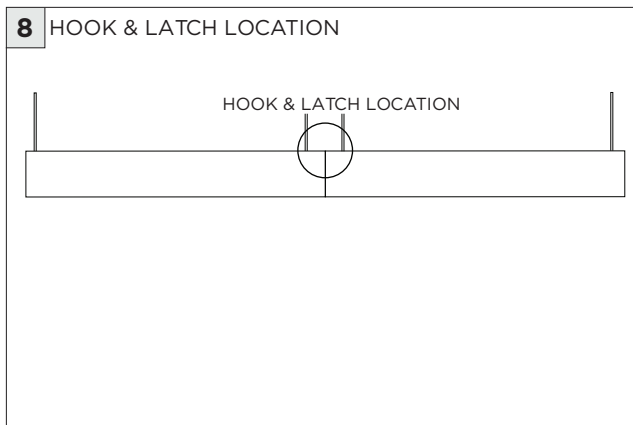
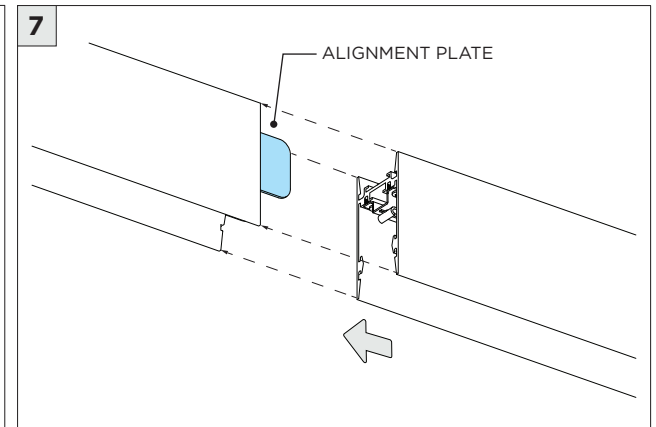
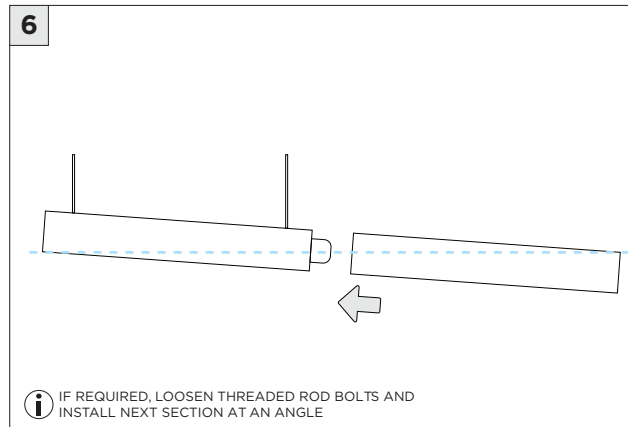
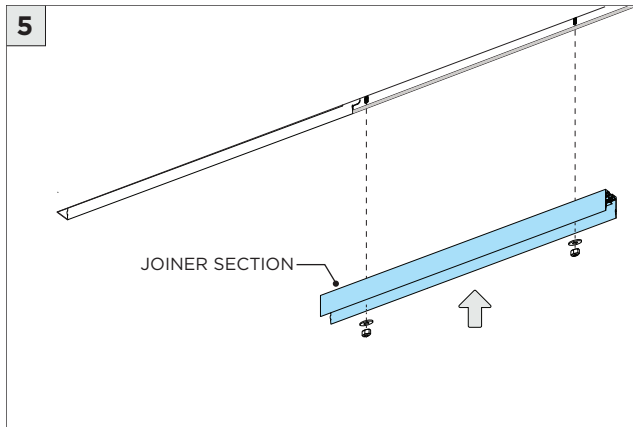
**WHITE TRIM FLANGE - WT - CEILING CUT-OUT DIMENSIONS**

FIXTURE TYPE	WIDTH	LENGTH
3Gi-1RSL	2.150"	LENGTH + 0.380"
3Gi-2RSL	2.300"	LENGTH + 0.380"
3Gi-4RSL	3.750"	LENGTH + 0.380"

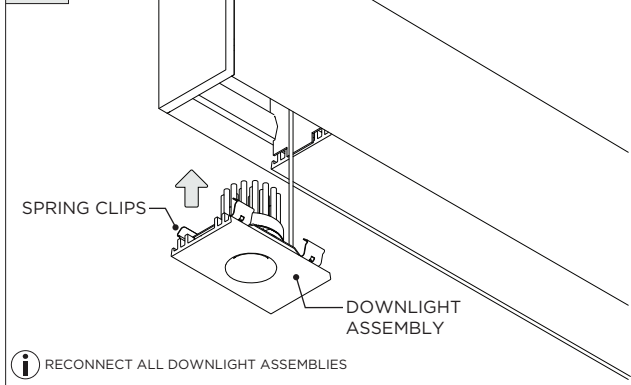
ASYMMETRIC LENS ORIENTATION



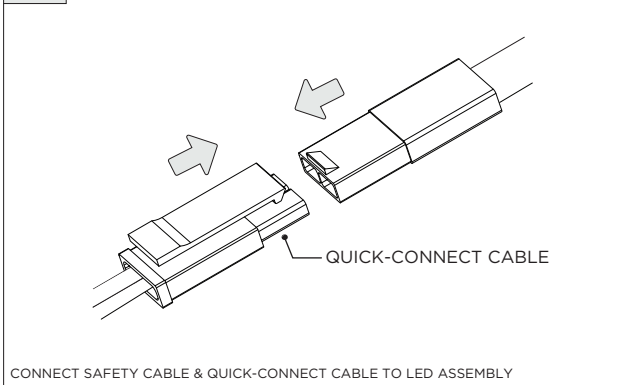




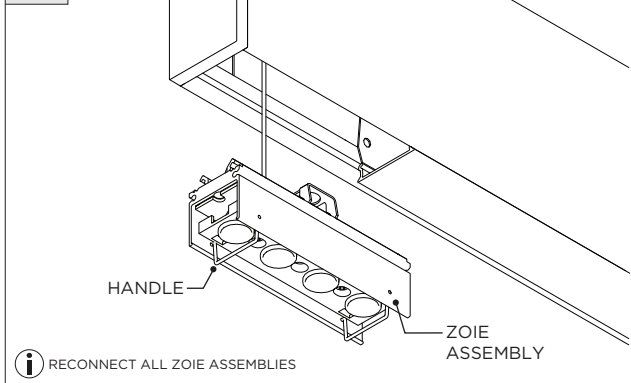
**11A** DOWNLIGHT INSTALLATION



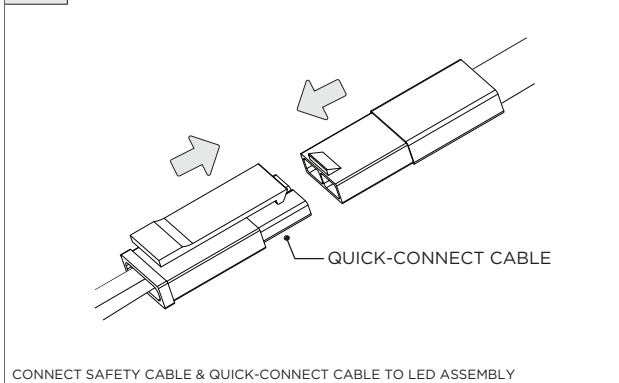
**11A**



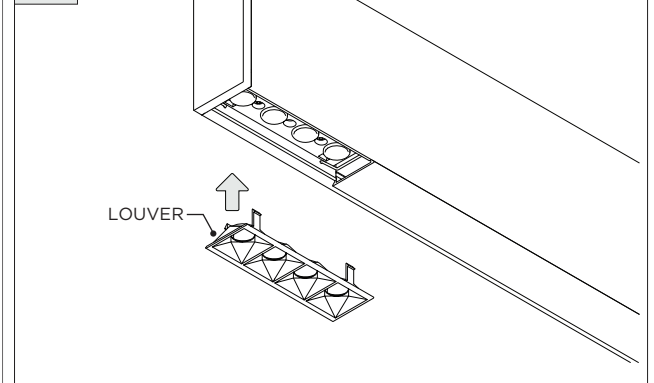
**11B** ZOIE INSTALLATION



**11B**

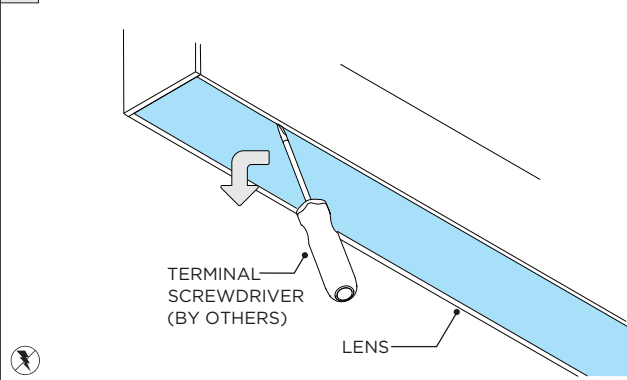


**11B**

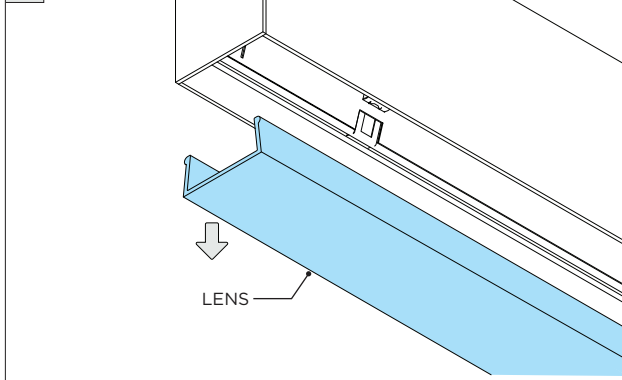


**DRIVER SERVICING**

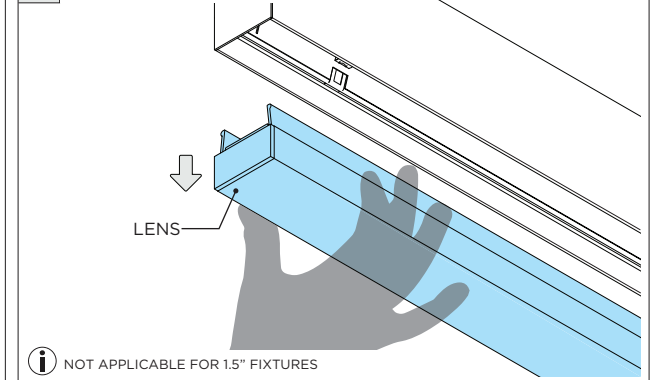
**1 FLUSH LENS REMOVAL**



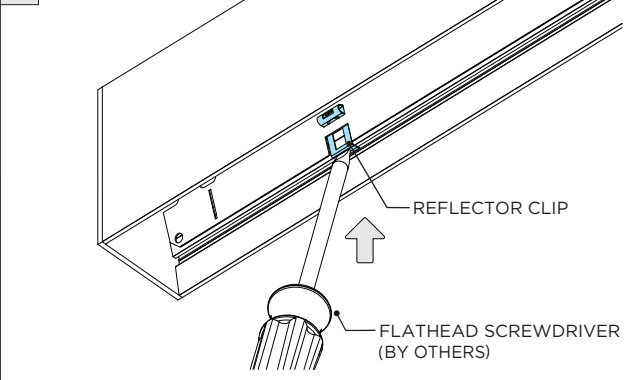
**2**



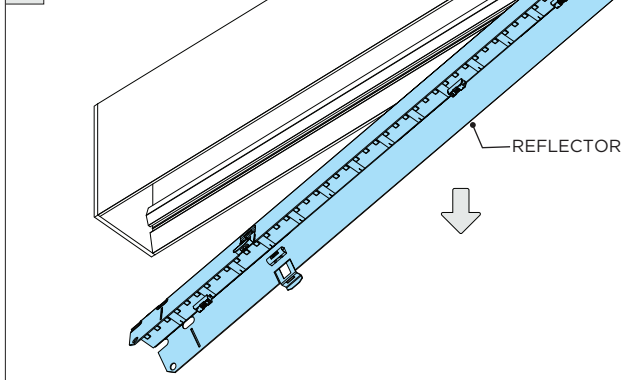
**2A DROP LENS REMOVAL**



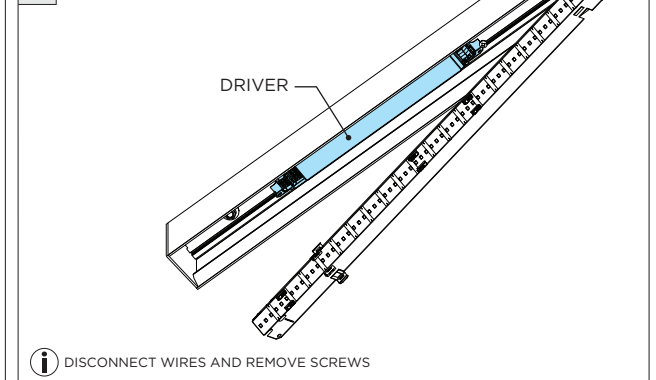
**3**



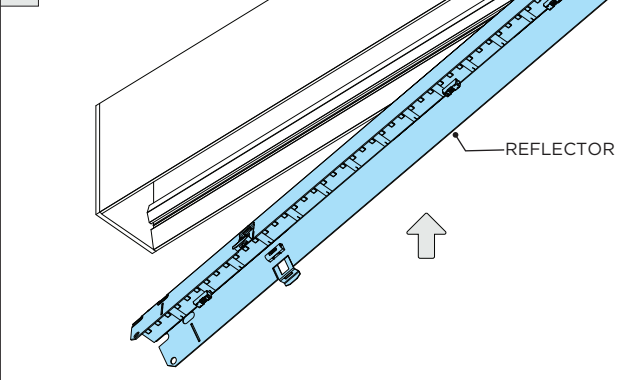
**4**



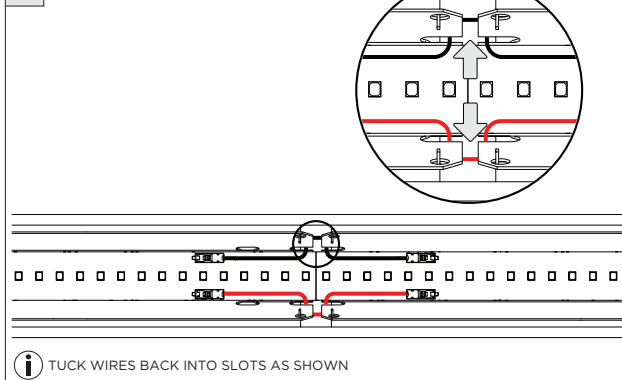
**5**



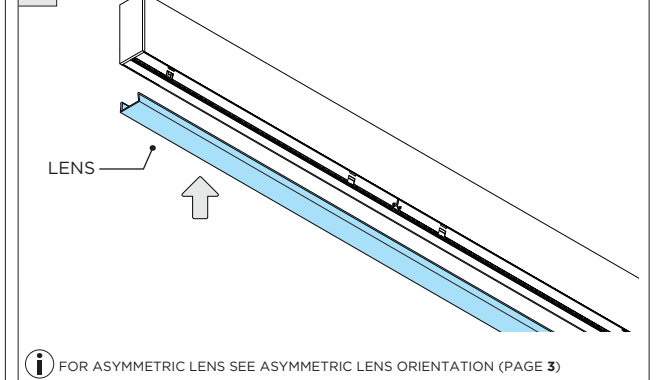
**6**



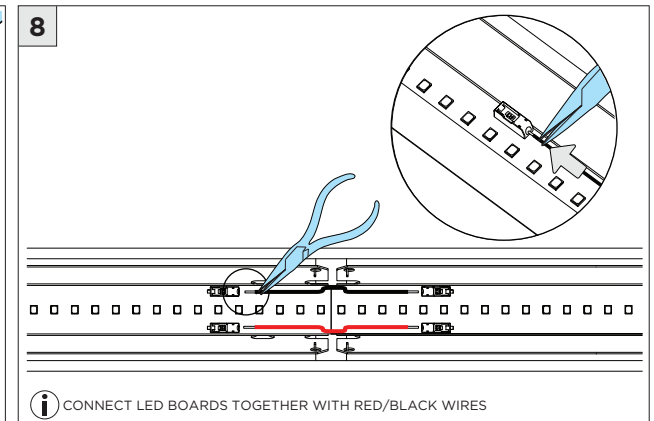
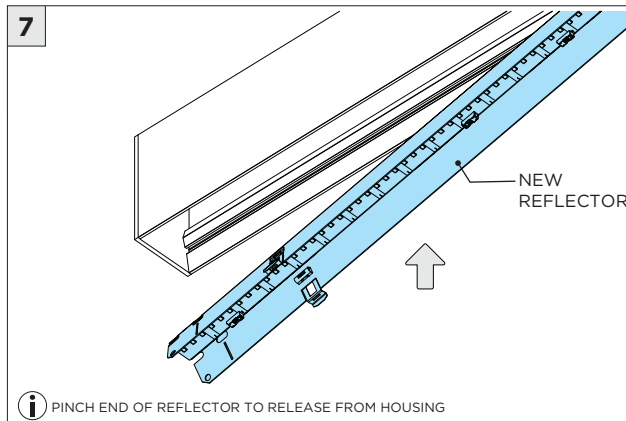
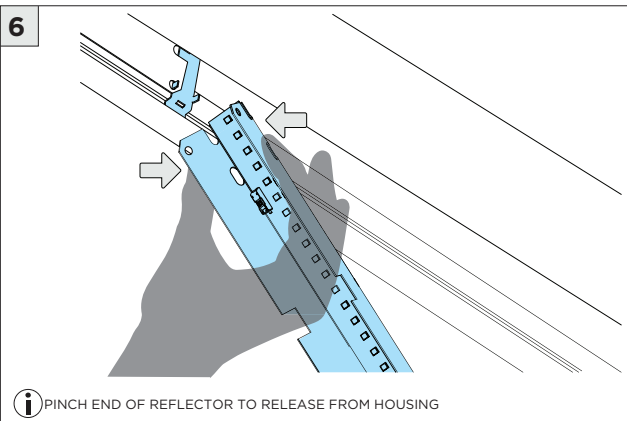
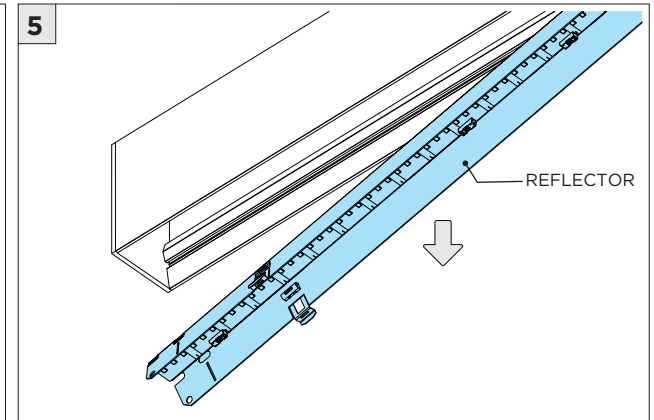
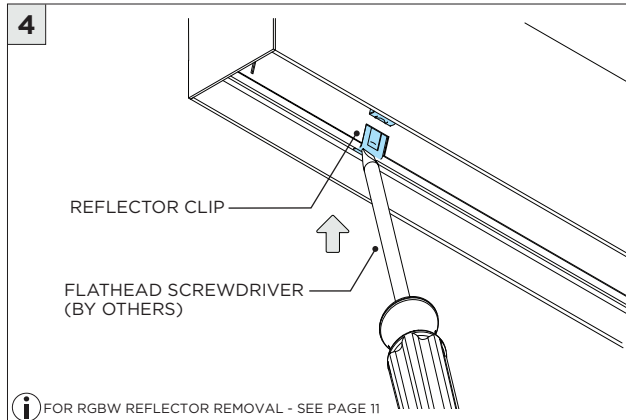
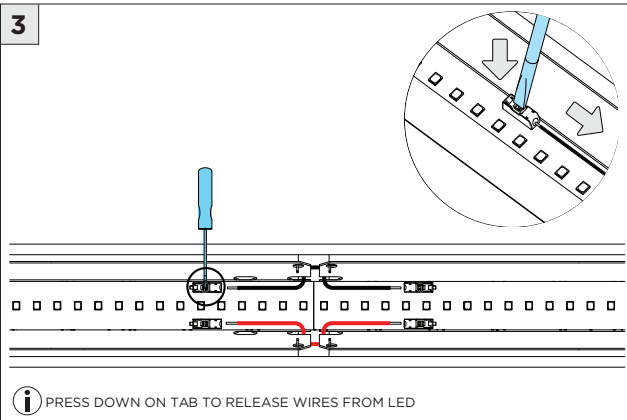
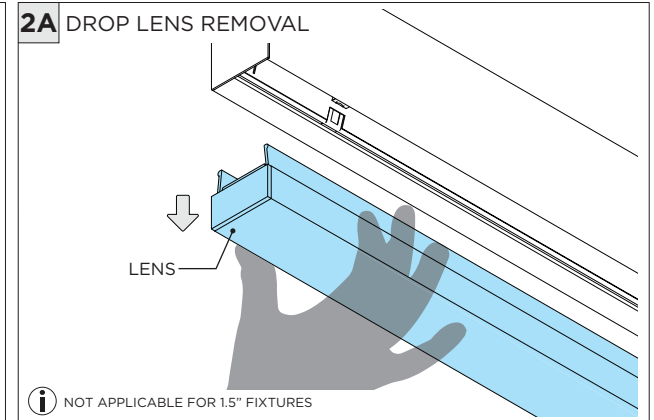
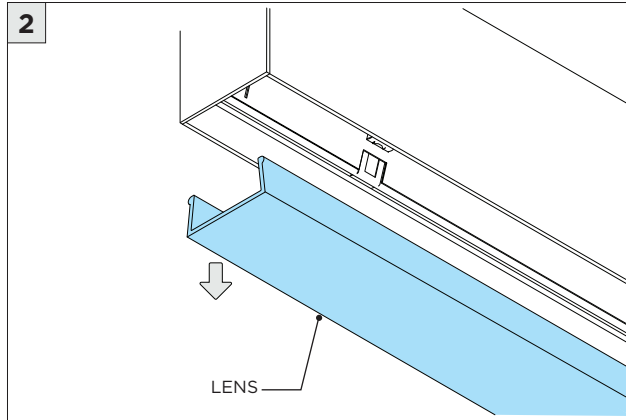
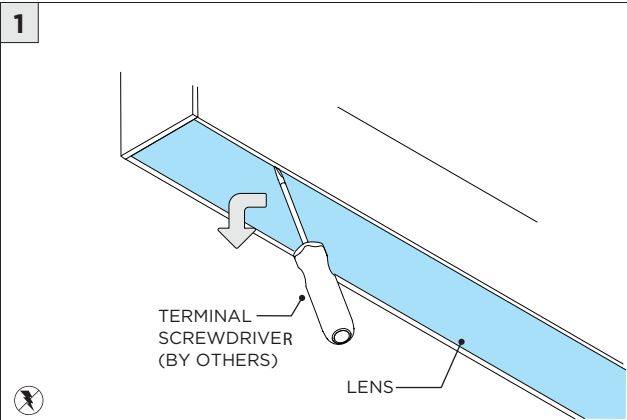
**7**



**8**



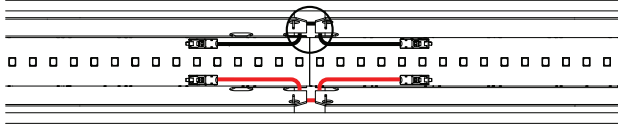
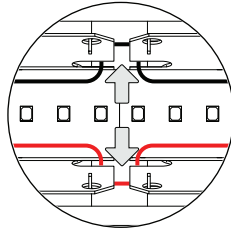
**LINIA SERVICING**





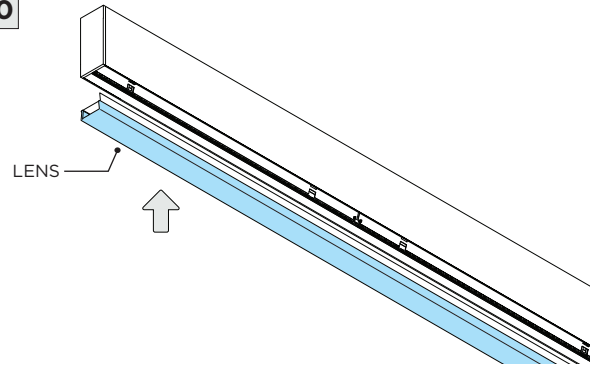
**LED SERVICING**

**9**



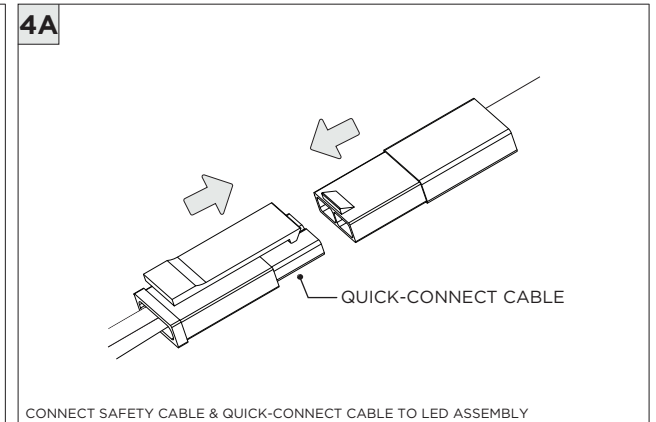
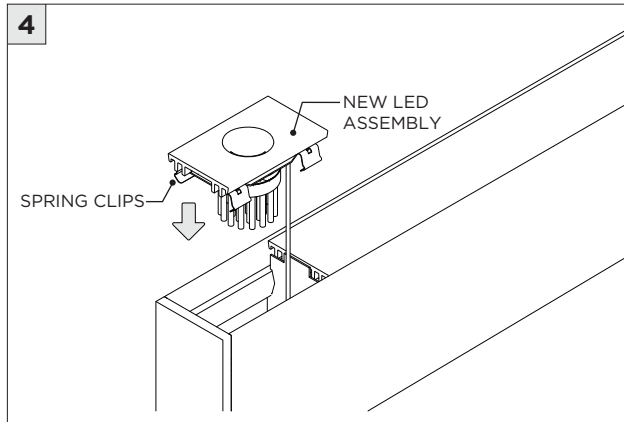
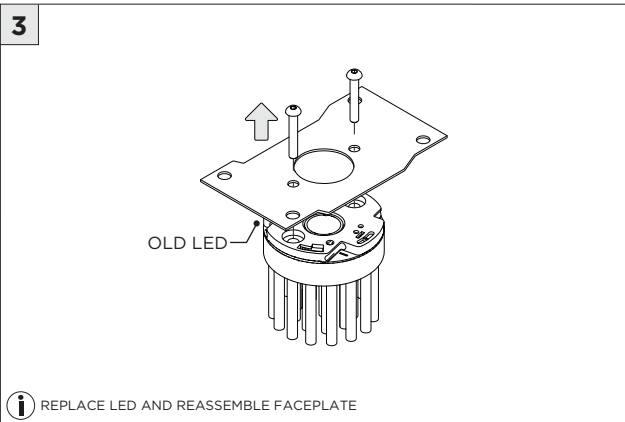
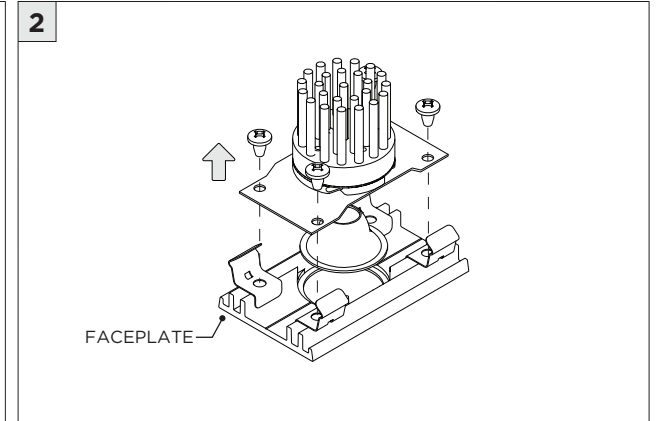
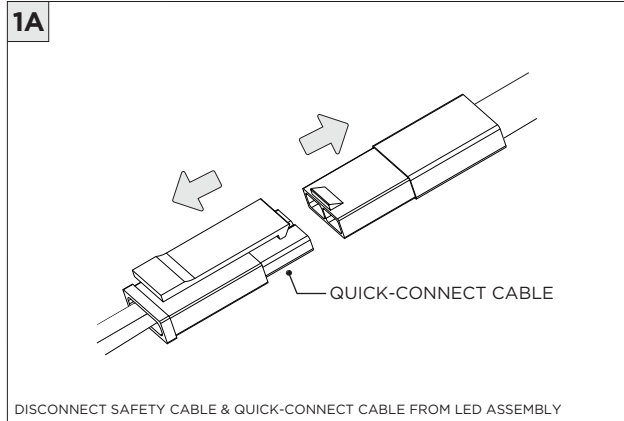
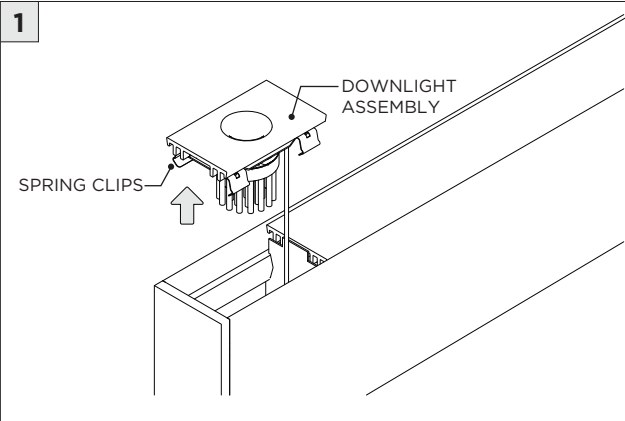
**i** TUCK WIRES BACK INTO SLOTS AS SHOWN

**10**



**i** FOR ASYMMETRIC LENS SEE ASYMMETRIC LENS ORIENTATION (PAGE 3)

**DOWNLIGHT SERVICING**



**ZOIE SERVICING**

