



3Gi-1RSL, 3Gi-2RSL, and 3Gi-4RSL
1.5", 2", and 3.5" INTEGRATED RECESSED SLOT
 TRIMLESS FLANGE



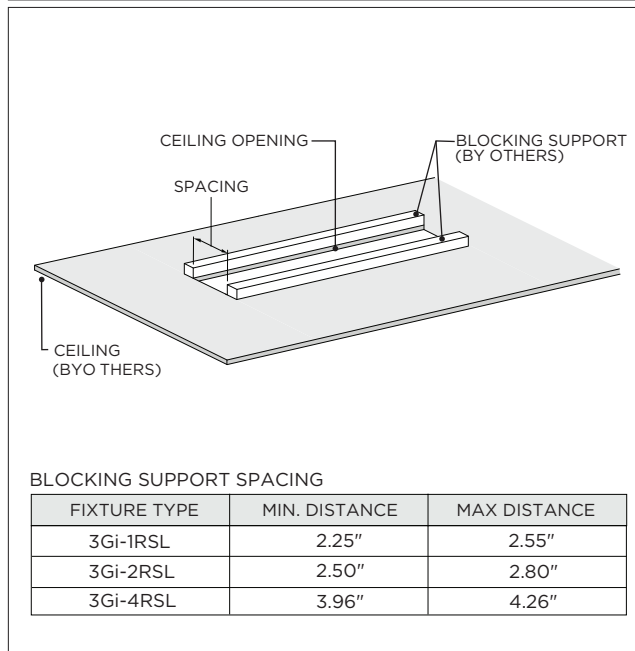
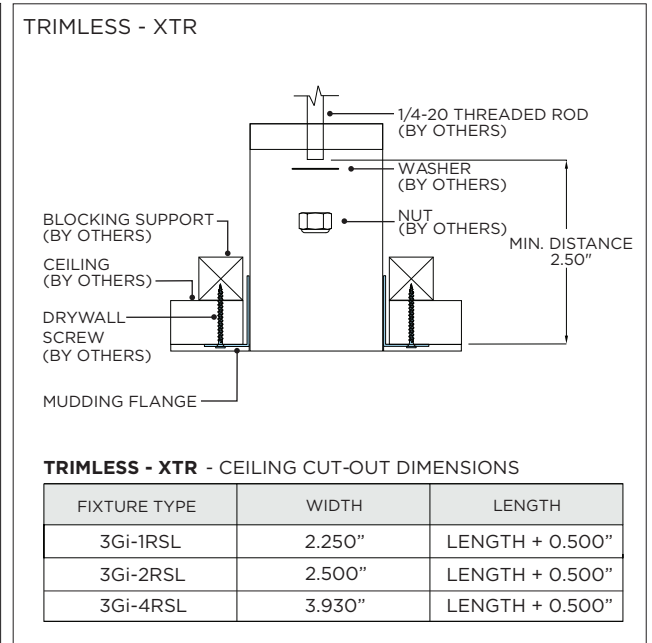
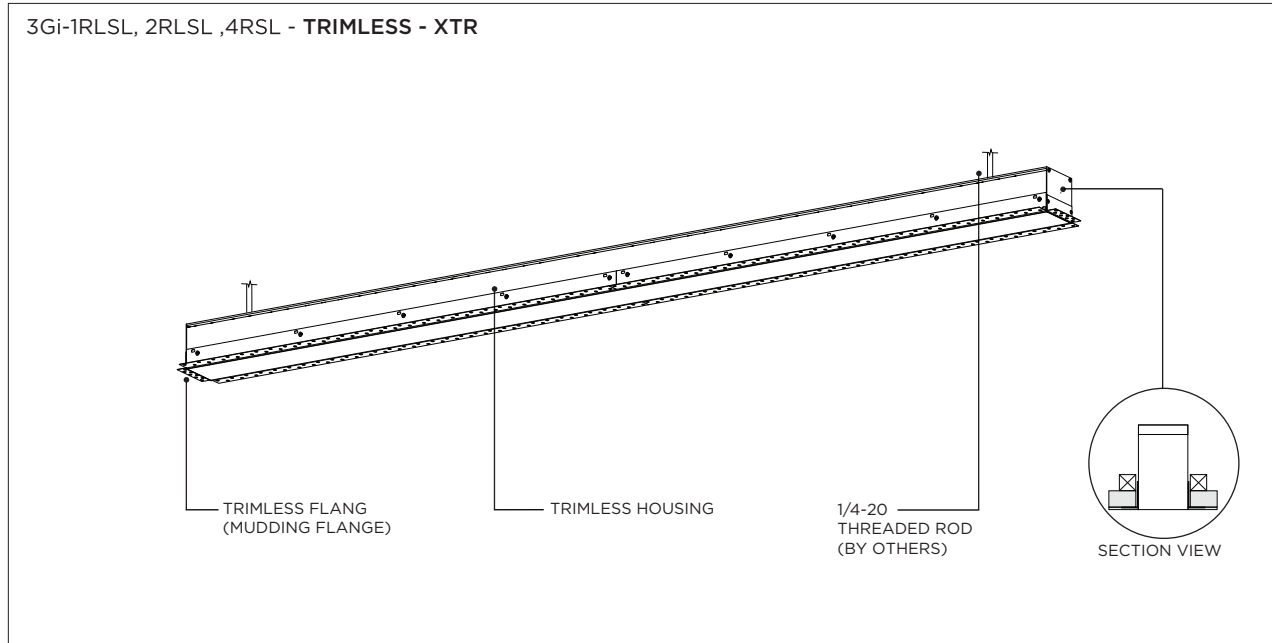
⚠ FOR NEW CONSTRUCTION INSTALLATION ONLY

ⓘ THE IMAGES SHOWN ARE FOR ILLUSTRATION PURPOSES ONLY AND MAY NOT BE AN EXACT REPRESENTATION OF THE PRODUCT

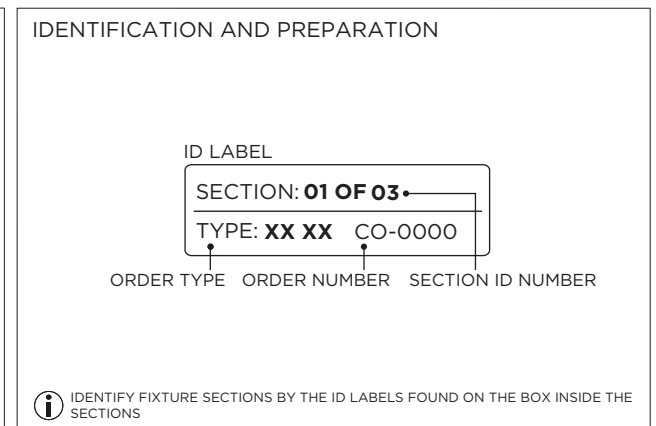
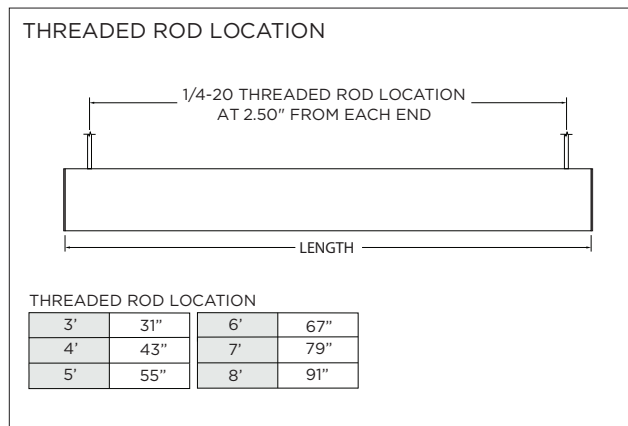
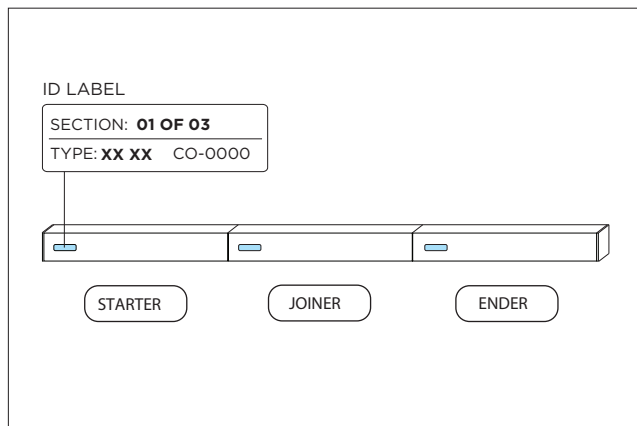
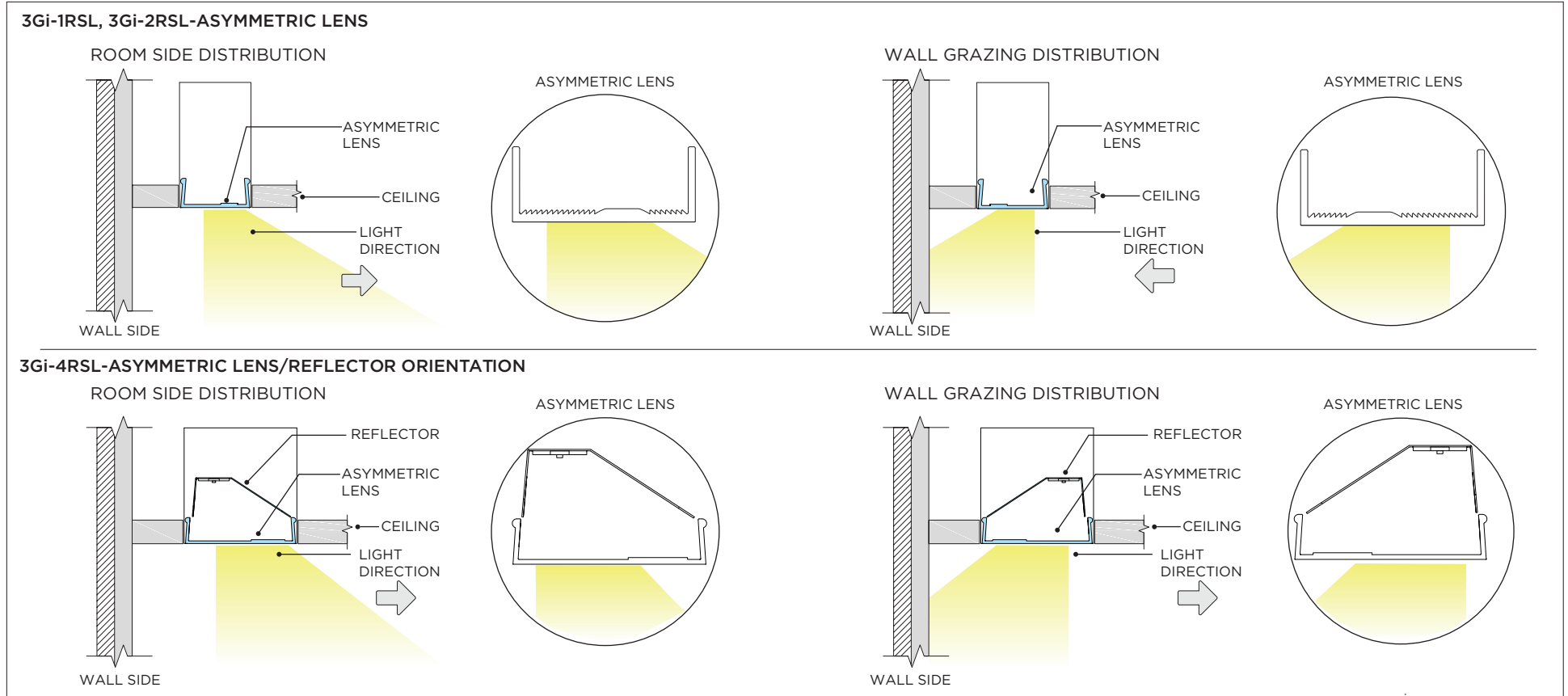
FIXTURE TYPES			INCLUDED COMPONENTS				
<p>3Gi-1RSL</p>	<p>3Gi-2RSL</p>	<p>3Gi-4RSL</p>	<p>Standalone Fixtures (2' to 8')</p> <p>INDIVIDUAL LENS</p>	<p>Continuous Runs (9' to 16')</p> <p>STARTER ENDER LENS</p>			
<p>Continuous Runs (17' and longer)</p> <p>STARTER JOINER ENDER LENS</p>			<p>INTEGRATED OPTIONS</p> <table border="0"> <tr> <td> <p>3G-1RSL</p> <p>NON ILLUMINATED</p> <p>1.5" LINIA</p> <p>ZOIE</p> <p>WALL WASH ZOIE</p> </td> <td> <p>3G-2RSL</p> <p>2" LINIA</p> <p>1" DOWNLIGHT</p> </td> <td> <p>3G-4RSL</p> <p>3.5" LINIA</p> <p>ADJUSTABLE ZOIE</p> <p>MICRO MADISON</p> <p>2" DOWNLIGHT</p> </td> </tr> </table>		<p>3G-1RSL</p> <p>NON ILLUMINATED</p> <p>1.5" LINIA</p> <p>ZOIE</p> <p>WALL WASH ZOIE</p>	<p>3G-2RSL</p> <p>2" LINIA</p> <p>1" DOWNLIGHT</p>	<p>3G-4RSL</p> <p>3.5" LINIA</p> <p>ADJUSTABLE ZOIE</p> <p>MICRO MADISON</p> <p>2" DOWNLIGHT</p>
<p>3G-1RSL</p> <p>NON ILLUMINATED</p> <p>1.5" LINIA</p> <p>ZOIE</p> <p>WALL WASH ZOIE</p>	<p>3G-2RSL</p> <p>2" LINIA</p> <p>1" DOWNLIGHT</p>	<p>3G-4RSL</p> <p>3.5" LINIA</p> <p>ADJUSTABLE ZOIE</p> <p>MICRO MADISON</p> <p>2" DOWNLIGHT</p>					

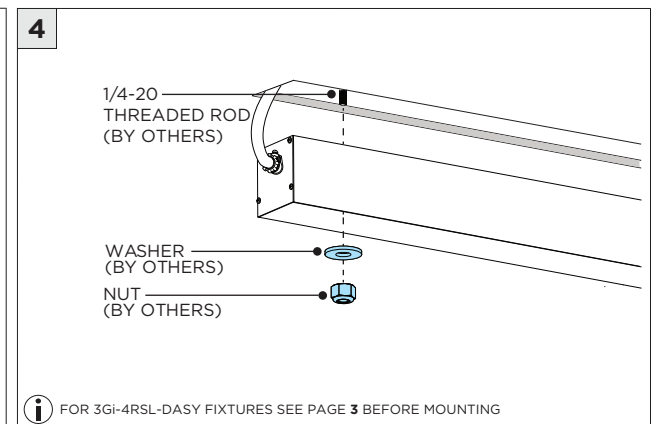
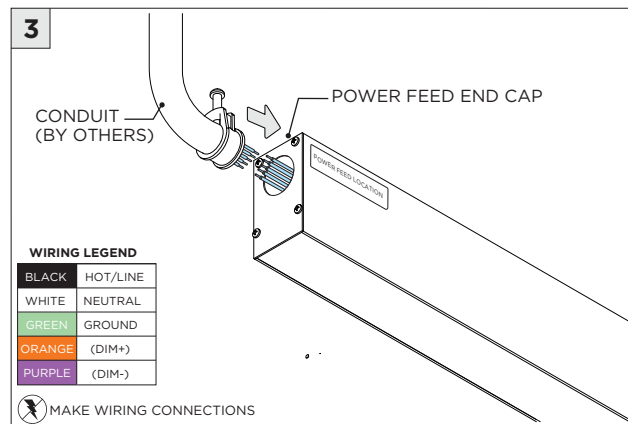
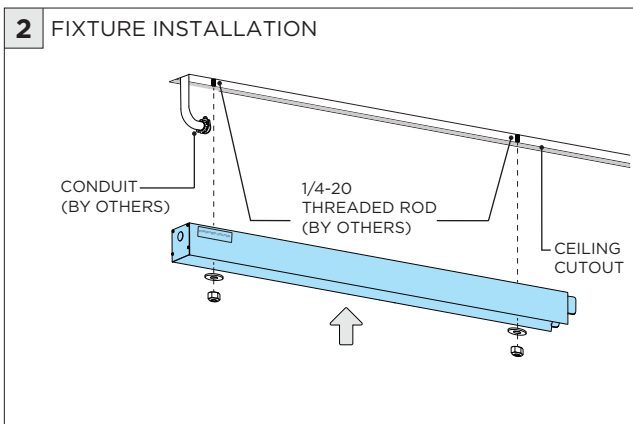
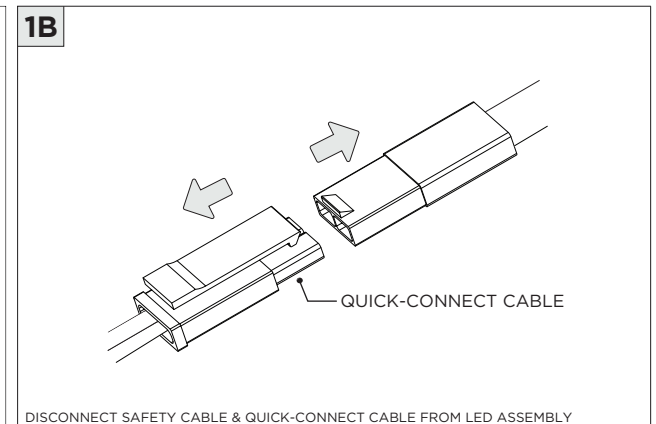
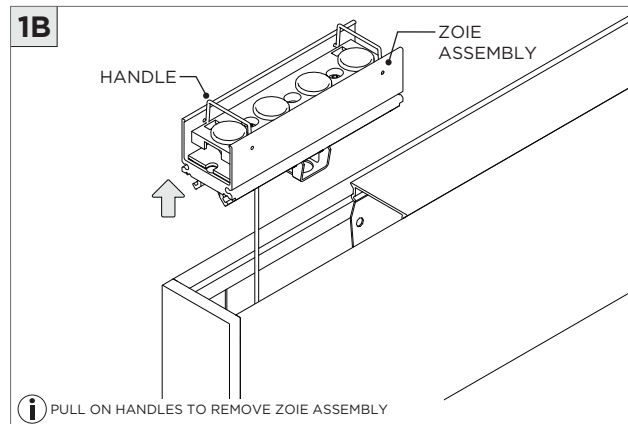
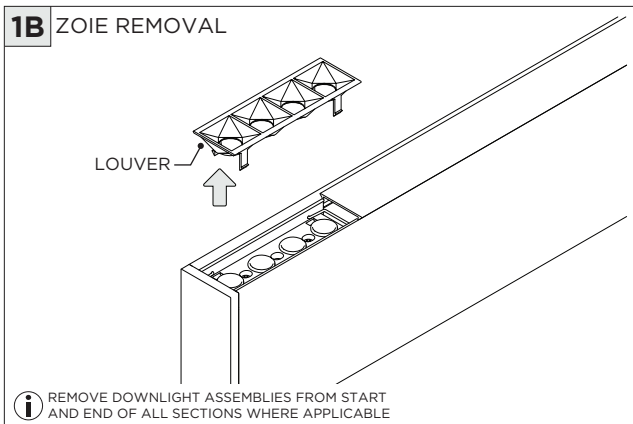
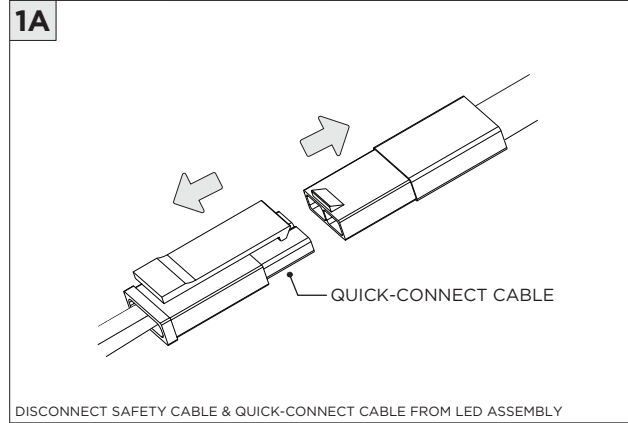
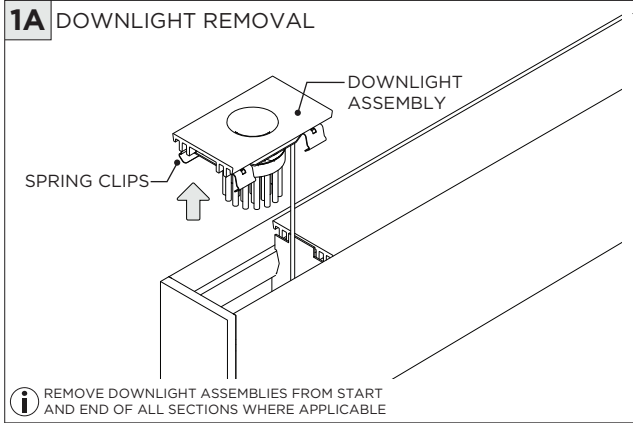
INSTRUCTION KEY	INFORMATION
⚠	ADDITIONAL
ⓘ	ATTENTION
⚡	POWER ON
⏻	POWER OFF
	<p>INSTALLATION SHOULD ONLY BE PERFORMED BY A CERTIFIED ELECTRICIAN REFER TO LOCAL/NATIONAL CODES FOR PROPER INSTALLATION FAILURE TO FOLLOW INSTALLATION INSTRUCTION MAY VOID THE WARRANTY DO NOT TOUCH LEDS. LEDS MUST BE PROTECTED FROM MECHANICAL STRESS OR DEBRIS TURN OFF POWER DURING INSTALLATION OR SERVICING</p>

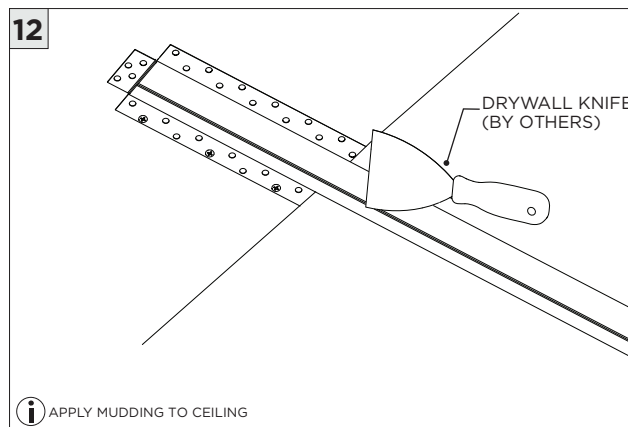
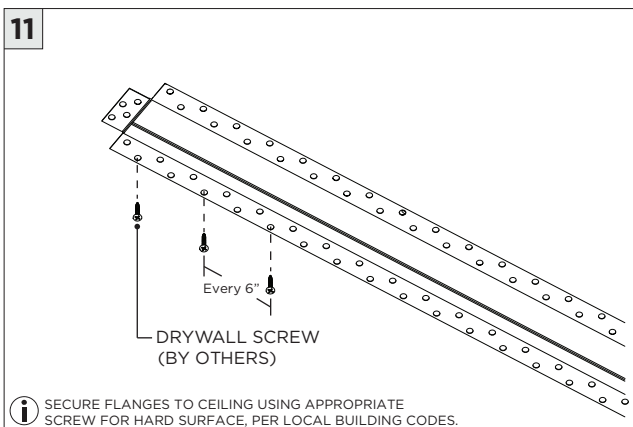
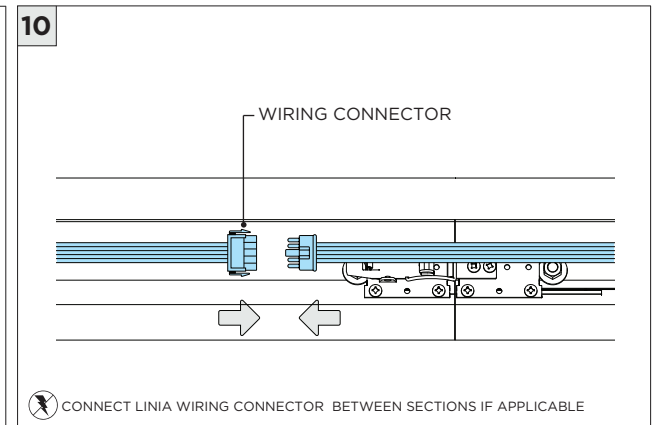
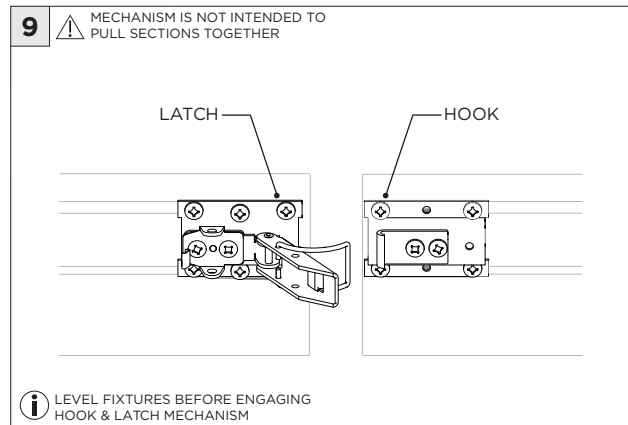
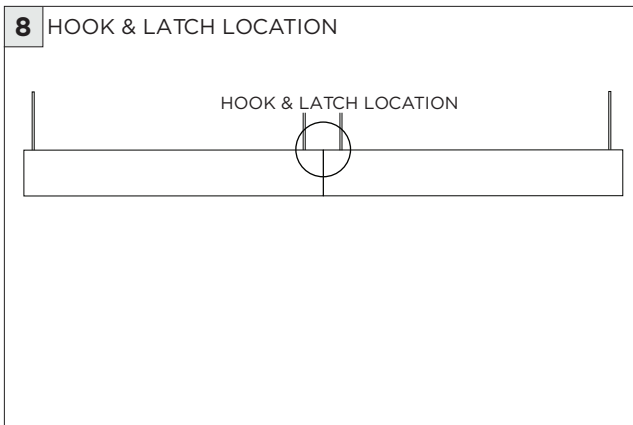
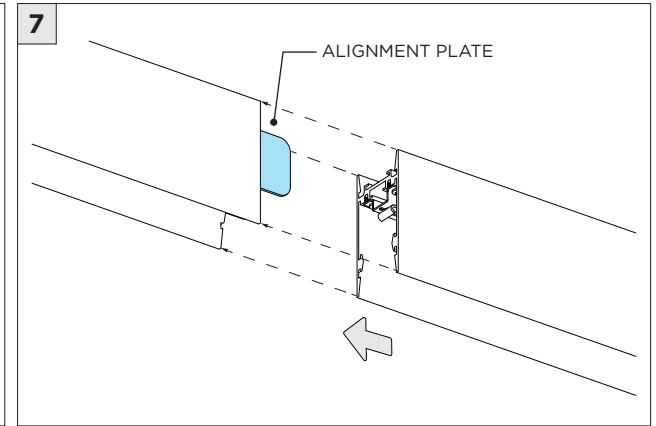
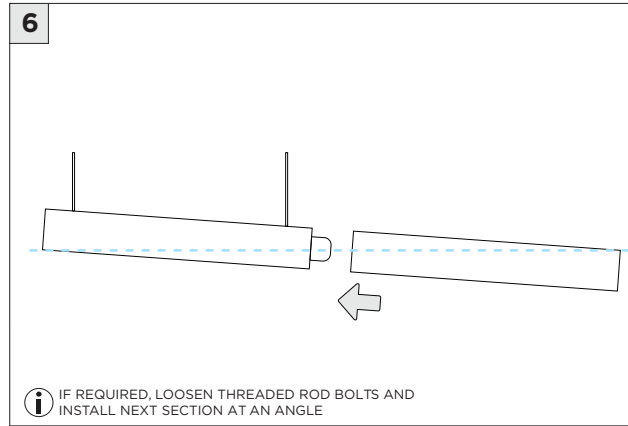
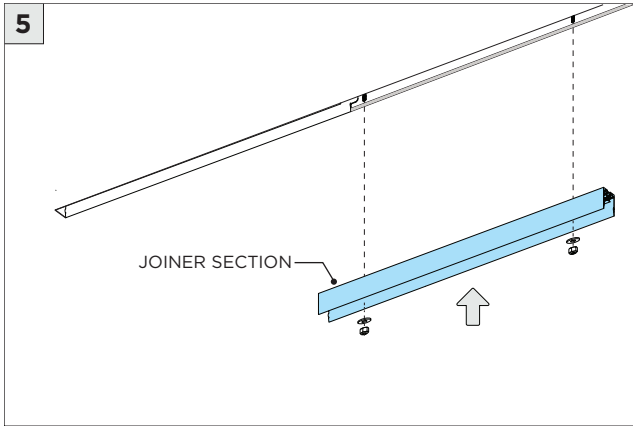
OVERVIEW

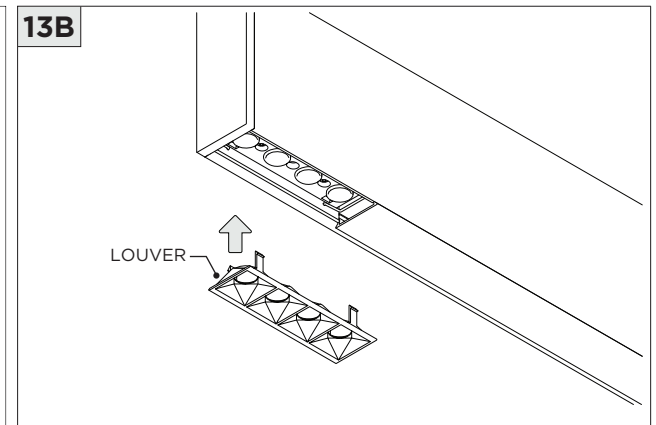
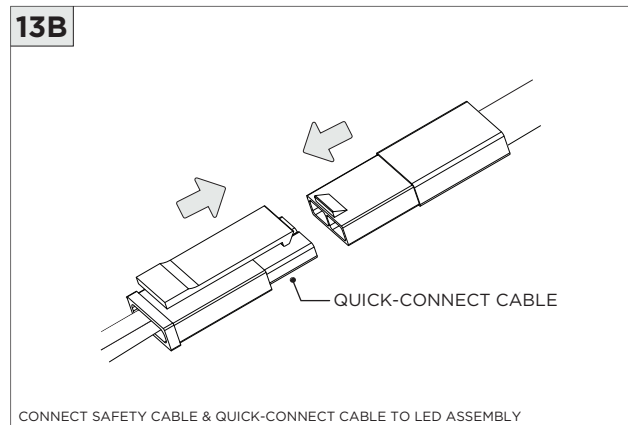
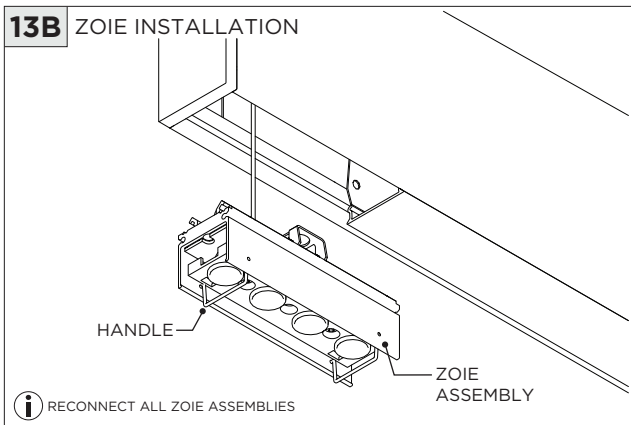
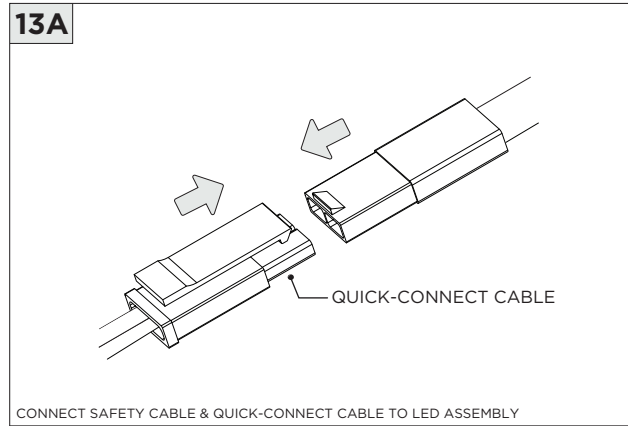
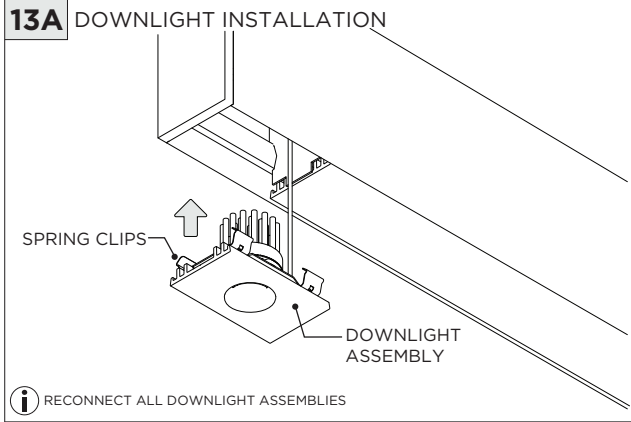


ASYMMETRIC LENS ORIENTATION



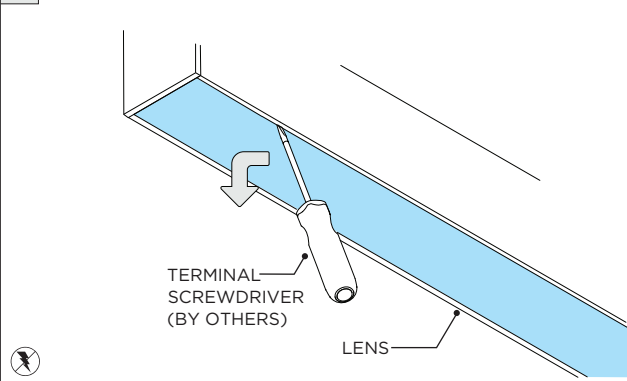




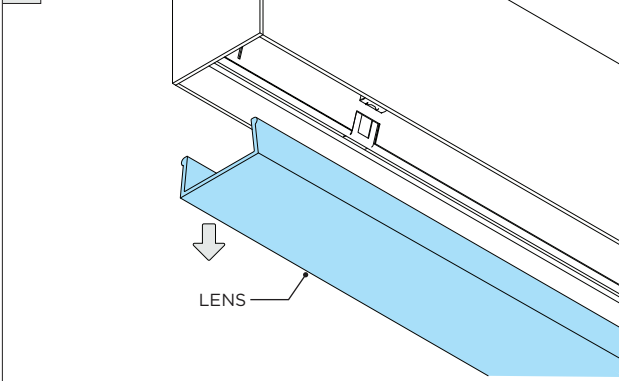


DRIVER SERVICING

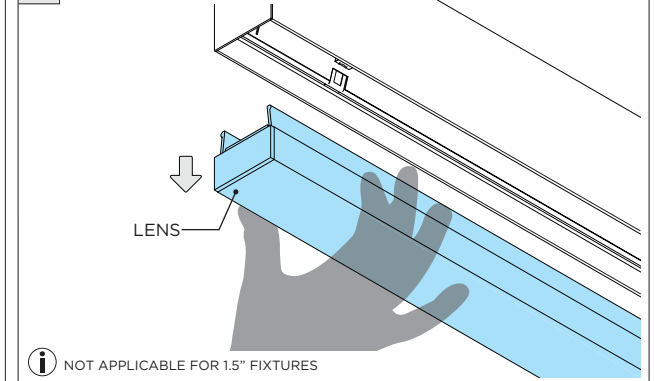
1 FLUSH LENS REMOVAL



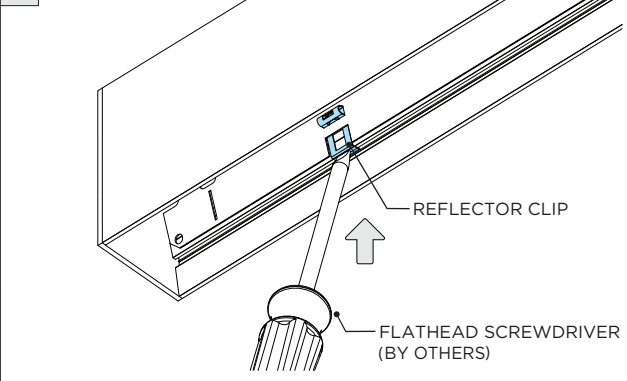
2



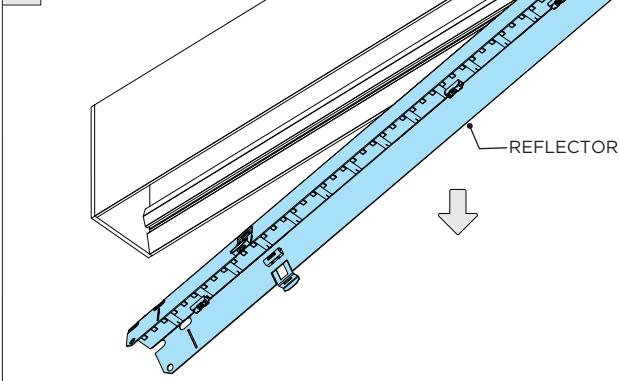
2A DROP LENS REMOVAL



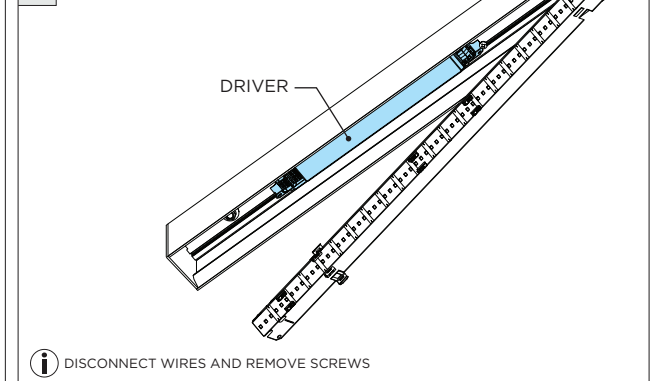
3



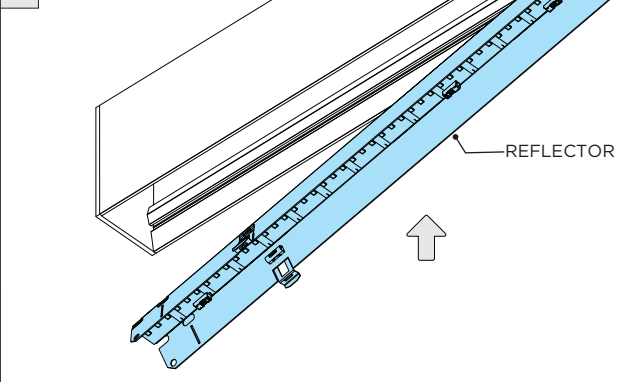
4



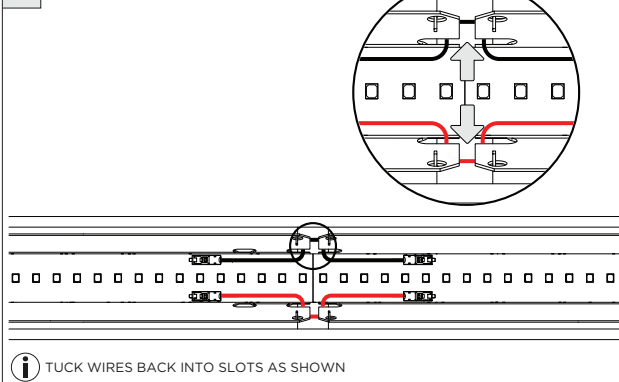
5



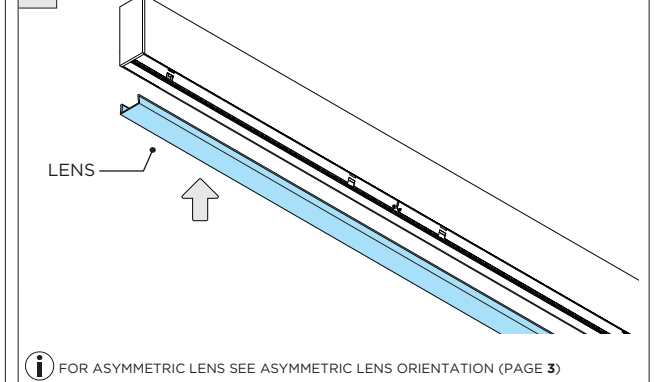
6



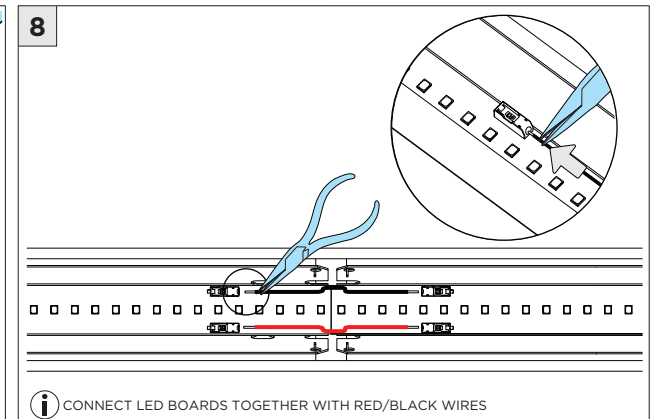
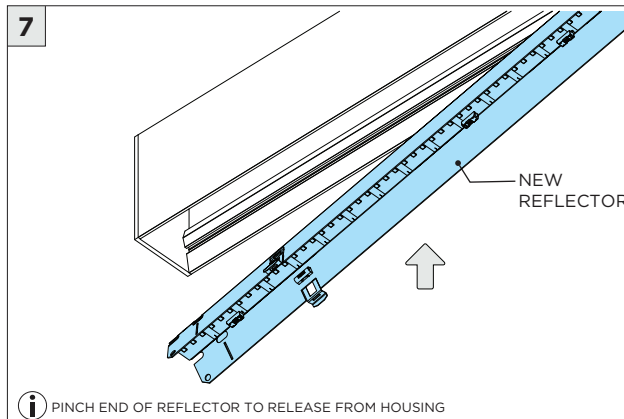
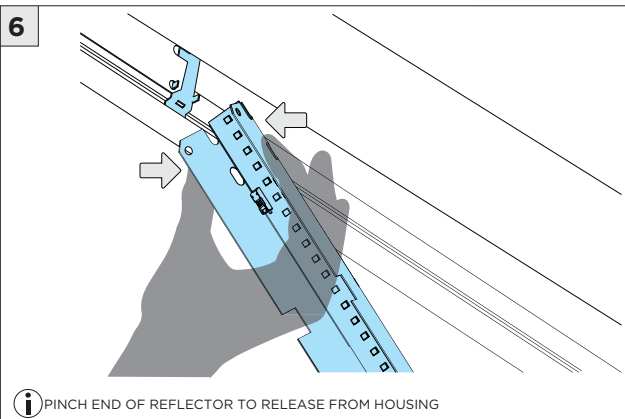
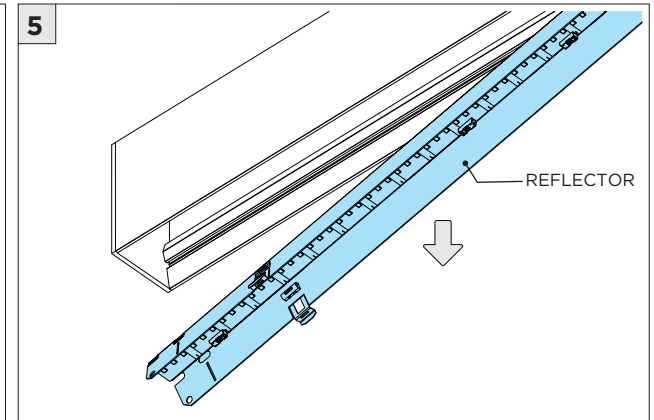
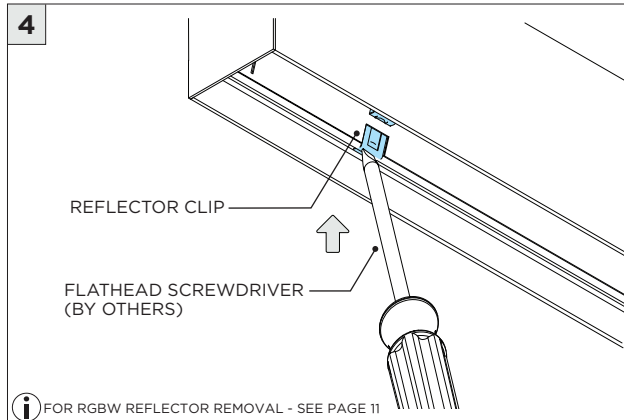
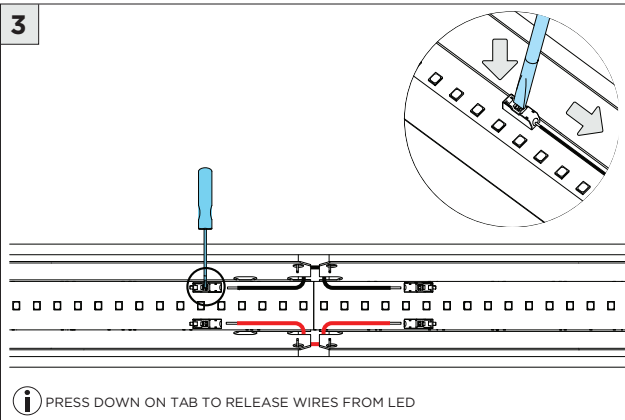
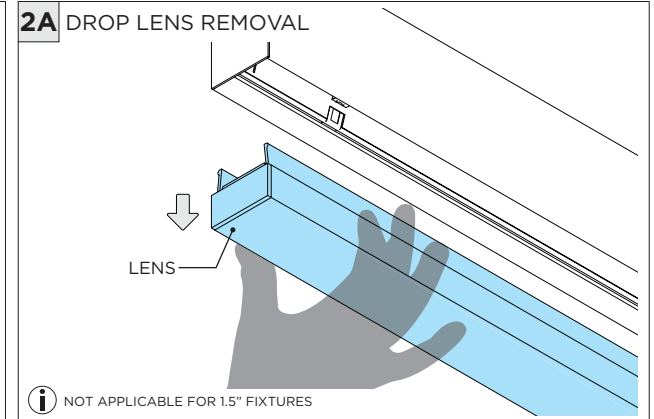
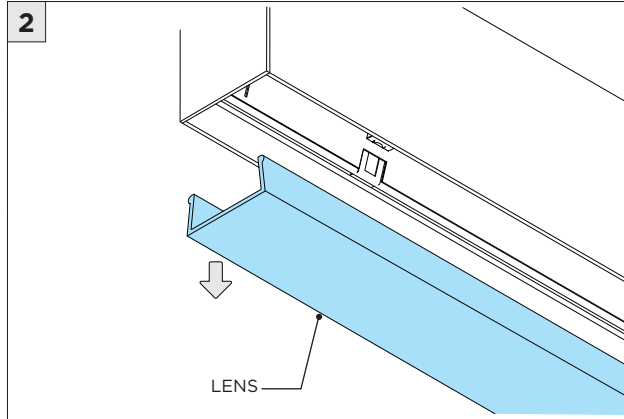
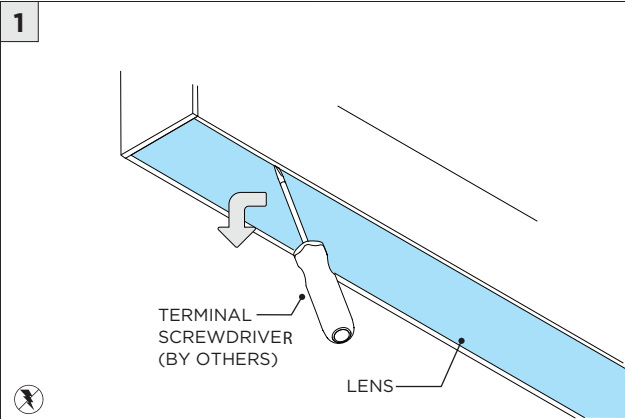
7



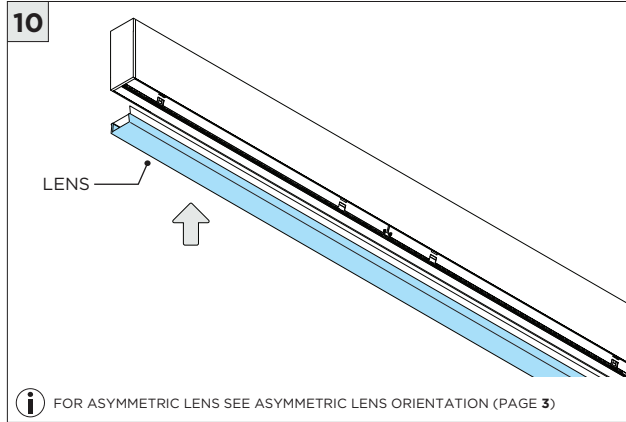
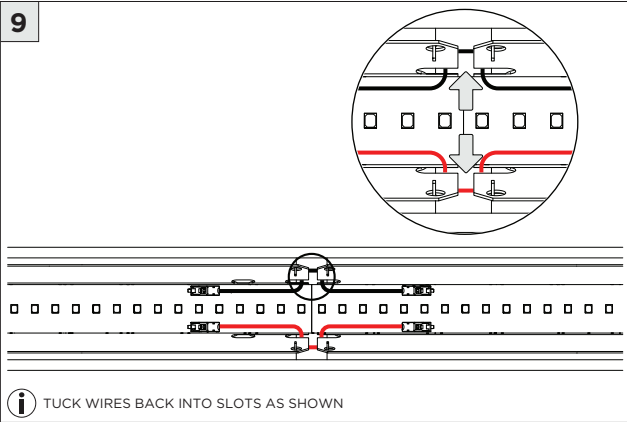
8



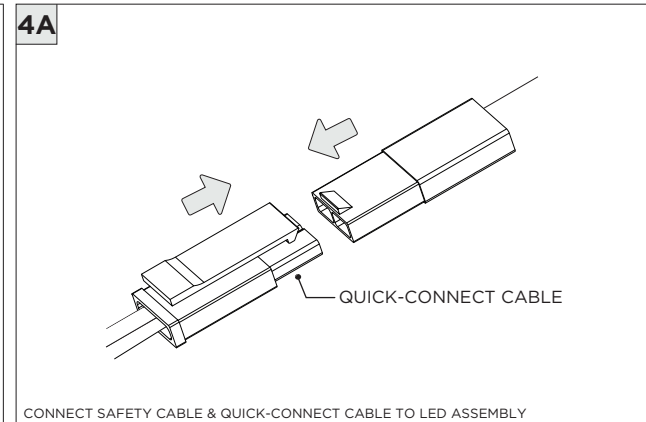
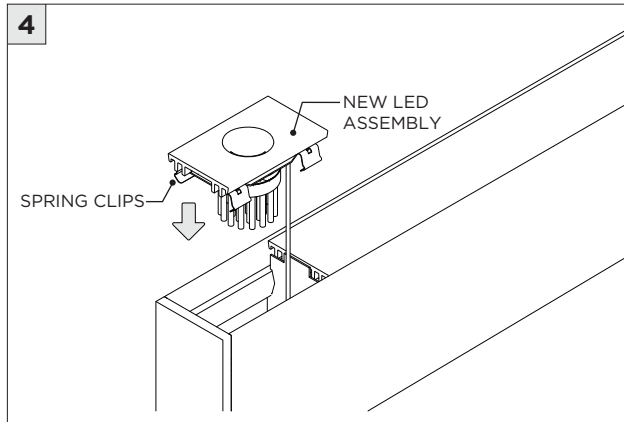
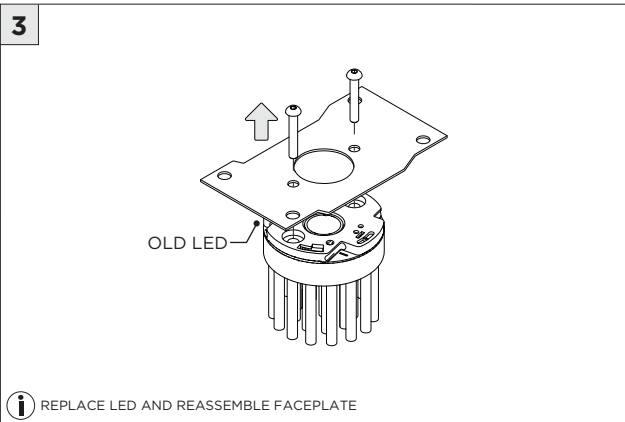
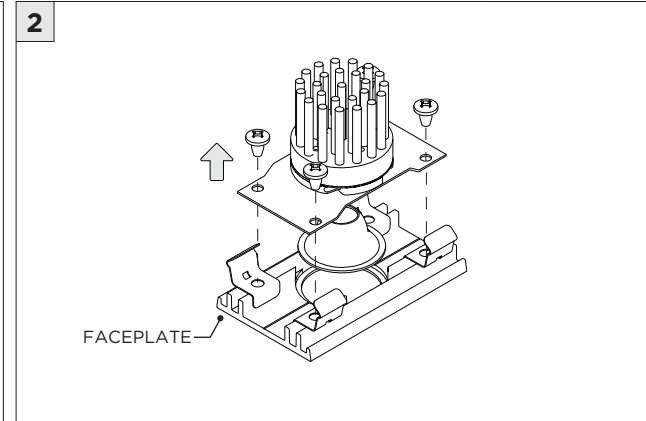
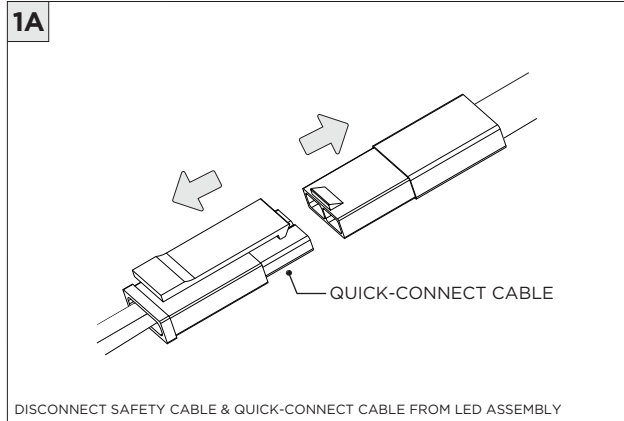
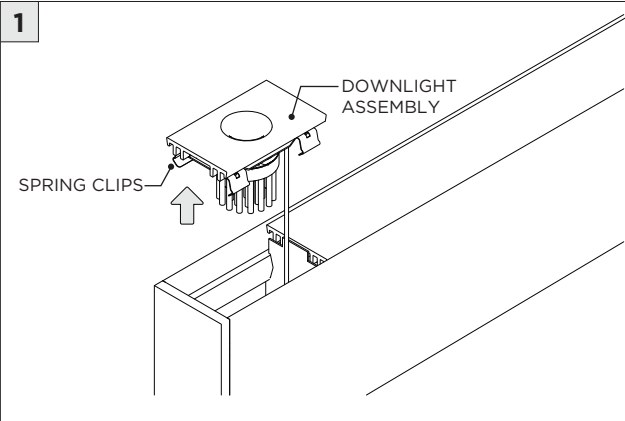
LINIA SERVICING



LED SERVICING



DOWNLIGHT SERVICING



ZOIE SERVICING

