

3.3"/4.5" ADJUSTABLE ZOEI CYLINDER PENDANT

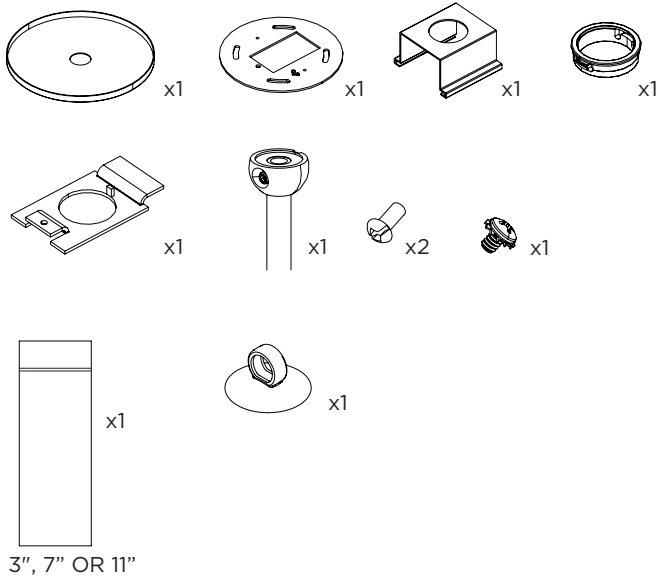
STEM PENDANT MOUNT



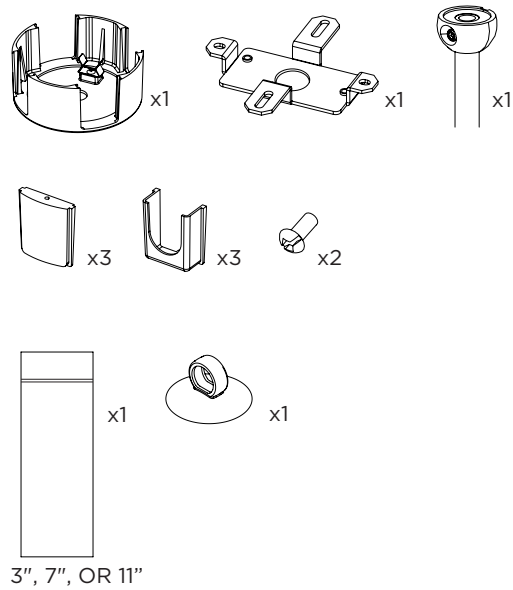
i THE IMAGES SHOWN ARE FOR ILLUSTRATION ONLY AND MAY NOT BE AN EXACT REPRESENTATION OF THE PRODUCT

COMPONENTS

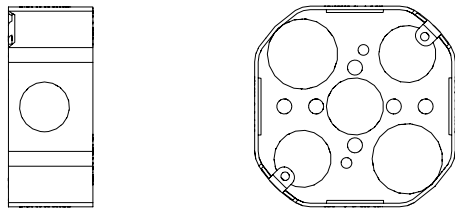
STANDARD CANOPY



CONDUIT FEED CANOPY

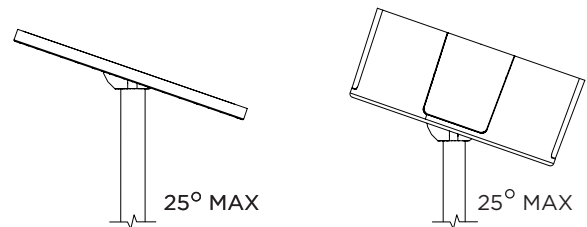


4" OCTAGONAL J-BOX REQUIRED FOR INSTALLATION



JUNCTION BOX (BY OTHERS)

SUITABLE FOR SLOPED CEILING

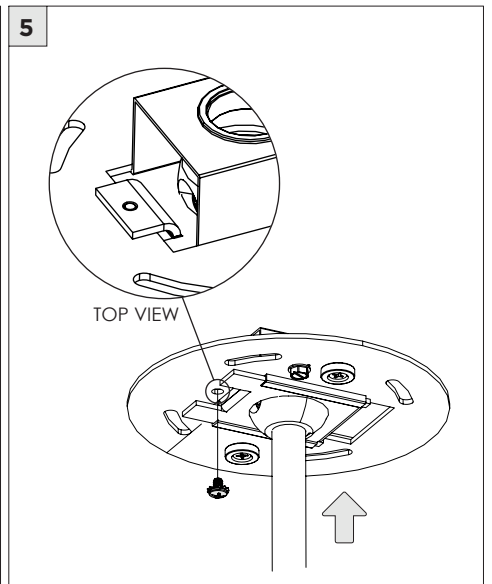
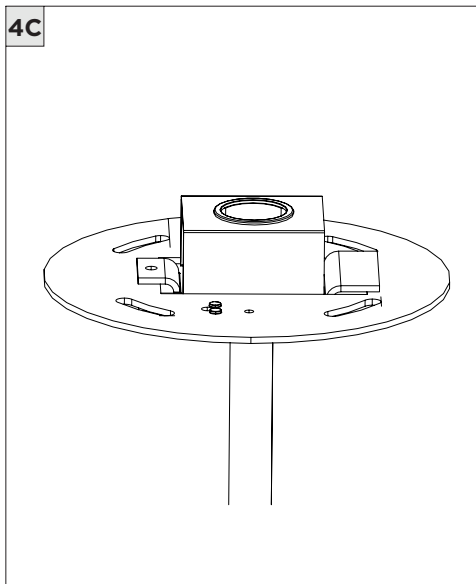
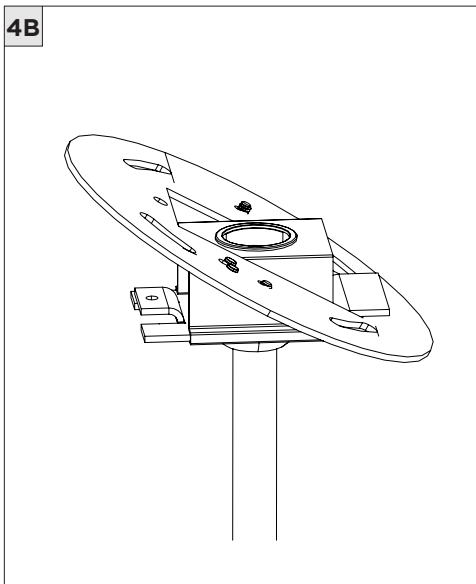
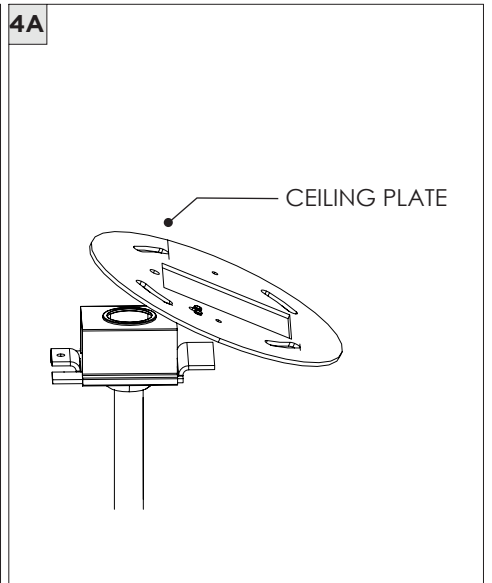
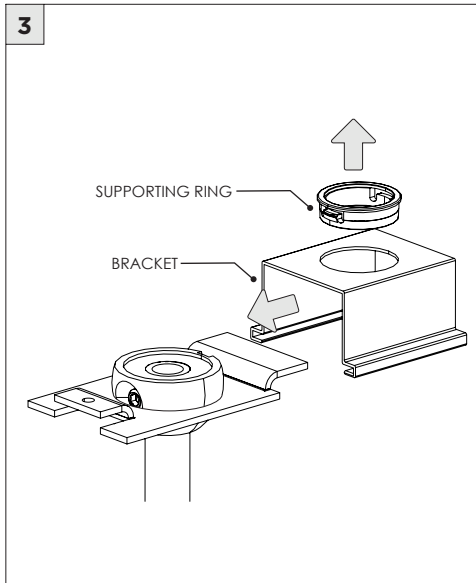
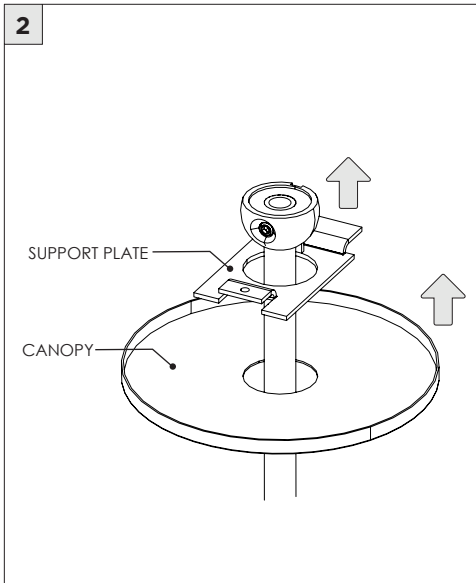
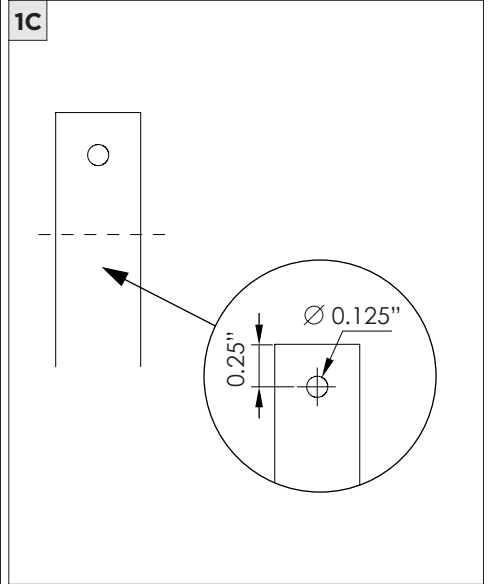
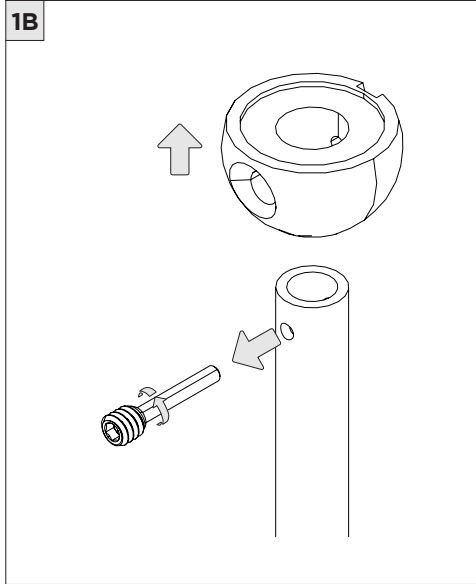
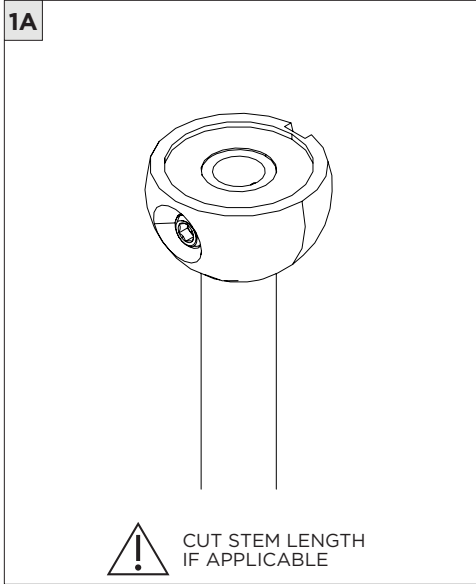


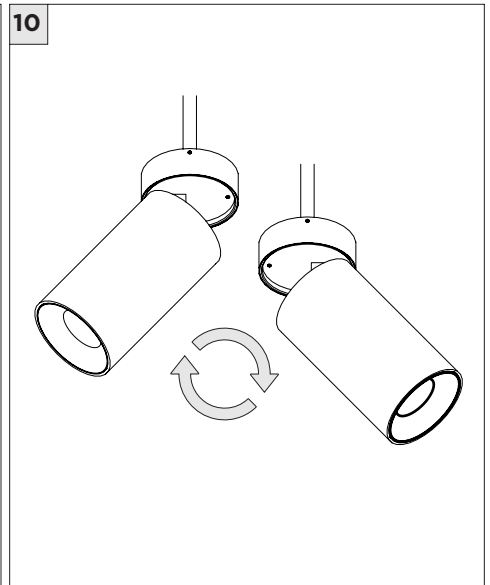
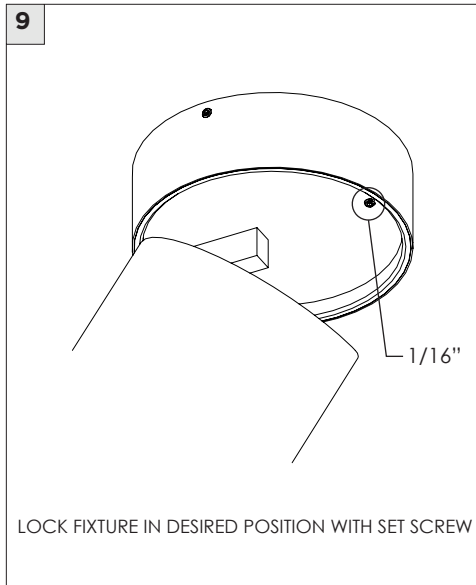
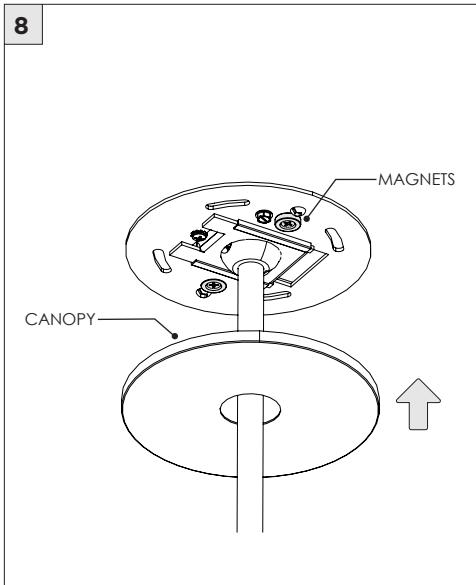
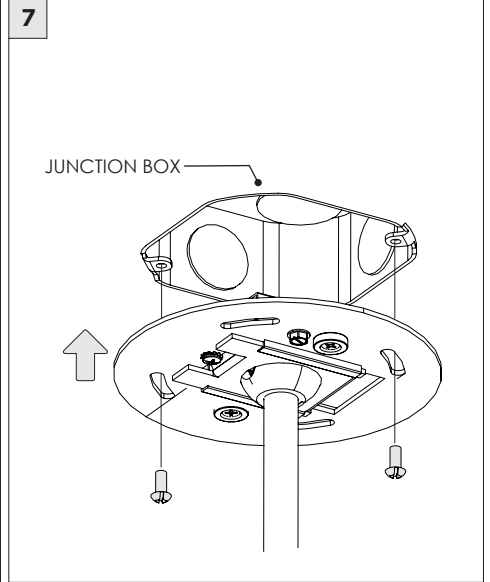
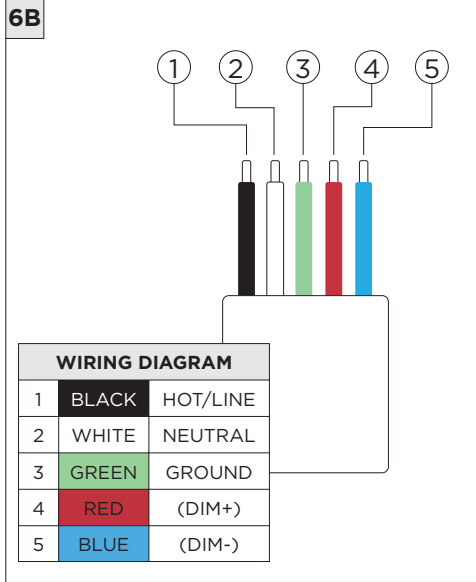
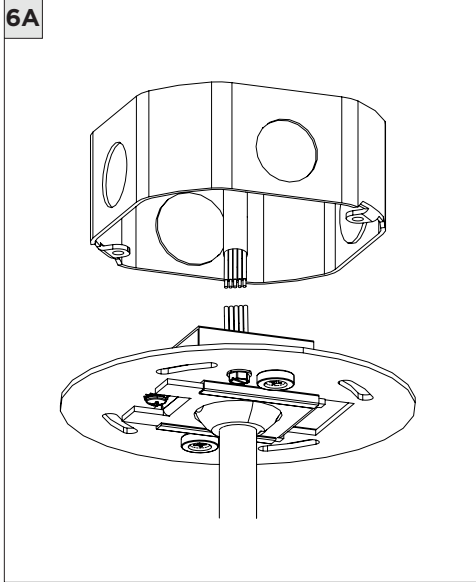
INSTRUCTION KEY

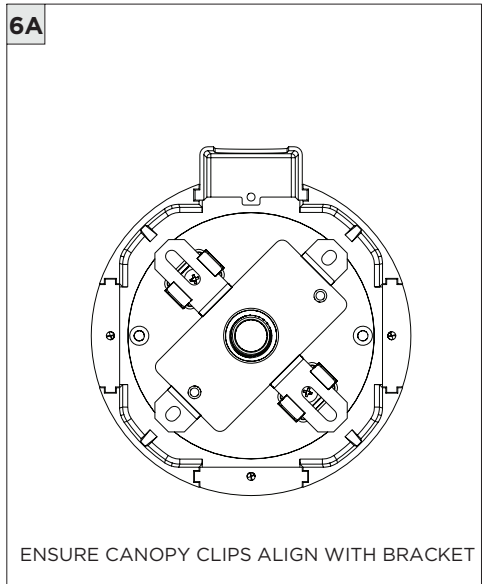
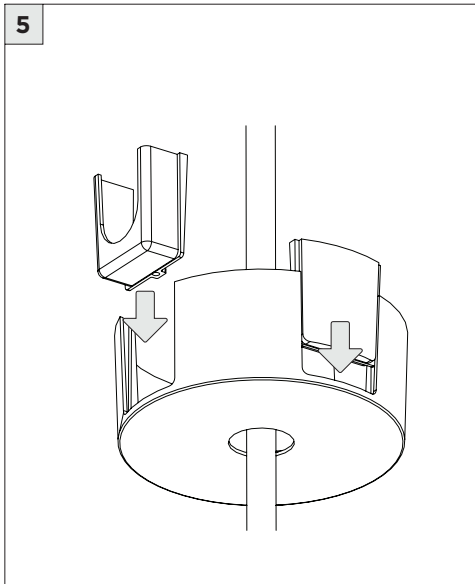
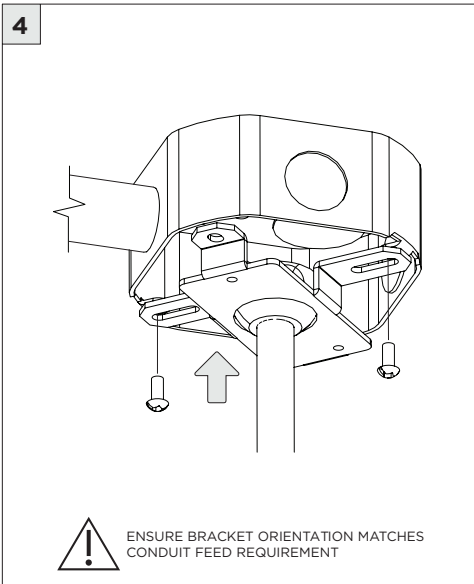
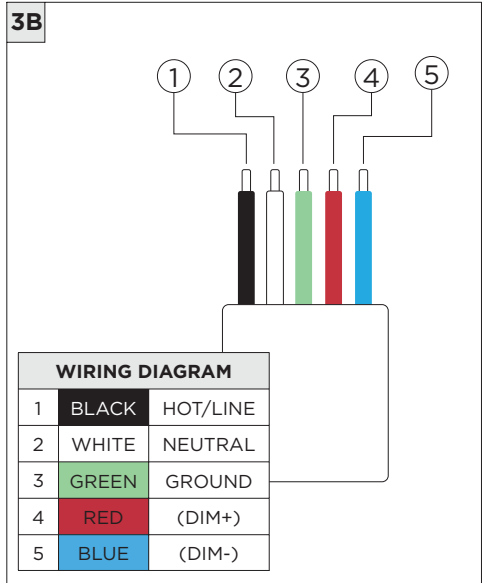
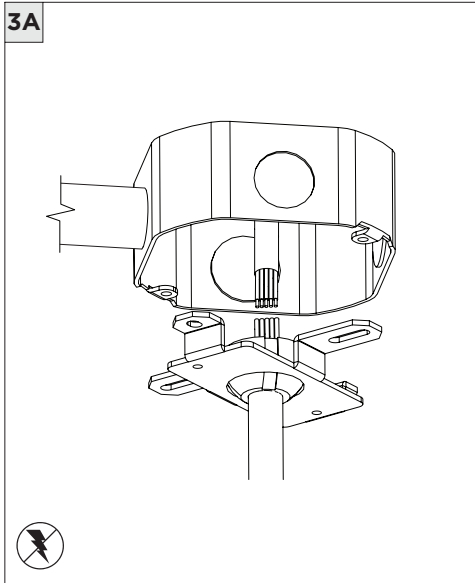
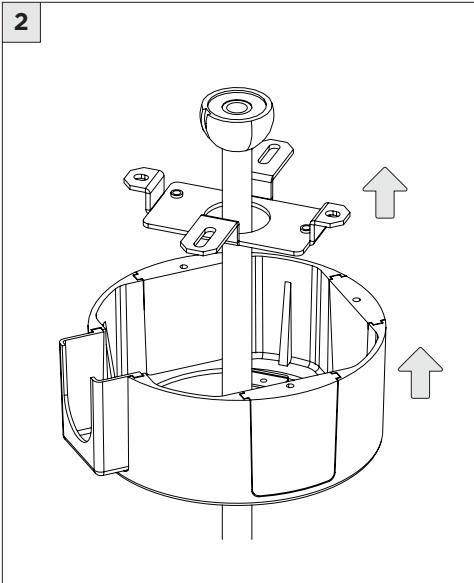
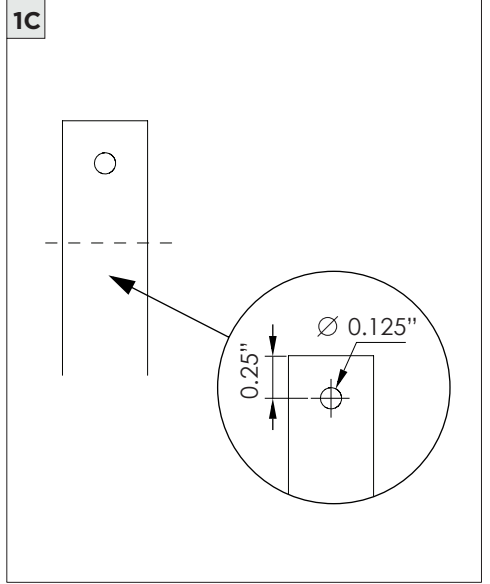
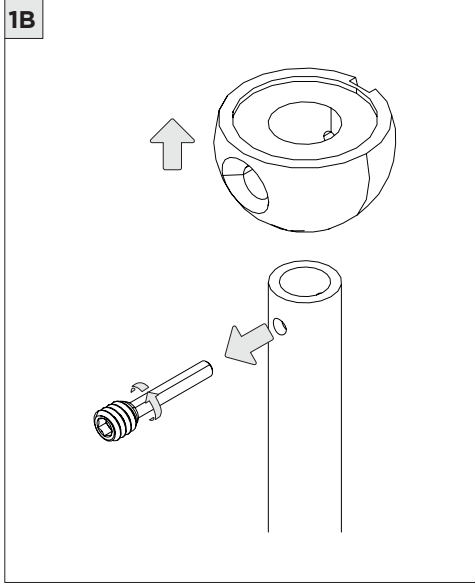
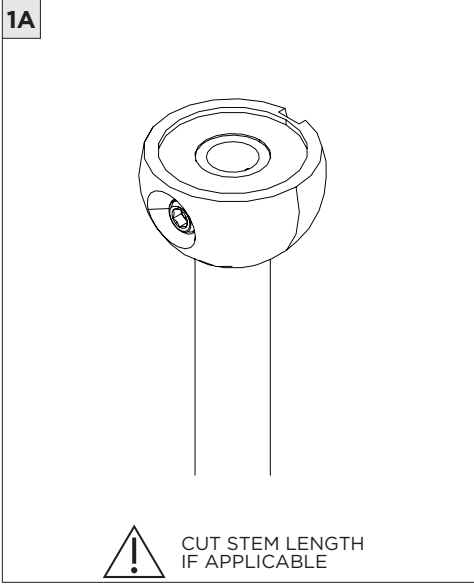
INFORMATION

- ADDITIONAL
- ATTENTION
- POWER ON
- POWER OFF

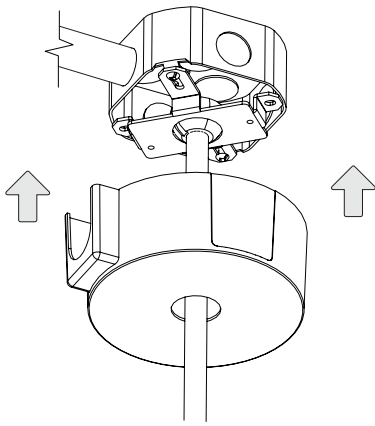
INSTALLATION SHOULD ONLY BE PERFORMED BY A CERTIFIED ELECTRICIAN
REFER TO LOCAL/NATIONAL CODES FOR PROPER INSTALLATION
FAILURE TO FOLLOW INSTALLATION INSTRUCTION MAY VOID THE WARRANTY
DO NOT TOUCH LEDS. LEDS MUST BE PROTECTED FROM MECHANICAL STRESS OR DEBRIS
TURN OFF POWER DURING INSTALLATION OR SERVICING



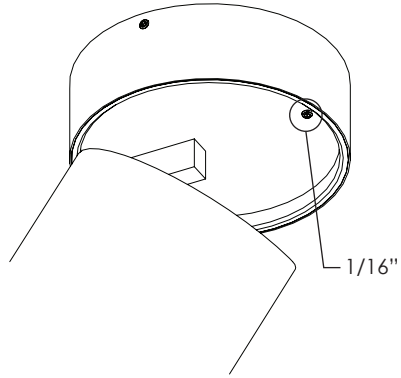




6B

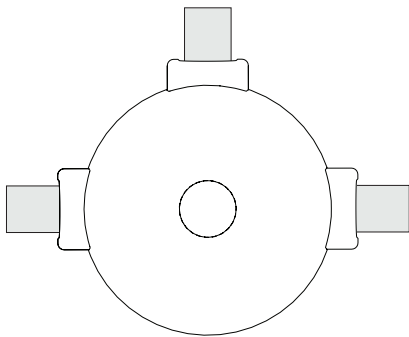
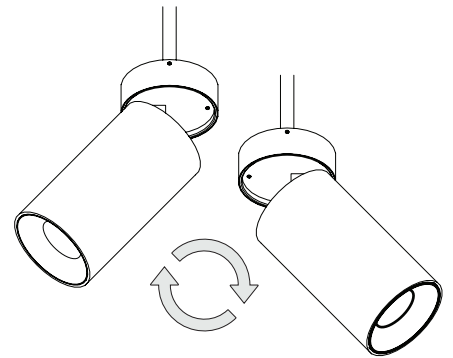


7



LOCK FIXTURE IN DESIRED POSITION WITH SET SCREW

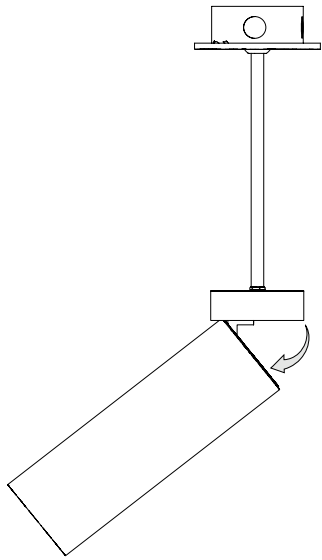
8



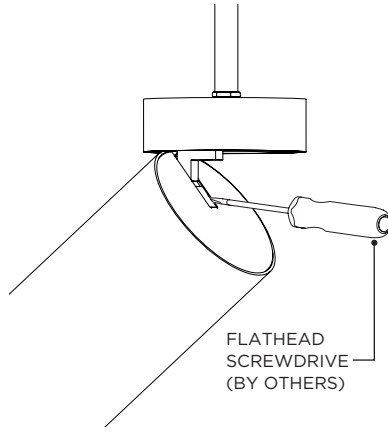
CANOPY IS SUITABLE FOR
MAXIMUM 3 CONDUIT FEEDS

DRIVER SERVICING

1

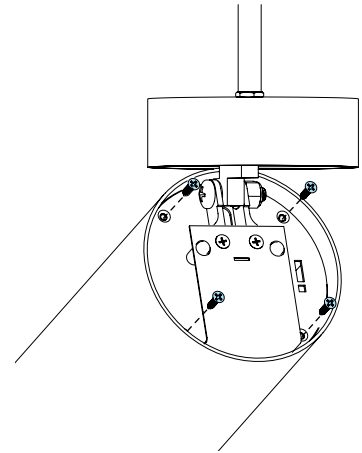


2



REMOVE MAGNETIC PLATE

3



4

