

# 3G LIGHTING

## 3G-PHA-Z45

HEXAGON ACOUSTIC PENDANT  
ZOEI DOWNLIGHT



Acoustic body fabricated in 1/2" thick acoustic felt  
Available in 24" and 36" with 20 color options  
4.5" diameter trimless Zoie downlight integration  
Delivered lumen range up to 3500lm (UGR <10)  
Companion to 3G-DZ45 cylinder and downlight family  
Optional felt dust cover provides added acoustic value

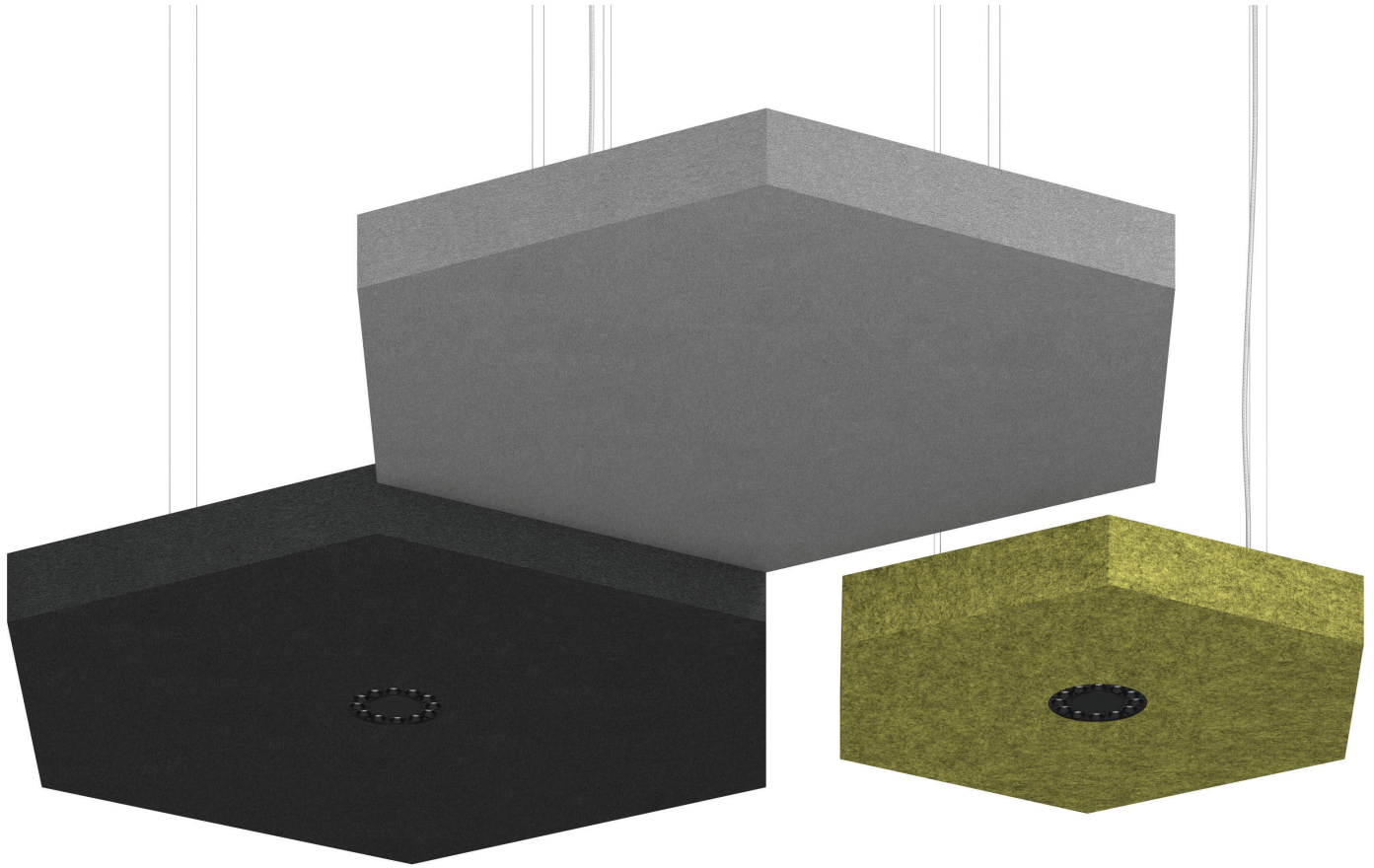
<b>PROJECT:</b>		<b>TYPE:</b>	
<b>CATALOG#:</b>		<b>DATE:</b>	<b>QTY:</b>

CAT. NO	FIXTURE SIZE	ACOUSTIC BODY	LOUVER FINISH	LUMEN OUTPUT	CRI
<b>3G-PHA-Z45</b>	<b>24 - 24"</b> <b>36 - 36"</b>	<b>BXX</b> - (SEE PAGE 2 FOR ALL COLORS)	<b>BLV</b> - BLACK <b>WLV</b> - WHITE	<b>10</b> - 1000 LUMENS <b>15</b> - 1500 LUMENS <b>20</b> - 2000 LUMENS <b>25</b> - 2500 LUMENS <b>30</b> - 3000 LUMENS <b>35</b> - 3500 LUMENS <sup>1</sup>	<b>S80</b> - 80+ CRI <b>H90</b> - 90+ CRI

COLOR TEMP	BEAM ANGLE	VOLTAGE	DRIVER	CABLE LENGTH
<b>27K</b> - 2700K <sup>2</sup> <b>30K</b> - 3000K <b>35K</b> - 3500K <b>40K</b> - 4000K <sup>2</sup>	<b>20D</b> - 20° <b>40D</b> - 40° <b>60D</b> - 60°	<b>UNV</b> - 120/277V <b>120</b> - 120V <b>347</b> - 347V <sup>3</sup>	<b>DIM</b> - 0-10V (100-1%) <b>LE</b> - PHASE DIM (TRIAC/ELV, 100-1%) <sup>4</sup> <b>D01</b> - 0-10V (100-0.1%) <b>DALI</b> - DALI (100-1%) <sup>5</sup> <b>DHL2</b> - LUTRON HI-LUME (1% ECOSYSTEM) <b>DMX</b> - DMX (100-0%)	<b>60"</b> - 60" <b>120"</b> - 120"

OPTIONS
<b>JNR</b> - JOINER KIT <b>ADC</b> - ACOUSTIC DUST COVER

- <sup>1</sup> 3500lm only available in 80CRI. 3500lm not available with D01, DALI and DMX driver options
- <sup>2</sup> 2700K only available in 90CRI and 4000K only available in 80CRI
- <sup>3</sup> 347 available in "DIM" 0-10V only (100-1%)
- <sup>4</sup> Phase dimming options available in 120V only
- <sup>5</sup> DALI-2 (Type 6) provided as standard. Please consult factory for DALI (Type 8) options



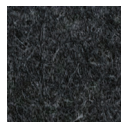
**ACOUSTIC BODY COLORS**



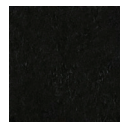
**BSG**  
Steel gray



**BRG**  
Rhino gray



**BCH**  
Charcoal



**BBK**  
Black



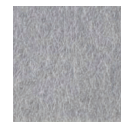
**BSW**  
Snow white



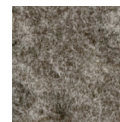
**BBE**  
Beige



**BLM**  
Light marble



**BAG**  
Ash gray



**BDM**  
Dark marble



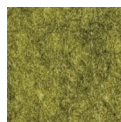
**BFG**  
Forest green



**BAP**  
Apple green



**BNG**  
Neon green



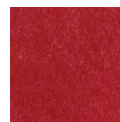
**BEG**  
Emerald green



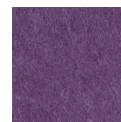
**BYE**  
Yellow



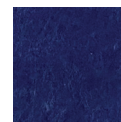
**BOR**  
Orange



**BRE**  
Red



**BGP**  
Grape prune



**BAB**  
Admiral blue



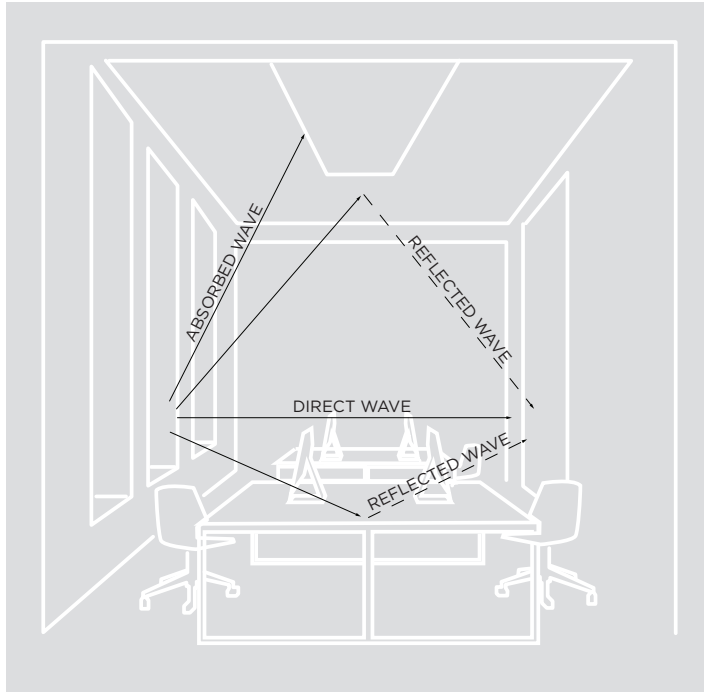
**BSB**  
Sky blue



**BTU**  
Turquoise

**SOUND WAVE IN A GIVEN SPACE**

When a sound wave is emitted from its source, it propels in all directions. The sound carries in a space unless it comes across an obstruction or an absorbing element such as carpeting, or upholstery. Harder materials will enable sound waves to reverberate in the space for a longer period of time. A sound can be direct like a face to face conversation and it can be reflected back from a hard surface.



**REVERBERATION**

The persistence of sound after it has been stopped due to multiple reflections from surfaces within a closed space



**T60 : REVERBERATION TIME**

The time it takes for a sound to decay by 60 dB once the source of sound has stopped. Reverberation time is the basic acoustical property of a room which depends only on its dimensions and the absorptive properties of its surfaces and contents. An acceptable value for class rooms and libraries ranges between 0.5-0.9 seconds. A suitable value for open offices and conference rooms ranges between 0.7 and 1.25 seconds



**NRC - NOISE ABSORPTION COEFFICIENT**

The Noise Reduction Coefficient is a scalar representation of the amount of sound energy absorbed upon striking a particular surface. an NRC of 0 indicates perfect reflection. an NRC of 1 indicates perfect absorption. Higher number equals better performance.



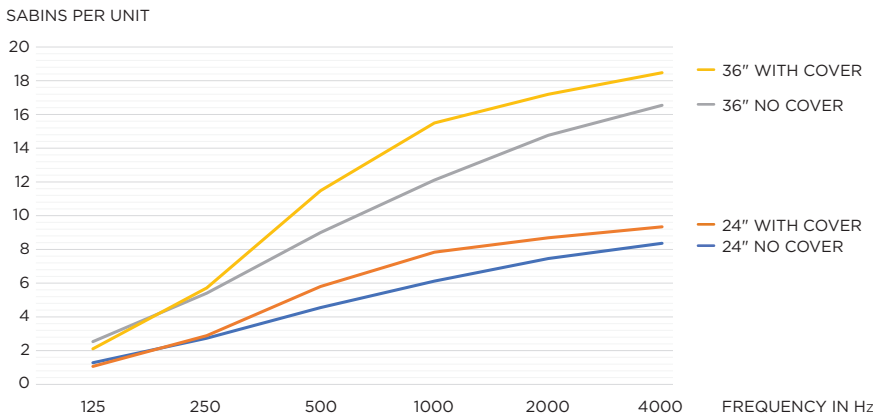
**SABIN**

A unit of sound absorption based on one square foot of material. Products with higher Sabin values provide more sound absorption.

**SABIN COUNT**

The sum total of the absorption coefficients in a room. Stronger NRC values will deliver higher Sabin counts.

**ACOUSTIC PERFORMANCE**



**OPTICS**

4.5" aperture with regressed LED source for maximum visual comfort  
 Proprietary multi-faceted reflectors with UGR <10  
 Beam angles available in 20°, 40°, and 60°  
 High gloss black or white louvers

**ACOUSTIC HOUSING**

Acoustic housing fabricated in 1/2" thick acoustic felt  
 Optional felt dust cover provides added acoustic value  
 Acoustic NRC value up to 0.9  
 Produced with recycled polyester fiber and +/- 60% from recycled water bottles  
 Material is 100% recyclable  
 0% VOC's  
 Fire rating ASTM E-84 Class A / CAN ULC S102

**MOUNTING**

Adjustable aircraft cable suspension with locking fasteners  
 Standard, 18-gauge, 5 conductor single circuit power feed (clear braided finish)  
 All mounting canopies provided in white finish as standard  
 Suitable for various architectural ceilings (see mounting details)  
 Fixture weight: including cover: +/- 8.5 lbs (24"), +/- 12.5 lbs (36")

**LED SYSTEM**

Standard 80+ and 90+ CRI  
 Color consistency <2 SDCM  
 Available in 27K, 30K, 35K, and 40K  
 L90 > 60,000 hours

**ELECTRICAL**

Standard 0-10V, constant current drivers with 100-1% dimming range and >0.9 power factor  
 Standard 120/277V universal voltage with several driver options  
 Integral drivers are easily accessible above or through luminaire aperture

**LISTING**

ETL listed and conforms to UL1598 standard  
 Certified to CSA22.2 NO.250.0.  
 Suitable for dry locations

**WARRANTY**

5 year limited warranty  
 LED system rated for operation in ambient environments up to 25°C

**DOWNLIGHT PERFORMANCE**

LUMEN OUTPUT	DELIVERED LUMENS	SYSTEM WATTS	EFFICACY (LPW)
1000	1000	8.0	125
1500	1500	12.4	121
2000	2000	16.8	119
2500	2500	21.5	116
3000	3000	28.2	107
3500	3500	35.3	99

BASED 80+ CRI, 30K, 40D OPTIC  
 Lumen output and actual wattage may vary +/- 5%

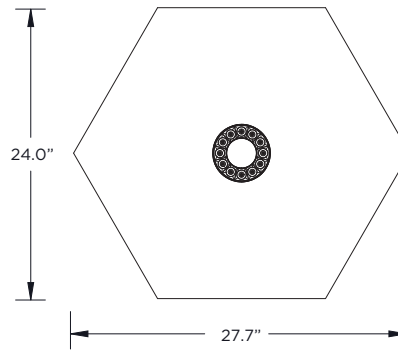
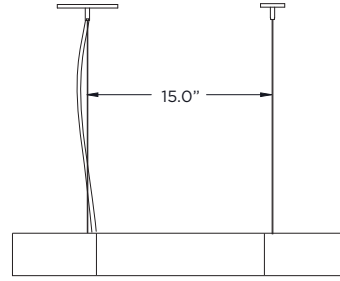
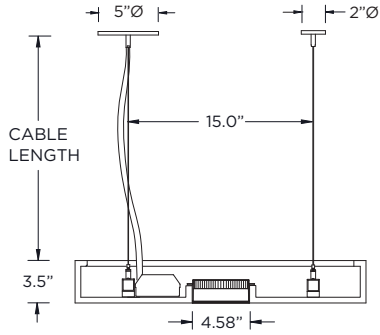
**MULTIPLIERS**

BEAM ANGLE	
20D	0.98
40D	1.00
60D	1.02

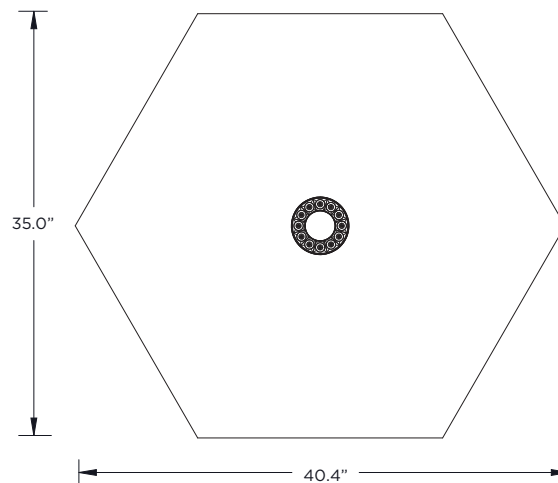
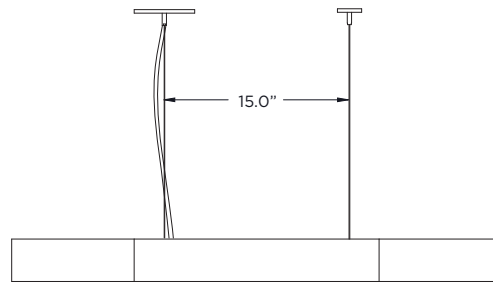
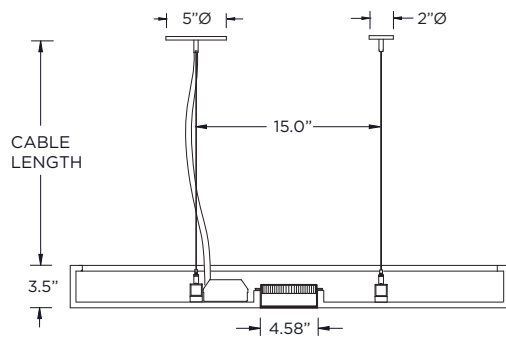
80+ CRI COLOR TEMP	
2700K	N/A
3000K	1.00
3500K	0.94
4000K	1.11

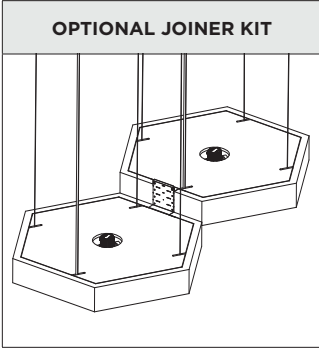
90+ CRI COLOR TEMP	
2700K	0.83
3000K	0.83
3500K	0.88
4000K	N/A

**24" PENDANT**

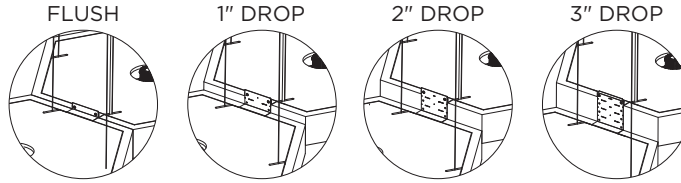


**36" PENDANT**

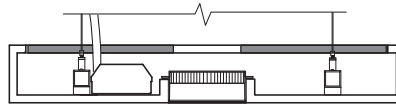
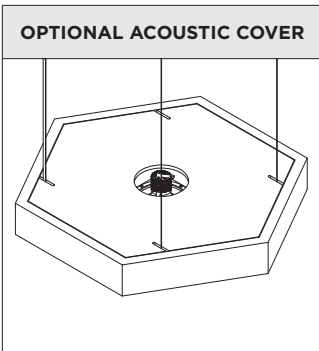




**ADJUSTABLE TO 4 HEIGHT OPTIONS**



Optional Joiner kit can be installed to align multiple pendants  
 Brackets attach to the top of each fixture with 4 different mounting positions  
 Kits ordered separately and installed by others



Optional acoustic dust cover  
 Made from 1/2" thick acoustic felt  
 Provides enhanced acoustic value

**MOUNTING DETAILS**

