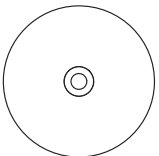
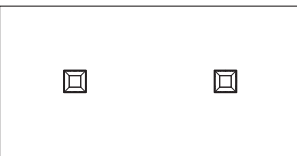
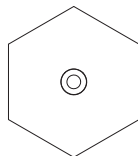
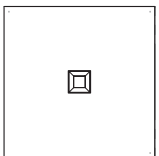
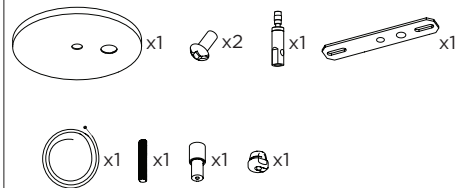
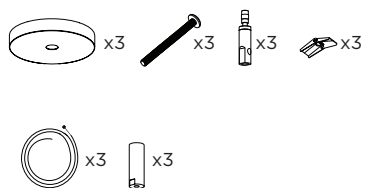
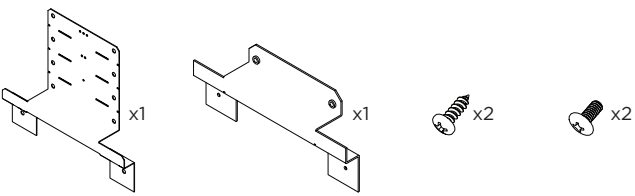








3G-PRA, 3G-PQA, 3G-PHA, and 3G-PSA
 ROUND, RECTANGLE, HEXAGON, SQUARE ACOUSTIC PENDANT
 3.3"/4.5" FIXED DOWNLIGHT



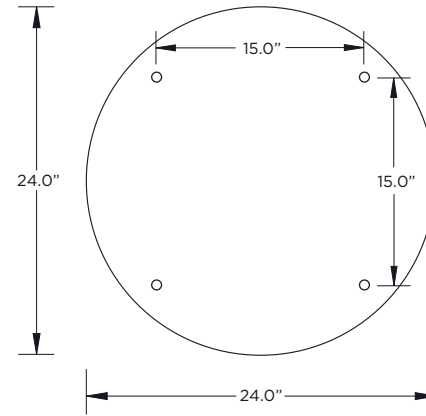
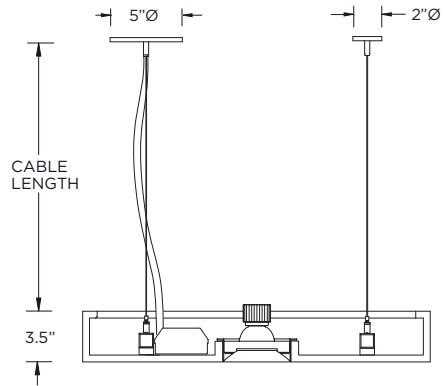
i THE IMAGES SHOWN ARE FOR ILLUSTRATION PURPOSES ONLY AND MAY NOT BE AN EXACT REPRESENTATION OF THE PRODUCT

SHAPES				INCLUDED COMPONENTS	
<p>ROUND</p> 	<p>RECTANGLE</p> 	<p>HEXAGON</p> 	<p>SQUARE</p> 	<p>POWER FEED KIT</p> 	<p>NON-POWER FEED KIT</p> 
<p>FIXTURE JOINING KIT (OPTIONAL)</p> 				<p>HANDLING: THE EDGES OF THE HOUSINGS ARE FRAGILE AND EASY TO DAMAGE ACOUSTIC HOUSING MUST BE HANDLED CAREFULLY</p> <p>CLEANING: DUST CAN BE REMOVED WITH A HAND DUSTER OR VACCUM (WITH BRUSH ACCESSORY) STAINS CAN BE REMOVED WITH A CLEAN WHITE ERASER OR WET WIPE</p>	

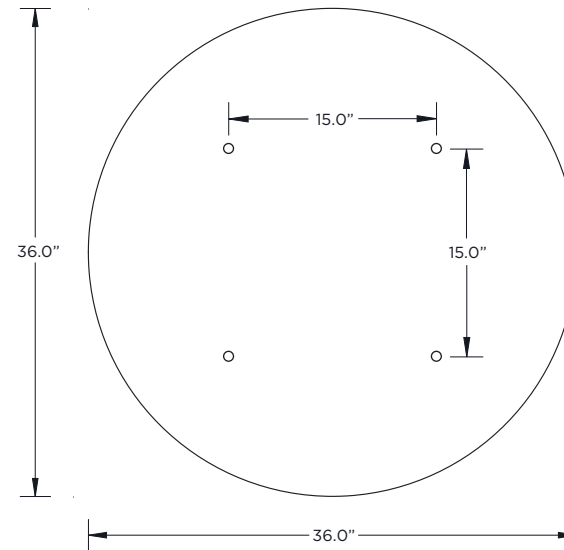
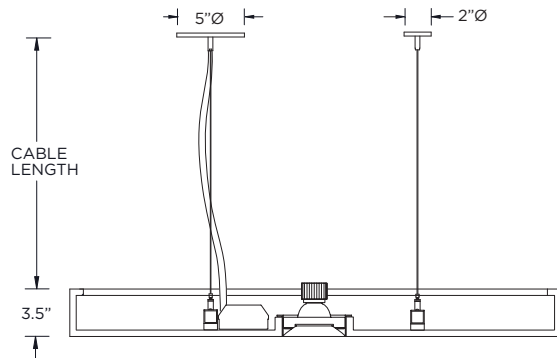
INSTRUCTION KEY	INFORMATION
 ADDITIONAL	INSTALLATION SHOULD ONLY BE PERFORMED BY A CERTIFIED ELECTRICIAN
 ATTENTION	REFER TO LOCAL/NATIONAL CODES FOR PROPER INSTALLATION
 POWER ON	FAILURE TO FOLLOW INSTALLATION INSTRUCTION MAY VOID THE WARRANTY
 POWER OFF	DO NOT TOUCH LEDS. LEDS MUST BE PROTECTED FROM MECHANICAL STRESS OR DEBRIS
	TURN OFF POWER DURING INSTALLATION OR SERVICING

SUSPENSION MOUNTING

24" ROUND

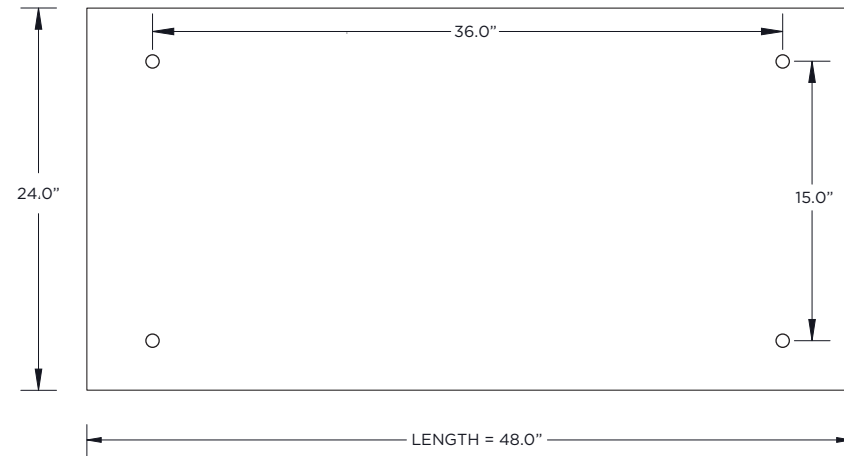
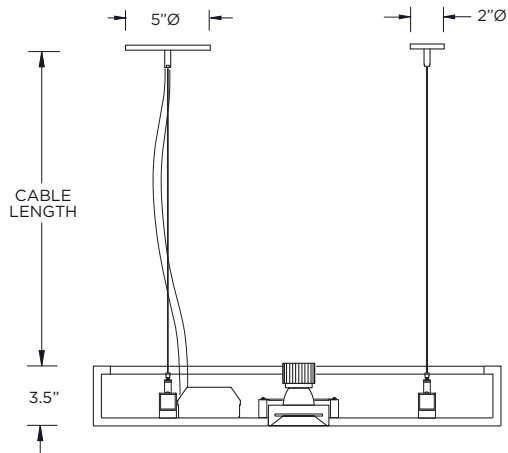


36" ROUND

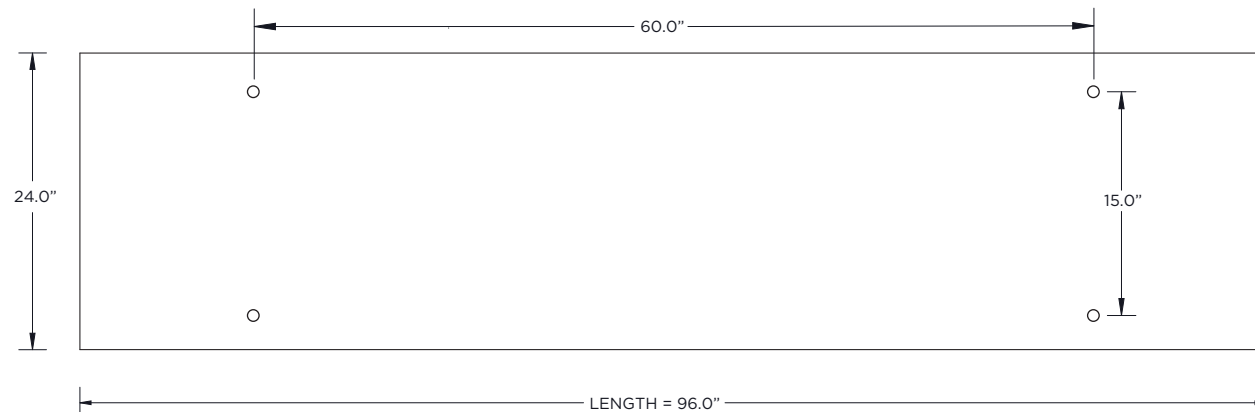
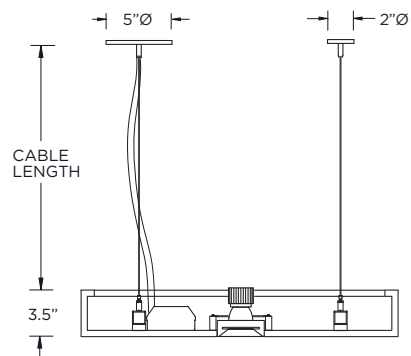


SUSPENSION MOUNTING

24" x 48" RECTANGLE

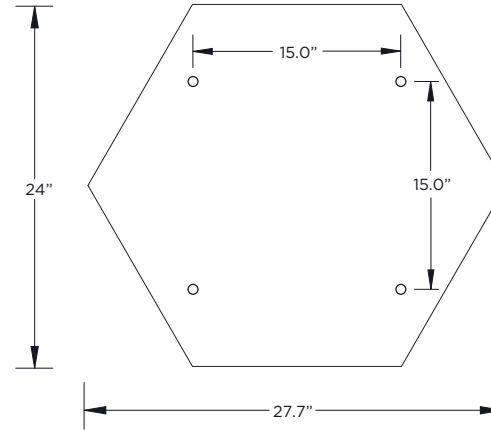
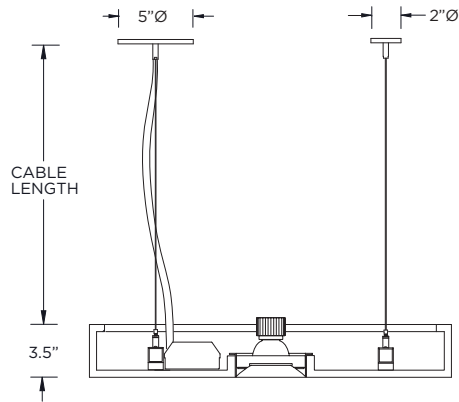


24" x 96" RECTANGLE

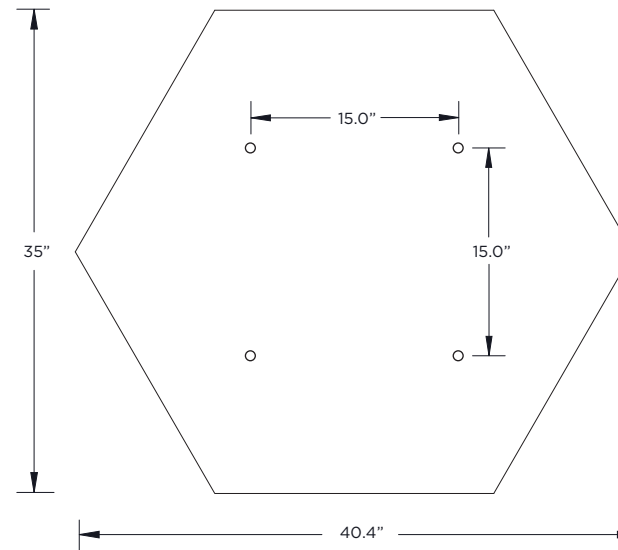
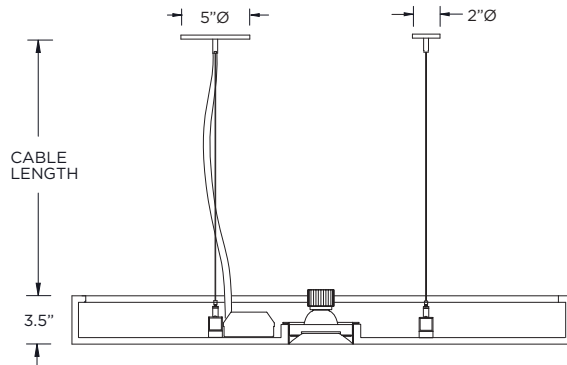


SUSPENSION MOUNTING

24" HEXAGON

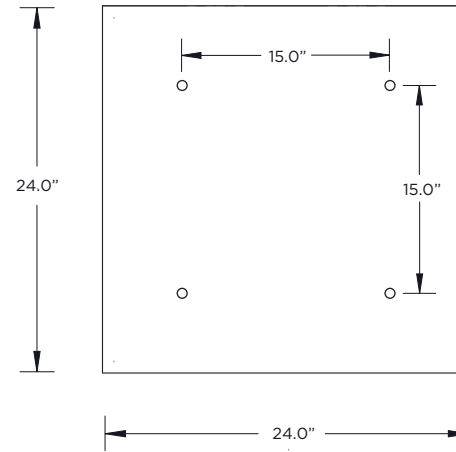
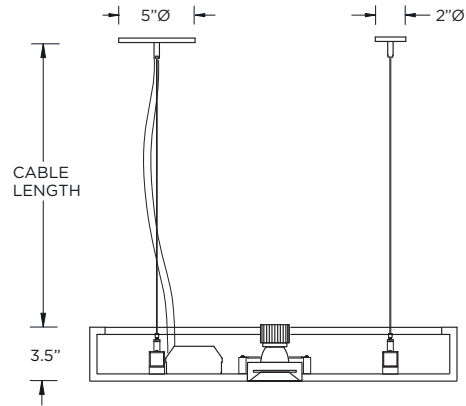


36" HEXAGON

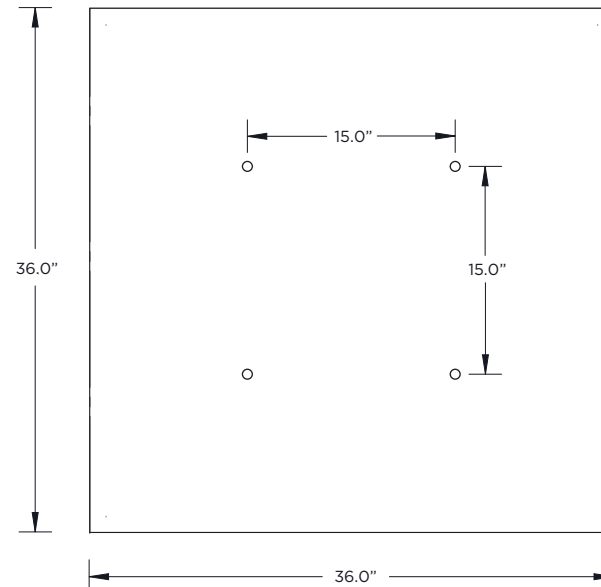
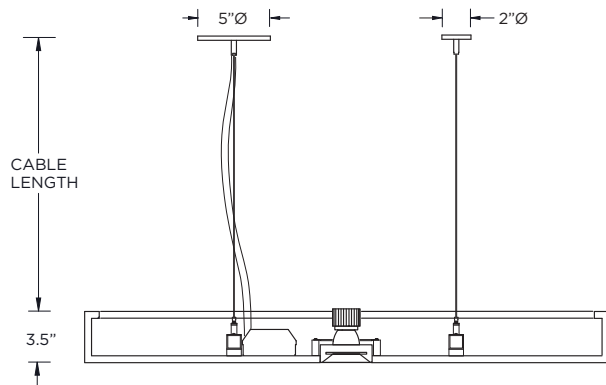


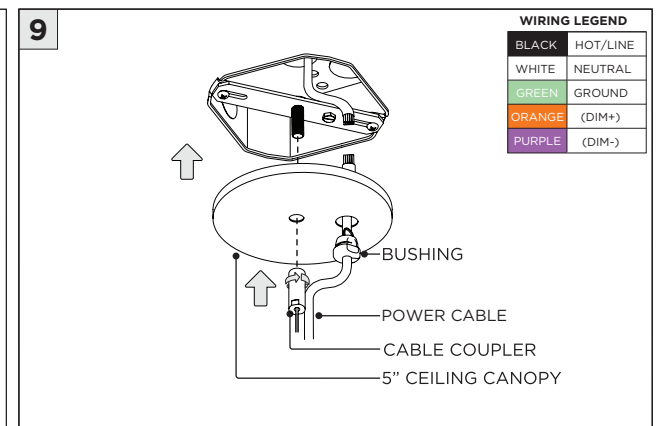
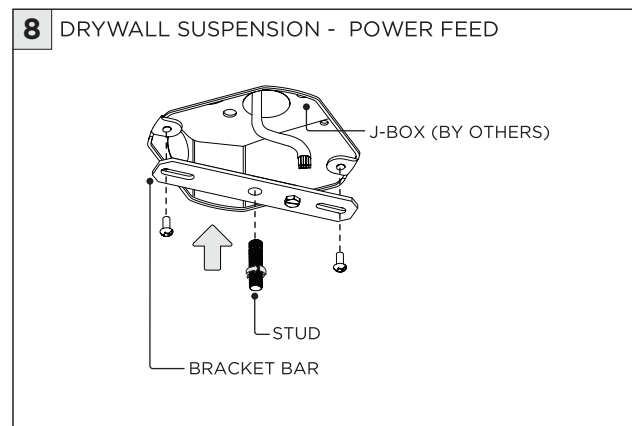
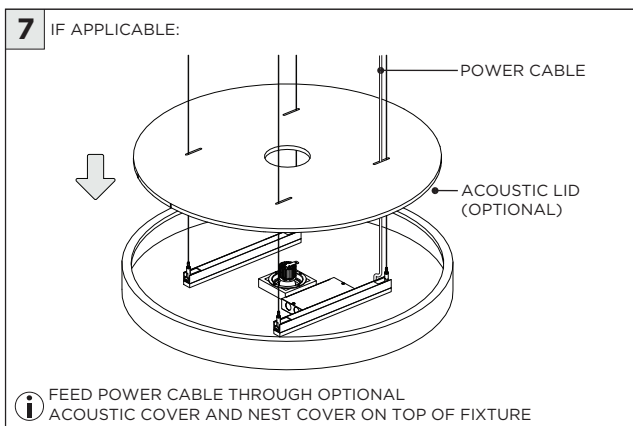
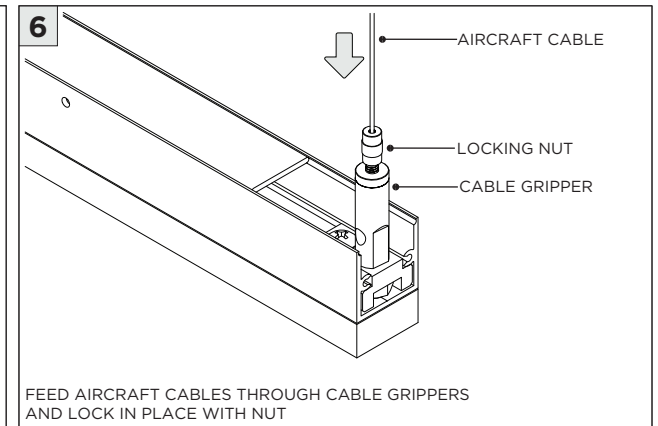
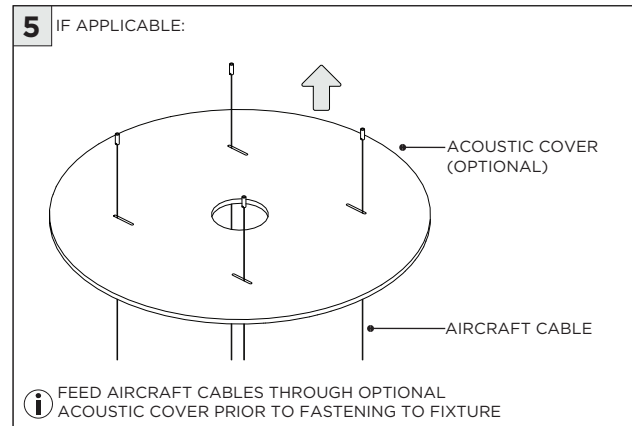
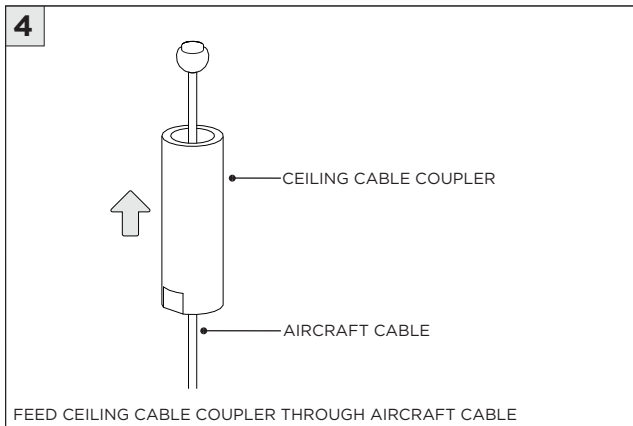
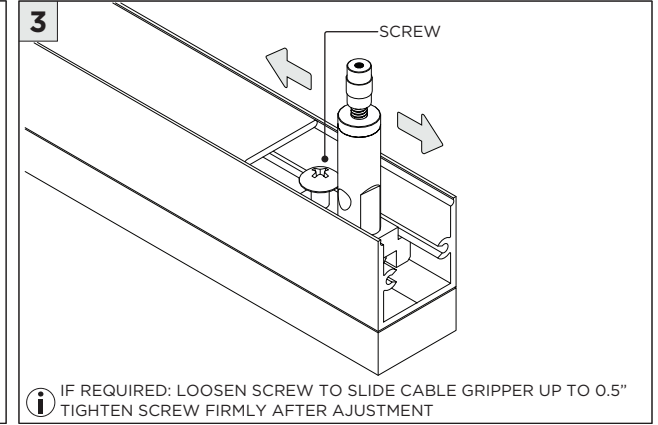
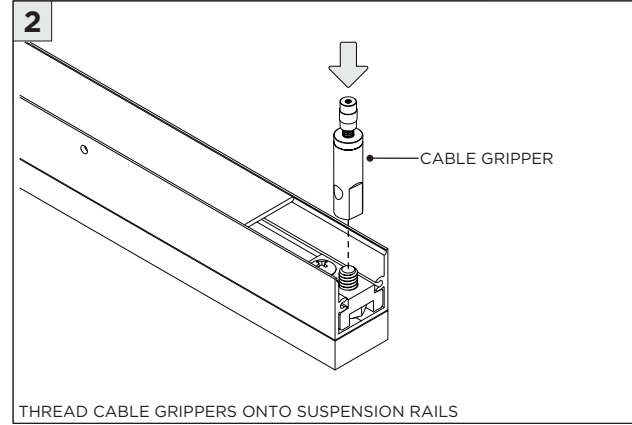
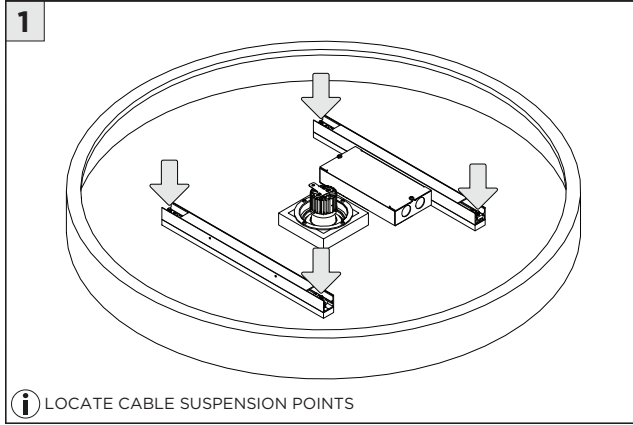
SUSPENSION MOUNTING

24" SQUARE

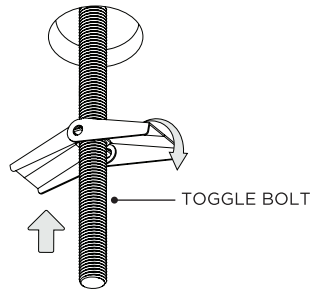


36" SQUARE

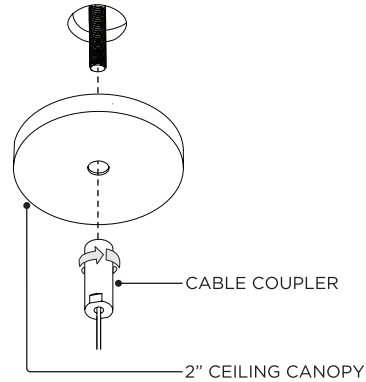




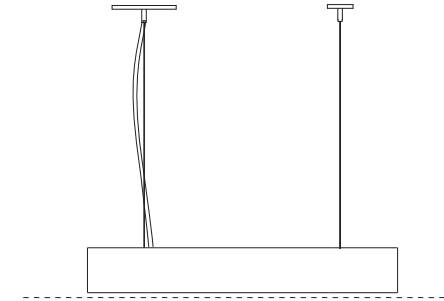
10 DRYWALL SUSPENSION - NON-POWER FEED



11



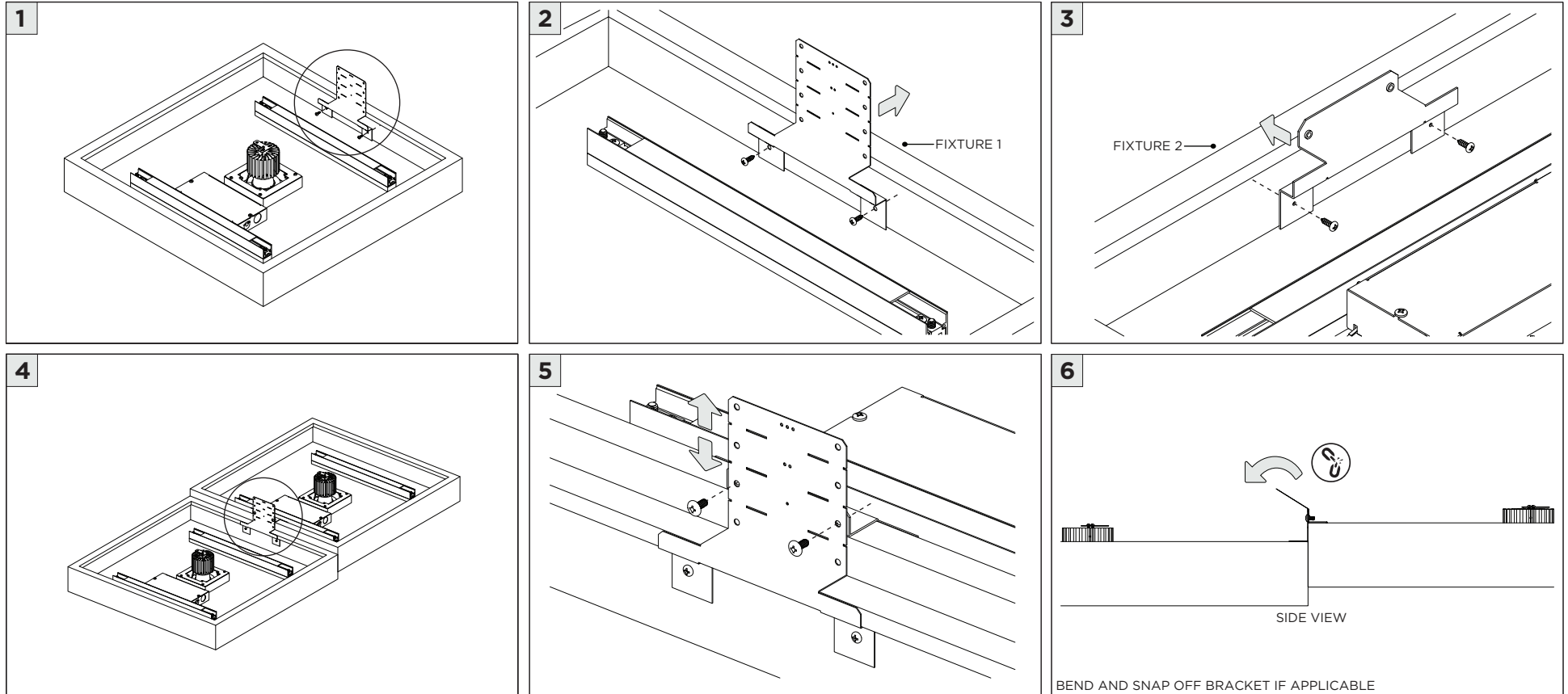
12



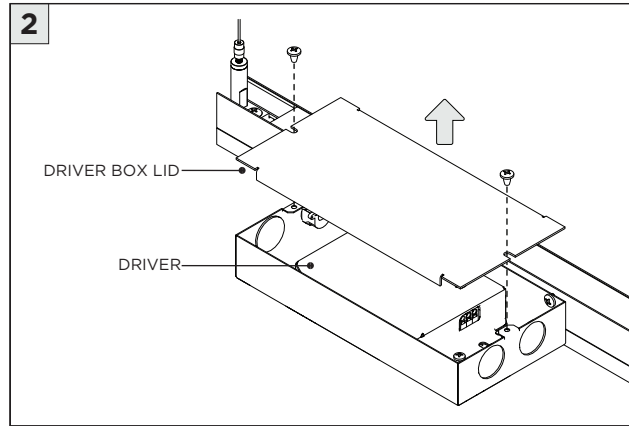
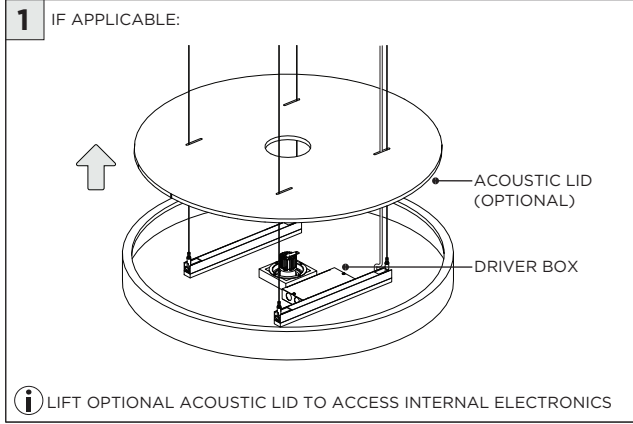
ENSURE FIXTURE IS LEVEL
ADJUST AIRCRAFT CABLE LENGTHS IF NECESSARY

FOR **FIXTURE JOINING** - SEE PAGE 8

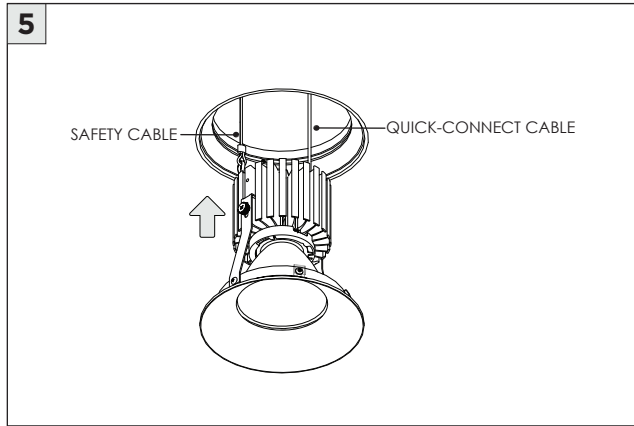
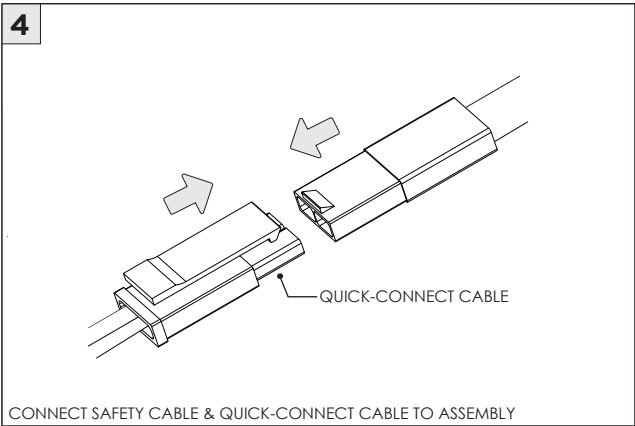
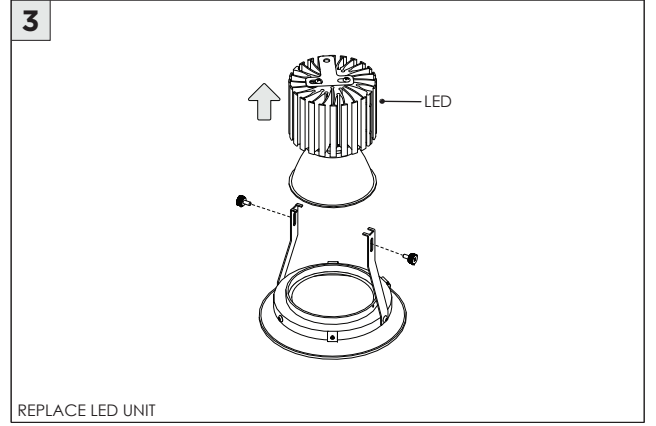
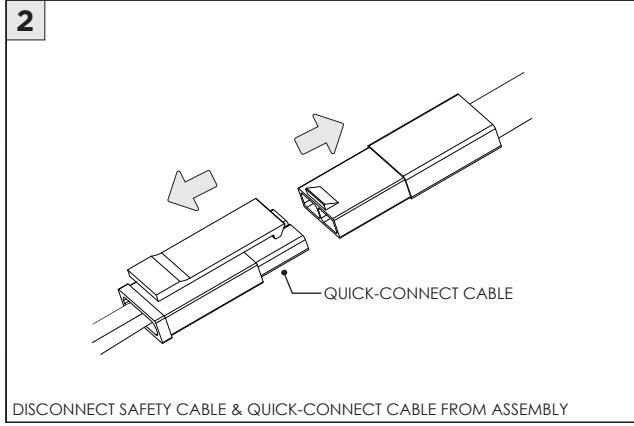
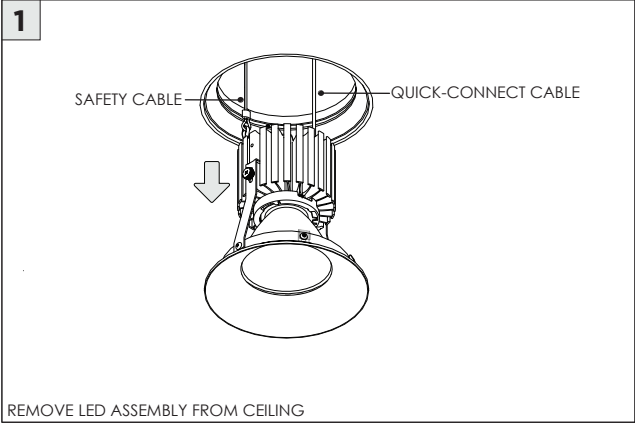
FIXTURE JOINING KIT INSTALLATION - NOT APPLICABLE FOR ROUND ACOUSTIC FIXTURES



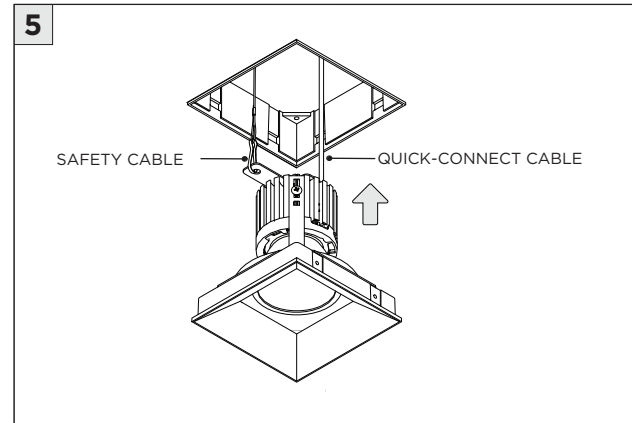
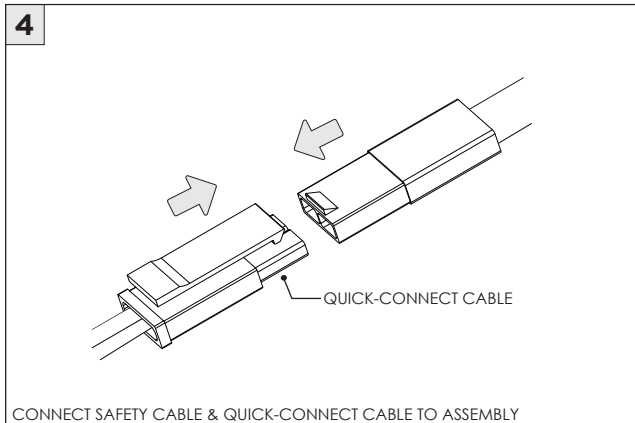
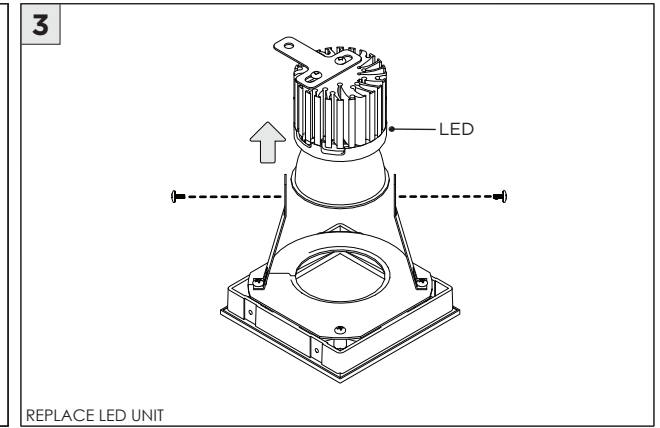
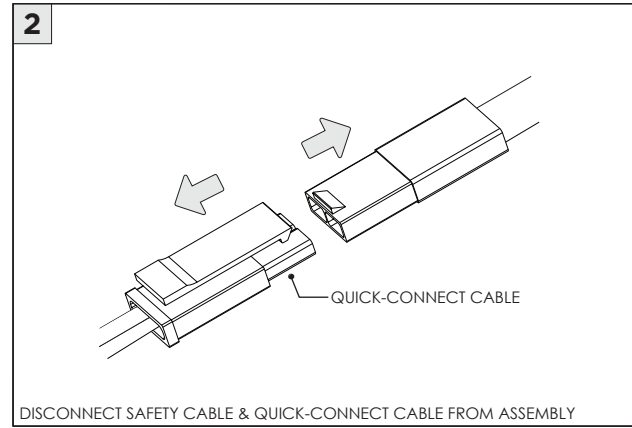
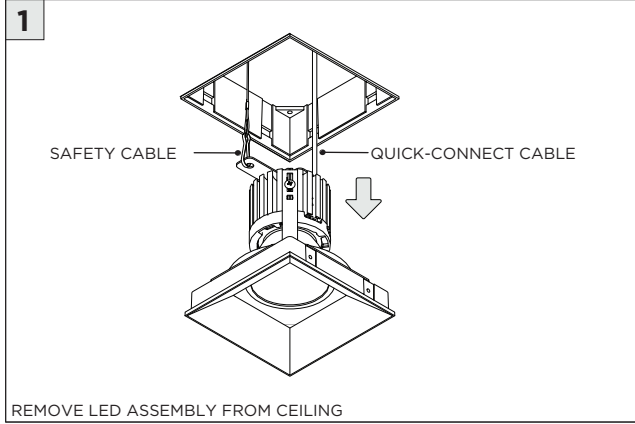
DRIVER SERVICING



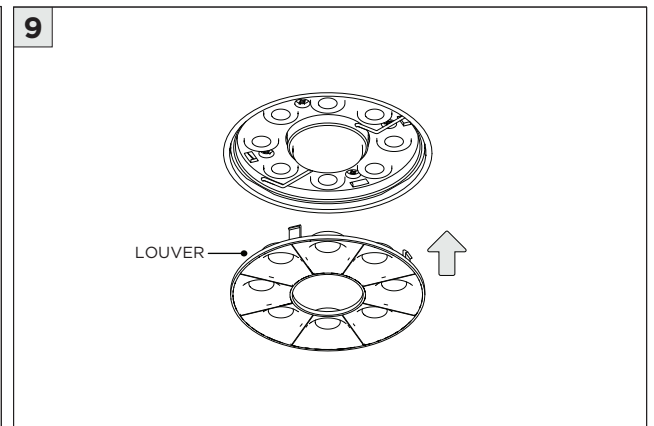
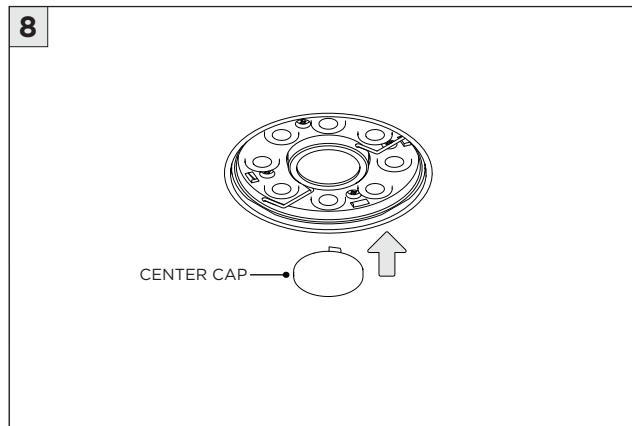
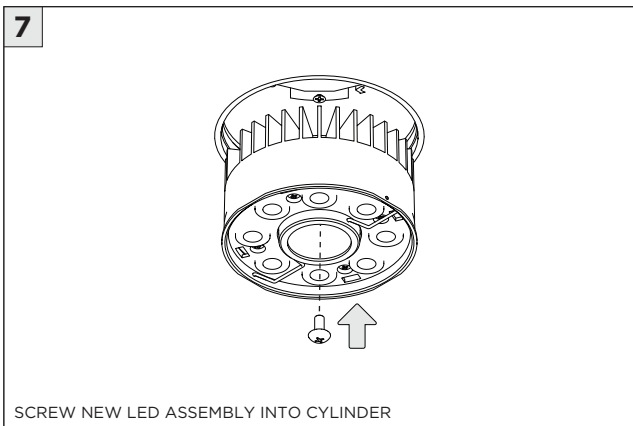
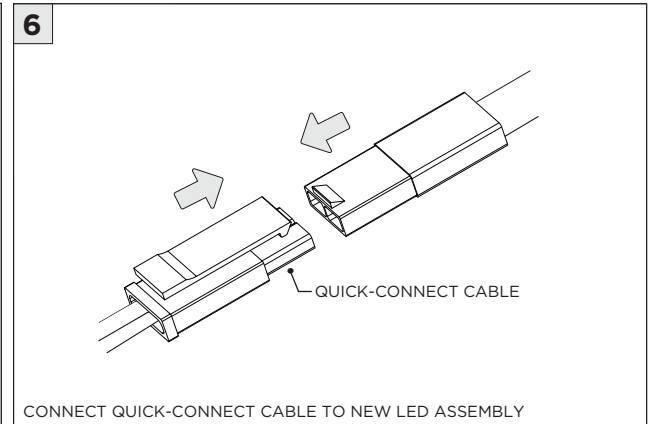
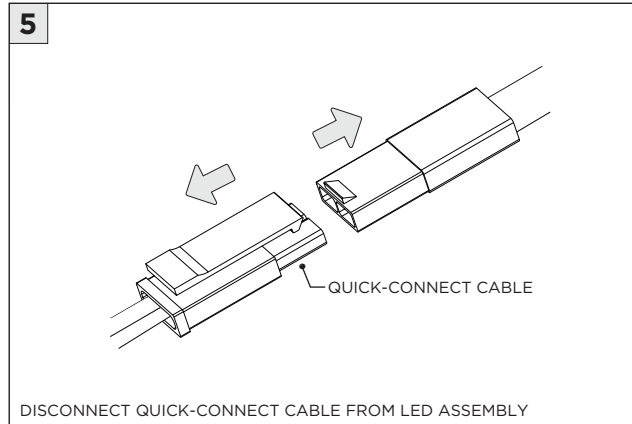
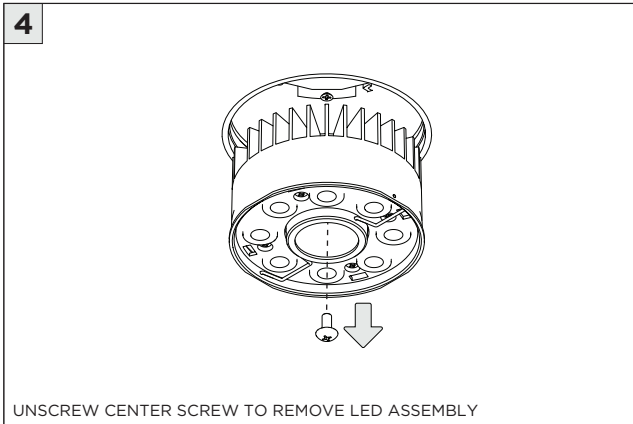
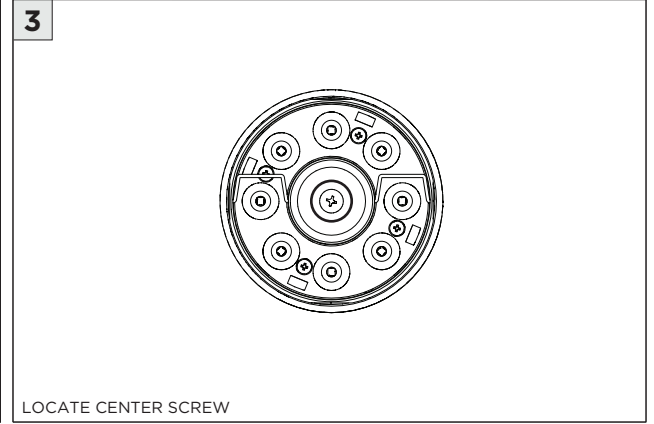
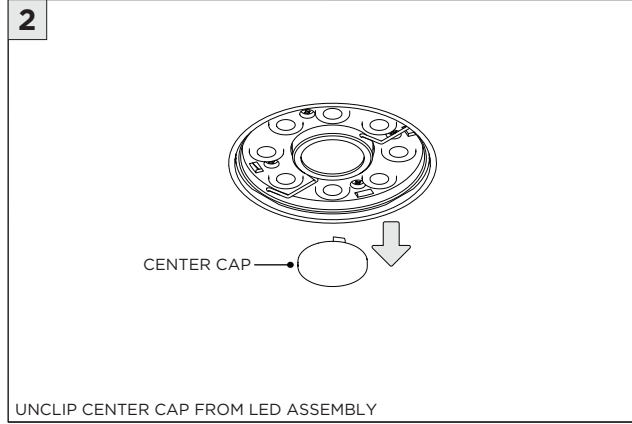
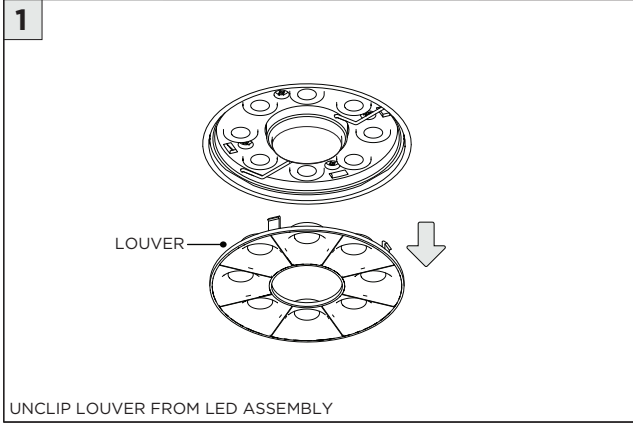
LED SERVICING - D45



LED SERVICING - D33S



LED SERVICING - Z45



LED SERVICING - Z33S

