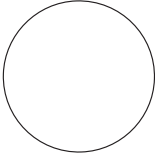

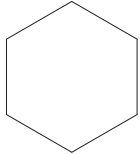
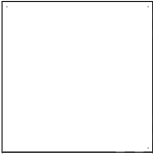
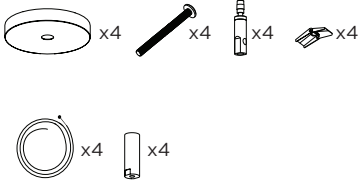
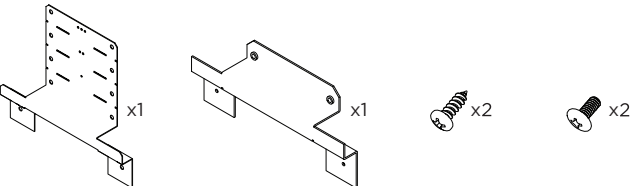








3G-PRA, 3G-PQA, 3G-PHA, and 3G-PSA
 ROUND, RECTANGLE, HEXAGON, SQUARE ACOUSTIC PENDANT
 ACOUSTIC BODY



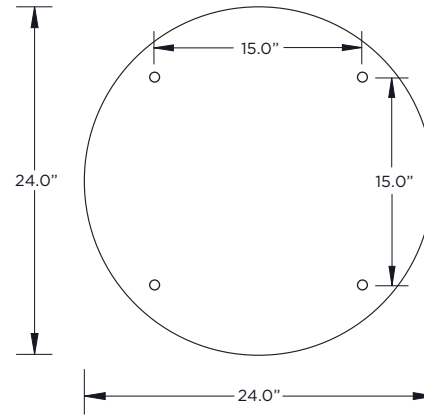
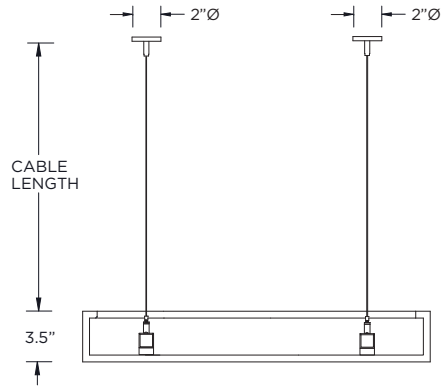
i THE IMAGES SHOWN ARE FOR ILLUSTRATION PURPOSES ONLY AND MAY NOT BE AN EXACT REPRESENTATION OF THE PRODUCT

SHAPES				INCLUDED COMPONENTS	
<p>ROUND</p> 	<p>RECTANGLE</p> 	<p>HEXAGON</p> 	<p>SQUARE</p> 	<p>NON-POWER FEED KIT</p> 	
<p>FIXTURE JOINING KIT (OPTIONAL)</p> 				<p>HANDLING: THE EDGES OF THE HOUSINGS ARE FRAGILE AND EASY TO DAMAGE ACOUSTIC HOUSING MUST BE HANDLED CAREFULLY</p> <p>CLEANING: DUST CAN BE REMOVED WITH A HAND DUSTER OR VACCUM (WITH BRUSH ACCESSORY) STAINS CAN BE REMOVED WITH A CLEAN WHITE ERASER OR WET WIPE</p>	

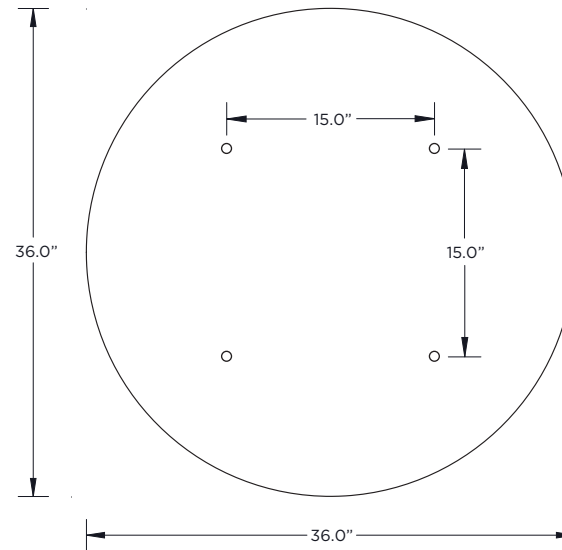
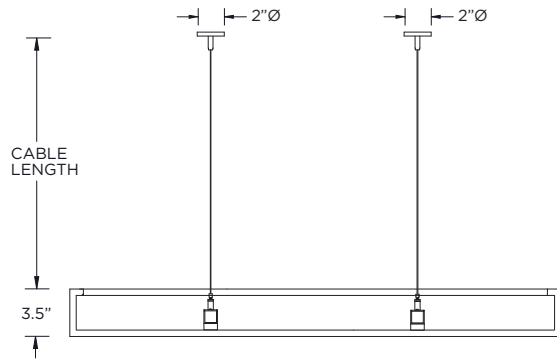
INSTRUCTION KEY	INFORMATION
 ADDITIONAL	INSTALLATION SHOULD ONLY BE PERFORMED BY A CERTIFIED ELECTRICIAN
 ATTENTION	REFER TO LOCAL/NATIONAL CODES FOR PROPER INSTALLATION
 POWER ON	FAILURE TO FOLLOW INSTALLATION INSTRUCTION MAY VOID THE WARRANTY
 POWER OFF	DO NOT TOUCH LEDS. LEDS MUST BE PROTECTED FROM MECHANICAL STRESS OR DEBRIS
	TURN OFF POWER DURING INSTALLATION OR SERVICING

SUSPENSION MOUNTING

24" ROUND

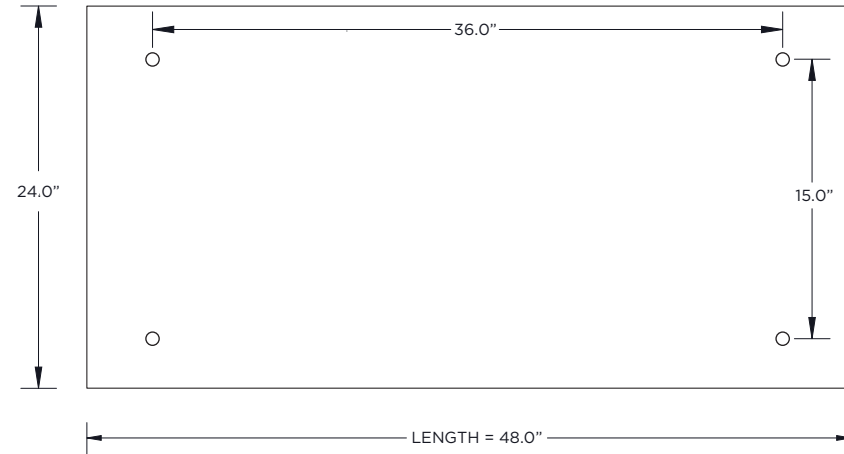
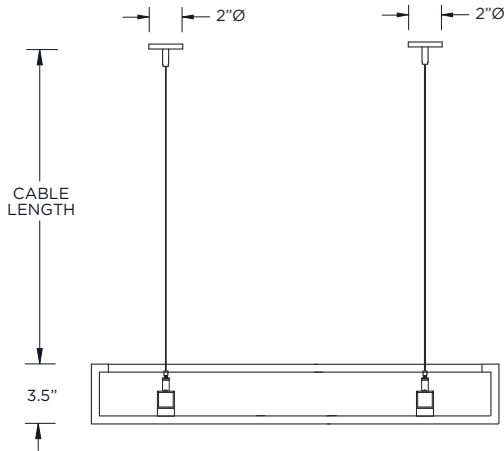


36" ROUND

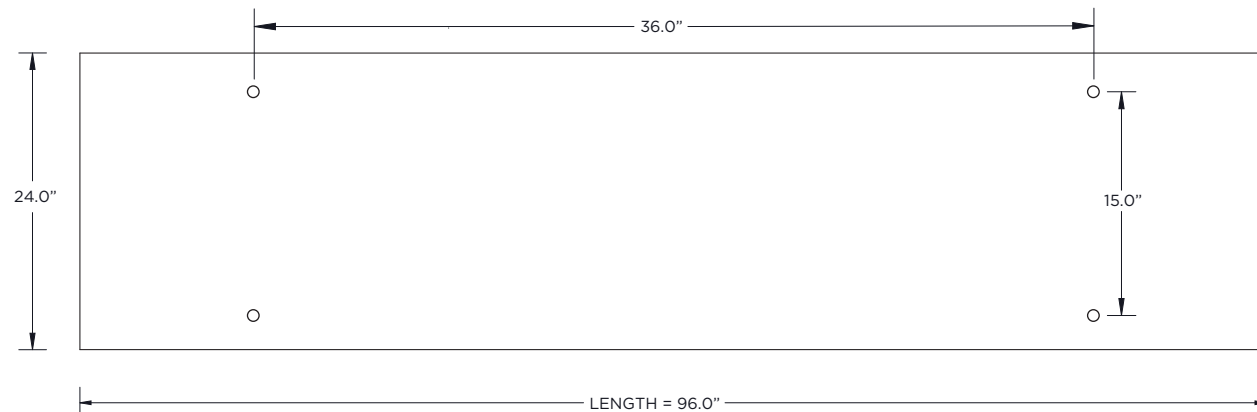
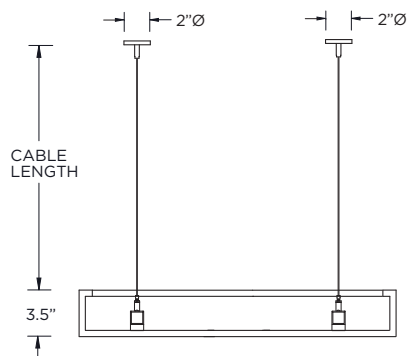


SUSPENSION MOUNTING

24" x 48" RECTANGLE

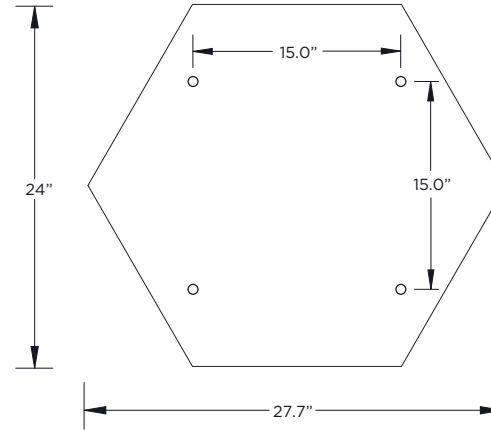
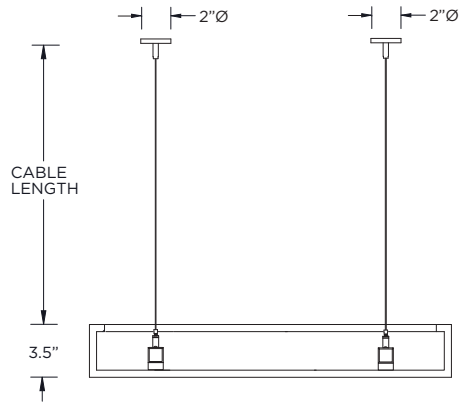


24" x 96" RECTANGLE

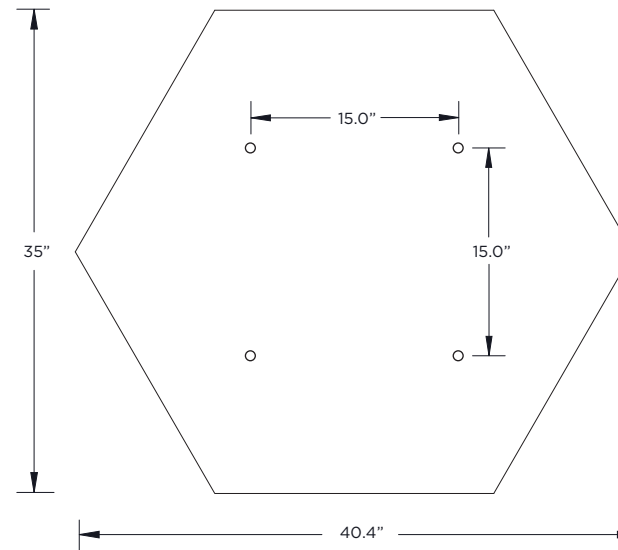
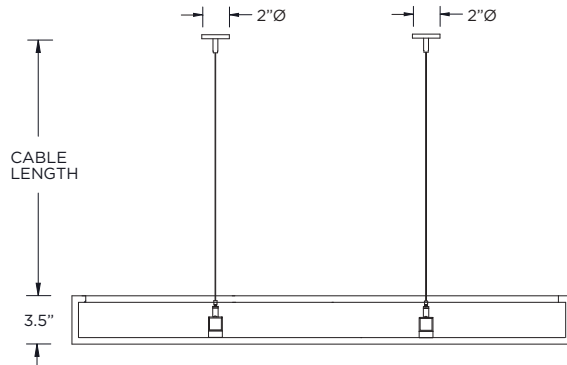


SUSPENSION MOUNTING

24" HEXAGON

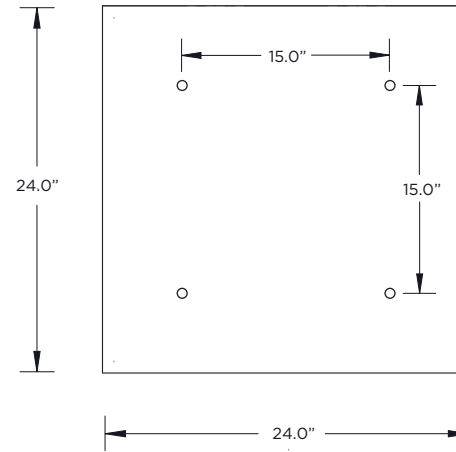
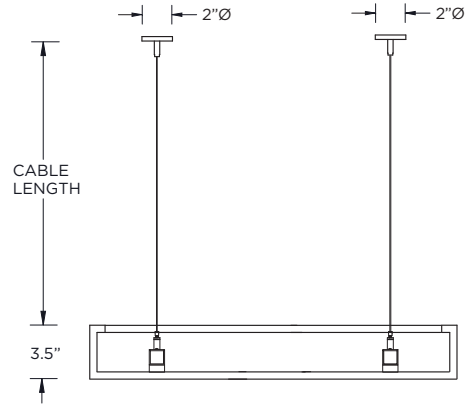


36" HEXAGON

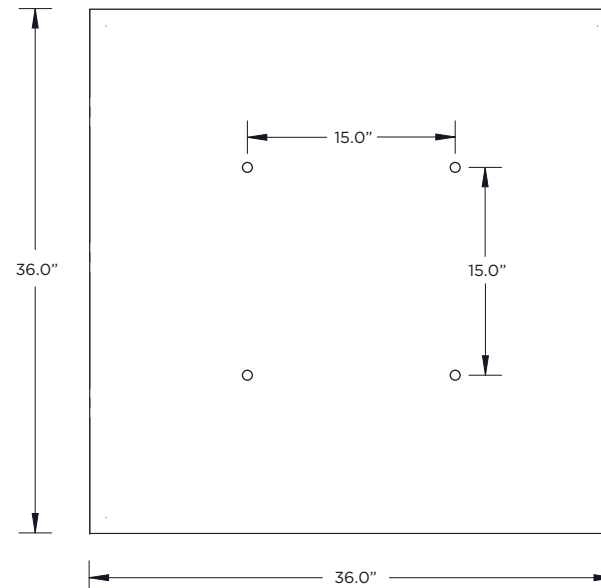
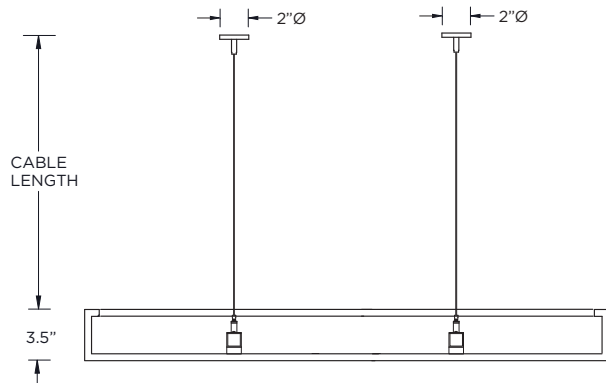


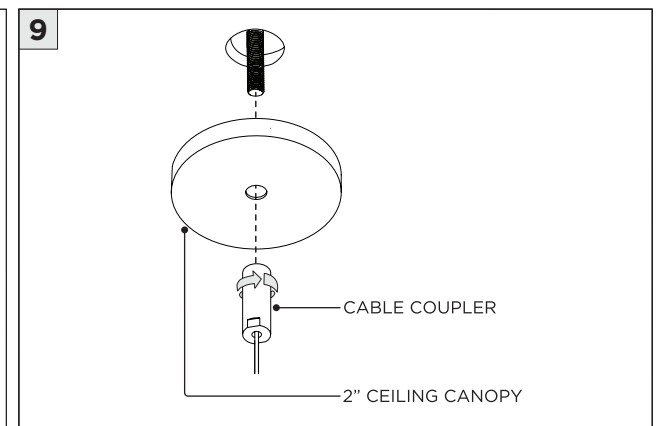
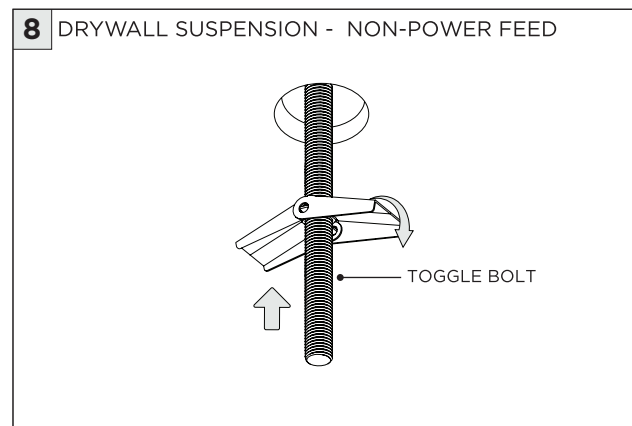
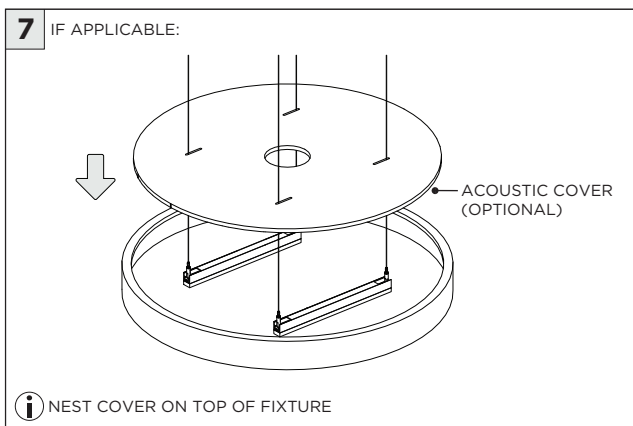
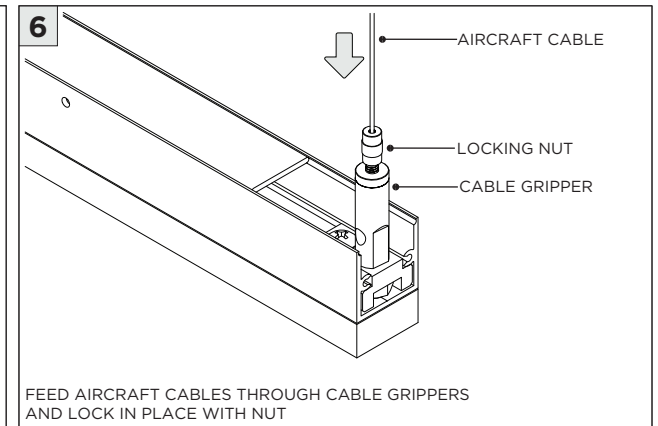
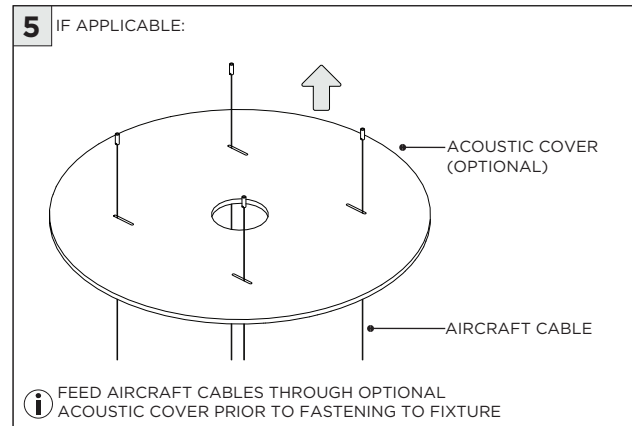
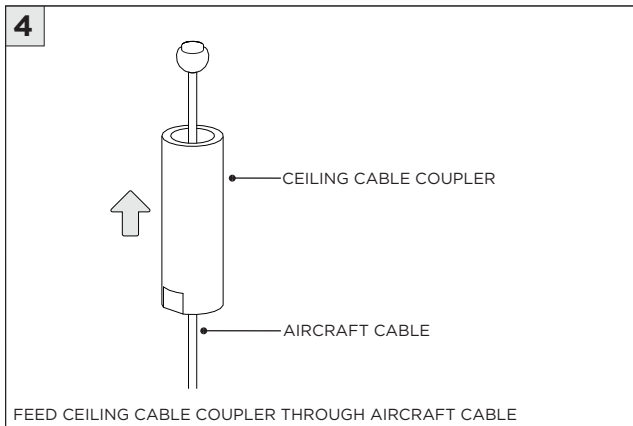
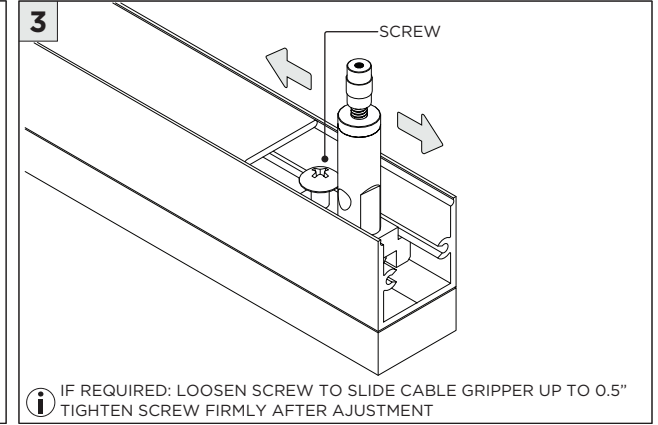
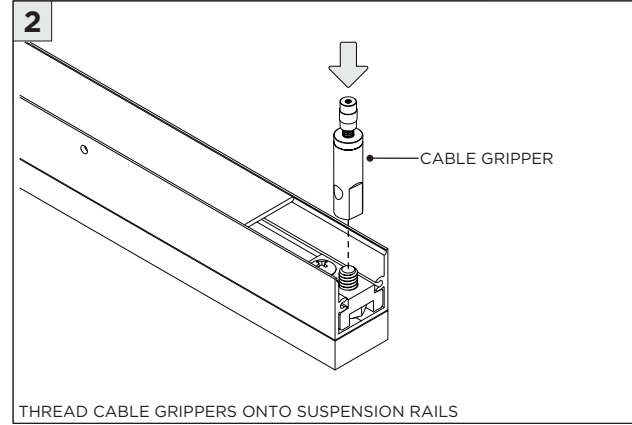
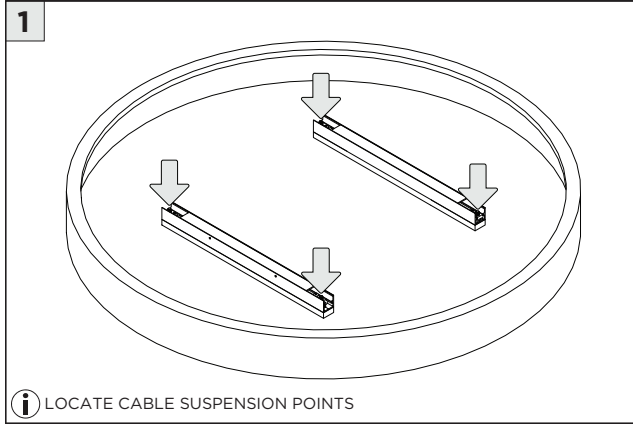
SUSPENSION MOUNTING

24" SQUARE

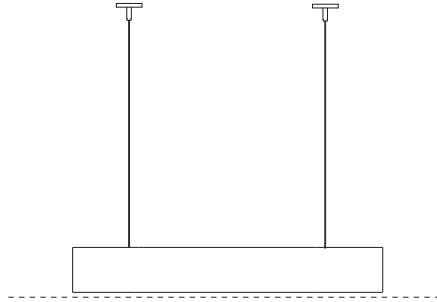


36" SQUARE





10



ENSURE FIXTURE IS LEVEL
ADJUST AIRCRAFT CABLE LENGTHS IF NECESSARY

FIXTURE JOINING KIT INSTALLATION - NOT APPLICABLE FOR ROUND ACOUSTIC FIXTURES

