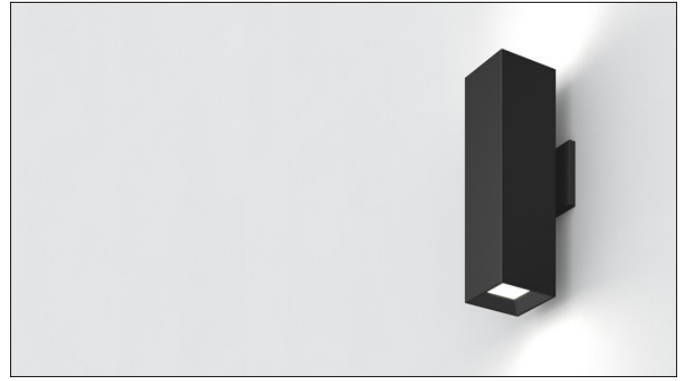


3G LIGHTING

3G-WDL33SF-DI

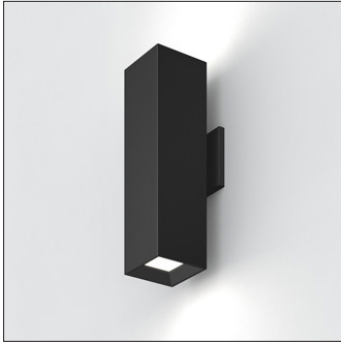
3.3" WALL CYLINDER
DIRECT/INDIRECT
14" HEIGHT

3.3" high performance wall mounted downlight cylinder
Standard 95+ CRI LED system with up to 111 LPW
Delivered lumen range up to 2000lm at 95+ CRI
Direct/Indirect distribution
Extruded aluminum housing with powder coated finish
Regressed LED source for enhanced glare control
Companion to 3G-DL33R series downlight family



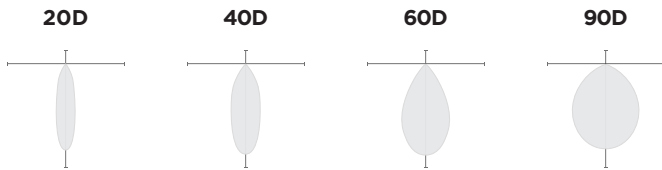
PRODUCTION Q4 2024

DIRECT/INDIRECT - 14"



OPTICS

DIRECT OR INDIRECT



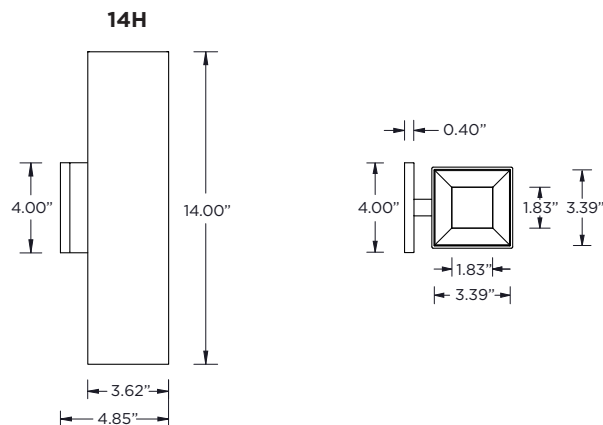
PERFORMANCE

DIRECT OR INDIRECT

LUMEN OUTPUT	DELIVERED LUMENS	SYSTEM WATTS	EFFICACY (LPW)
750	750	6.7	111
1000	1000	9.5	111
1250	1250	11.9	105

BASED ON 95+ CRI, 3500K, 40D OPTIC WITH SOFTENING LENS
Lumen output and actual wattage may vary +/- 5%

DIMENSIONS



PROJECT:		TYPE:	
CATALOG#:		DATE:	QTY:

CAT. NO	LUMEN OUTPUT (DIRECT)	LUMEN OUTPUT (INDIRECT)	CRI
3G-WDL33SF-DI	D07 - 750 LUMENS D10 - 1000 LUMENS D12 - 1250 LUMENS * <small>*1250lm (D12) only available with 750lm (L07)</small>	L07 - 750 LUMENS L10 - 1000 LUMENS L12 - 1250 LUMENS * <small>*1250lm (L12) only available with 750lm (D07)</small>	H95 - 95+ CRI

COLOR TEMP	BEAM ANGLE (DIRECT)	BEAM ANGLE (INDIRECT)	VOLTAGE
27K - 2700K 30K - 3000K 35K - 3500K 40K - 4000K	20D - 20° 40D - 40° 60D - 60° 90D - 90° <small>90D optic supplied with lens Not available with other lens options</small>	20D - 20° 40D - 40° 60D - 60° 90D - 90° <small>90D optic supplied with lens Not available with other lens options</small>	UNV - 120/277V 120 - 120V

DRIVER	HOUSING FINISH	INSERT FINISH	OPTIONS
DIM - 0-10V (100-1%) LE - PHASE DIM ¹ <small>(TRIAC/ELV, 100-1%)</small> D01 - 0-10V (100-0.1%) DALI - DALI-2 (TYPE 6)(100-1%)	WH - WHITE BK - BLACK SV - SILVER CF - CUSTOM COLOR	WI - WHITE BI - BLACK SI - SILVER CI - CUSTOM COLOR	SF - SOFTENING LENS * <small>(SUPPLIED STANDARD)</small> LS - LINEAR SPREAD LENS SB - SANDBLASTED LENS <small>*Softening lens not provided with 90D optic Maximum 1 optical accessory</small>

CIRCUITING
1C - SINGLE CIRCUIT 2C - DUAL CIRCUIT <small>(SEPARATE DIRECT & INDIRECT)</small>

¹ Phase dimming options available in 120V only

DIRECT

LUMEN OUTPUT	DELIVERED LUMENS	SYSTEM WATTS	EFFICACY (LPW)
750	750	6.7	111
1000	1000	9.5	111
1250	1250	11.9	105

BASED ON 95+ CRI, 3500K, 40D OPTIC WITH SOFTENING LENS
Lumen output and actual wattage may vary +/- 5%

INDIRECT

LUMEN OUTPUT	DELIVERED LUMENS	SYSTEM WATTS	EFFICACY (LPW)
750	750	6.7	111
1000	1000	9.5	111
1250	1250	11.9	105

BASED ON 95+ CRI, 3500K, 40D OPTIC WITH SOFTENING LENS
Lumen output and actual wattage may vary +/- 5%

MULTIPLIERS

BEAM ANGLE	
20D	0.90
40D	1.00
60D	0.98
90D	0.86

COLOR TEMP	
2700K	0.98
3000K	1.00
3500K	1.00
4000K	1.02

HOUSING

Extruded aluminum housing with powder coated finish

BEVELED INSERT

3.3" aperture with regressed LED source for enhanced glare control
Cast aluminum insert with matte powder coated finish

OPTICS

Proprietary anodized, aluminum reflectors
Available in 20°, 40°, 60° and 90°
Reflectors are field replaceable (20° reflector not interchangeable)
Softening lens supplied standard

LISTING

ETL listed and conforms to UL1598 standard
Certified to CSA22.2 NO.250.0.
Rated for indoor dry or damp locations

WARRANTY

5 year limited warranty
LED system rated for operation in ambient environments up to 25°C

ELECTRICAL

Standard 0-10V, constant current drivers with 100-1% dimming range and >0.9 power factor
Standard 120/277V universal voltage with several driver options
Integral drivers are easily accessible through fixture aperture

LED SYSTEM

Standard 95+ CRI
Color consistency <2 SDCM
Available in 27K, 30K, 35K, and 40K
L90 > 50,000 hours

MOUNTING

Square machined aluminum canopy with powder coated finish
Bracket and hardware mount to standard 4" octagonal junction box
Fixture weight: +/- 4.75 lbs