

# 3G LIGHTING

## 3G-WDZ45R-DI

4.5" ZOIE WALL CYLINDER  
DIRECT/INDIRECT  
14" HEIGHT

4,5" diameter high performance wall mounted Zoie cylinder LED system with performance up to 140 LPW  
Delivered lumen range up to 3000lm (80+ and 90+ CRI options)  
Direct/Indirect distribution  
Extruded aluminum housing with powder coated finish  
Regressed LED source provides maximum visual comfort (UGR <10)  
High gloss black or white louvers with proprietary optics and no glare  
Companion to 3G-DZ45R Zoie downlight and cylinder family



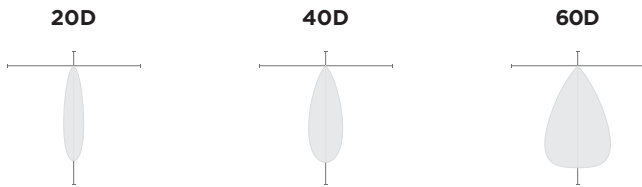
**PRODUCTION Q4 2024**

### DIRECT/INDIRECT - 14"



### OPTICS

#### DIRECT OR INDIRECT



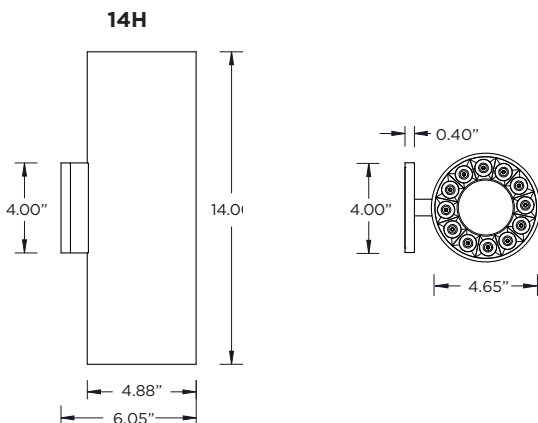
### PERFORMANCE

#### DIRECT OR INDIRECT

LUMEN OUTPUT	DELIVERED LUMENS	SYSTEM WATTS	EFFICACY (LPW)
1000	1000	8.0	124.7
1500	1500	12.8	116.9
2000	2000	17.1	116.7
2500	2500	22.3	112.2
3000	3000	29.0	103.4

BASED ON 80+ CRI, 3000K WITH 40D OPTIC  
Lumen output and actual wattage may vary +/- 5%

### DIMENSIONS



<b>PROJECT:</b>		<b>TYPE:</b>	
<b>CATALOG#:</b>		<b>DATE:</b>	<b>QTY:</b>

CAT. NO	LUMEN OUTPUT (DIRECT)	LUMEN OUTPUT (INDIRECT)	CRI
<b>3G-WDZ45R-DI</b>	<b>D10</b> - 1000 LUMENS <b>D15</b> - 1500 LUMENS <b>D20</b> - 2000 LUMENS <b>D25</b> - 2500 LUMENS <b>D30</b> - 3000 LUMENS  <small>All lumen outputs are delivered lumens                      *MAX 4500 total lumens (Direct/Indirect) 80+ CRI                      *MAX 3500 total lumens (Direct/Indirect) 90+ CRI</small>	<b>L10</b> - 1000 LUMENS <b>L15</b> - 1500 LUMENS <b>L20</b> - 2000 LUMENS <b>L25</b> - 2500 LUMENS <b>L30</b> - 3000 LUMENS  <small>All lumen outputs are delivered lumens                      *MAX 4500 total lumens (Direct/Indirect) 80+ CRI                      *MAX 3500 total lumens (Direct/Indirect) 90+ CRI</small>	<b>S80</b> - 80+ CRI <b>H90</b> - 90+ CRI <sup>1</sup>
COLOR TEMP	BEAM ANGLE (DIRECT)	BEAM ANGLE (INDIRECT)	VOLTAGE
<b>27K</b> - 2700K <sup>2</sup> <b>30K</b> - 3000K <b>35K</b> - 3500K <b>40K</b> - 4000K <sup>2</sup>	<b>20D</b> - 20° <b>40D</b> - 40° <b>60D</b> - 60°	<b>20D</b> - 20° <b>40D</b> - 40° <b>60D</b> - 60°	<b>UNV</b> - 120/277V <b>120</b> - 120V <b>347</b> - 347V <sup>3</sup>
DRIVER	HOUSING FINISH	LOUVER FINISH	CIRCUITING
<b>DIM</b> - 0-10V (100-1%) <b>LE</b> - PHASE DIM <sup>4</sup> (TRIAC/ELV, 100-1%) <b>D01</b> - 0-10V (100-0.1%) <b>DALI</b> - DALI (100-1%) <sup>5</sup>	<b>BK</b> - BLACK <b>WH</b> - WHITE <b>SV</b> - SILVER	<b>BLV</b> - BLACK <b>WLV</b> - WHITE	<b>1C</b> - SINGLE CIRCUIT <b>2C</b> - DUAL CIRCUIT (SEPARATE DIRECT & INDIRECT)

<sup>1</sup> 3000lm not available in 90CRI  
<sup>2</sup> 2700K only available in 90CRI and 4000K only available in 80CRI  
<sup>3</sup> 347 available in "DIM" 0-10V. Not available with 7H model  
<sup>4</sup> Phase dimming options available in 120V only  
<sup>5</sup> DALI-2 (Type 6) provided as standard. Consult factory for DALI Type 8 option

**PERFORMANCE**

LUMEN OUTPUT	DELIVERED LUMENS	SYSTEM WATTS	EFFICACY (LPW)
1000	1000	8.0	124.7
1500	1500	12.8	116.9
2000	2000	17.1	116.7
2500	2500	22.3	112.2
3000	3000	29.0	103.4

BASED ON 80+ CRI, 3000K WITH 40D OPTIC  
Lumen output and actual wattage may vary +/- 5%

**MULTIPLIERS**

COLOR TEMP	80+ CRI
2700K	N/A
3000K	1.00
3500K	0.94
4000K	1.11

COLOR TEMP	90+ CRI
2700K	0.83
3000K	0.83
3500K	0.88
4000K	N/A

BEAM ANGLE	
20D	0.98
40D	1.00
60D	1.02

**HOUSING**

Extruded aluminum housing with powder coated finish

**OPTICS**

4.5" aperture with regressed LED source for maximum visual comfort  
High gloss black or white louvers with proprietary optics and no glare  
Polycarbonate multi-faceted reflectors  
Available in 20°, 40° and 60°  
UGR <10

**LISTING**

ETL listed and conforms to UL1598 standard  
Certified to CSA22.2 NO.250.0.  
Rated for indoor dry or damp locations

**WARRANTY**

5 year limited warranty  
LED system rated for operation in ambient environments up to 25°C

**ELECTRICAL**

Standard 0-10V, constant current drivers with 100-1% dimming range and >0.9 power factor  
Standard 120/277V universal voltage with several driver options  
Integral drivers are easily accessible through fixture aperture

**LED SYSTEM**

Standard 80+ and 90+ CRI option  
Color consistency <2 SDCM  
Available in 27K, 30K, 35K, and 40K  
L90 >60,000 hours

**MOUNTING**

Square machined aluminum canopy with powder coated finish  
Bracket and hardware mount to standard 4" octagonal junction box  
Fixture weight: 6.34 lbs (max)