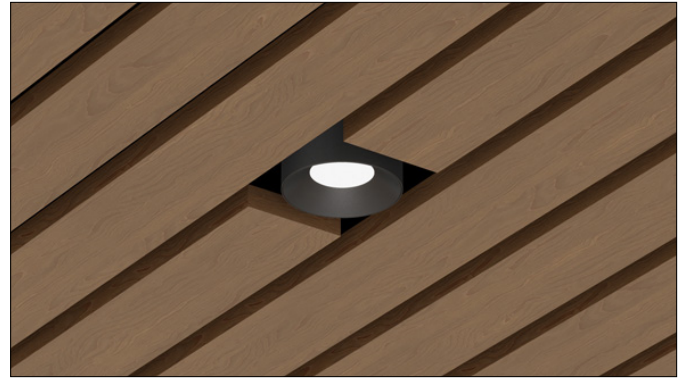


3G LIGHTING

3G-DL33RA-SC

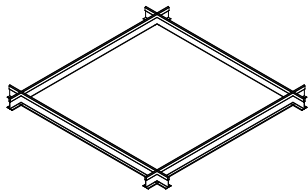
3.3" ROUND ADJUSTABLE DOWNLIGHT
SPECIALTY CEILINGS

3.3" diameter adjustable downlight with upgraded performance
Designed for integration with various specialty ceilings
Standard 95+ CRI LED system with performance up to 140 LPW
Delivered lumen range up to 2500lm at 95+ CRI
Regressed LED source for enhanced glare control
20° to 60° beam angle options suitable for various applications
Title 24 JA8 certified with maximum 1500lm output
Companion to 3G's Cylinder product family

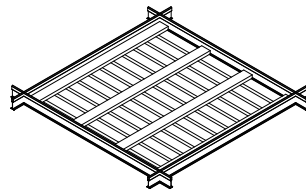


CEILING TYPES

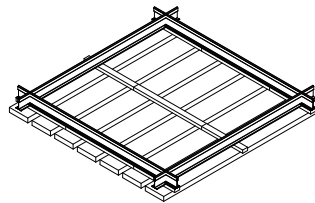
TEGULAR PANEL



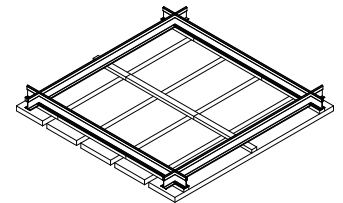
LINEAR TEGULAR PANEL



3.25"W LINEAR PANEL

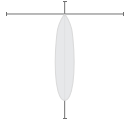


5.25"W LINEAR PANEL

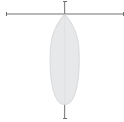


OPTICS

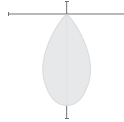
20D



40D



60D

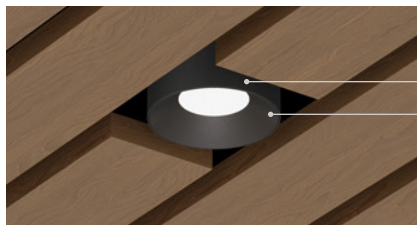


PERFORMANCE

| LUMEN OUTPUT | DELIVERED LUMENS | SYSTEM WATTS | EFFICACY (LPW) |
|--------------|------------------|--------------|----------------|
| 1000 | 1000 | 9.3 | 109 |
| 1500 | 1500 | 14.0 | 107 |
| 2000 | 2000 | 25.4 | 79 |
| 2500 | 2500 | 32.0 | 78 |

BASED ON 95+ CRI, 3500K, 40D OPTIC WITH SOFTENING LENS
Lumen output and actual wattage may vary +/- 5%

STANDARD FINISHES



BLACK COLLAR FINISH
BLACK BEVELED INSERT

| | | | |
|------------------|--|--------------|-------------|
| PROJECT: | | TYPE: | |
| CATALOG#: | | DATE: | QTY: |

| CAT. NO | LUMEN OUTPUT | CRI | COLOR TEMP | BEAM ANGLE | VOLTAGE |
|---------------------|---|----------------------|--|---|--|
| 3G-DL33RA-SC | 10 - 1000 LUMENS 15 - 1500 LUMENS 20 - 2000 LUMENS 25 - 2500 LUMENS <small>*All lumen outputs are delivered lumens at 95+ CRI</small> | H95 - 95+ CRI | 27K - 2700K 30K - 3000K 35K - 3500K 40K - 4000K | 20D - 20° ¹ 40D - 40° 60D - 60° | UNV - 120/277V 120 - 120V 347 - 347V ² |

| DRIVER | COLLAR FINISH | BEVELED INSERT | HOUSING TYPE |
|---|--|--|--|
| DIM - 0-10V (100-1%) LE - PHASE DIM ³ <small>(TRIAC/ELV, 100-1%)</small> D01 - 0-10V (100-0.1%) DALI - DALI (100-1%) ⁴ DMX - DMX (100-0%) DHL2 - LUTRON HI-LUME LDE1 <small>(1% ECOSYSTEM)</small> | BK - BLACK WH - WHITE SV - SILVER | BI - BLACK WI - WHITE SI - SILVER | SH - SHALLOW HOUSING ⁵ <small>(CP RATED)</small> NC - NEW CONSTRUCTION <small>HOUSING (CP RATED)</small> |

| OPTIONS |
|--|
| SF - SOFTENING LENS (SUPPLIED STANDARD) SB - SANDBLASTED LENS LS - LINEAR SPREAD LENS CP - CHICAGO PLENUM ⁶ EMR - REMOTE EMERGENCY BATTERY (REMOTE) ⁷ <small>Maximum 1 optical accessory</small> |

- ¹ 20D reflector available up to 2000lm
- ² 347 available in "DIM" 0-10V only (100-1%)
- ³ Phase dimming options available in 120V only
- ⁴ DALI-2 (Type 6) provided as standard. Please consult factory for DALI (Type 8) options
- ⁵ Shallow Housing available up to 2000lm
- ⁶ Chicago Plenum option available with Shallow Housing (2000lm max) and New Construction Housing
- ⁷ Emergency battery installed remotely by others. Not accessible through the inside of the fixture



JA8 (Title 24) Listing available with 1500lm maximum
 Driver options include "DIM" (0-10V) and "LE" (Phase dimming)

PERFORMANCE

| LUMEN OUTPUT | DELIVERED LUMENS | SYSTEM WATTS | EFFICACY (LPW) |
|--------------|------------------|--------------|----------------|
| 1000 | 1000 | 9.3 | 109 |
| 1500 | 1500 | 14.0 | 107 |
| 2000 | 2000 | 25.4 | 79 |
| 2500 | 2500 | 32.0 | 78 |

BASED ON 95+ CRI, 3500K, 40D OPTIC WITH SOFTENING LENS
Lumen output and actual wattage may vary +/- 5%

MULTIPLIERS

| BEAM ANGLE | |
|------------|------|
| 20D | 1.27 |
| 40D | 1.00 |
| 60D | 0.88 |

| COLOR TEMP | |
|------------|------|
| 2700K | 0.98 |
| 3000K | 1.00 |
| 3500K | 1.00 |
| 4000K | 1.02 |

HOUSING

Shallow housing and new construction housing options available
Maximum ceiling thickness of 1.5". Consult factory for modifications
Housings rated for #12 AWG (4 in, 4 out), 90°C conductors and through branch wiring

BEVELED INSERT

Cast aluminum beveled insert with matte powder coated finish
3.3" aperture with regressed LED source for enhanced glare control

OPTICS

Proprietary anodized, aluminum reflectors
Beam angle available in 20°, 40° and 60°
Reflectors are field replaceable (10° reflector not interchangeable)
Softening lens supplied standard
0° - 40° lockable tilt and 360° lockable rotation (center beam optimization)

LED SYSTEM

Standard 95+ CRI
Color consistency <2 SDCM
Available in 27K, 30K, 35K, and 40K
L90 > 50,000 hours

ELECTRICAL

Standard 0-10V, constant current drivers
100-1% dimming range and >0.9 power factor
Standard 120/277V universal voltage with several driver options
Integral drivers are easily accessible through luminaire aperture

EMERGENCY

7W output for 90 minutes (+/- 765lm at 95+ CRI). Title 24 Certified
Remote emergency battery (not accessible through fixture aperture)
Maximum remote mounting distance:
3000lm or below - 50ft (12AWG) or 25ft (14AWG)
Above 3000lm - 30ft (12AWG) or 20ft (14AWG)
Caution: Emergency Battery utilizes more than one power source and servicing should be performed by qualified personnel

MOUNTING

All housing options ship with adjustable C-Channel bar hangers
Designed for integration with various wood ceiling systems
Infill panel accessory available with ceiling manufacturer (supplied by others)

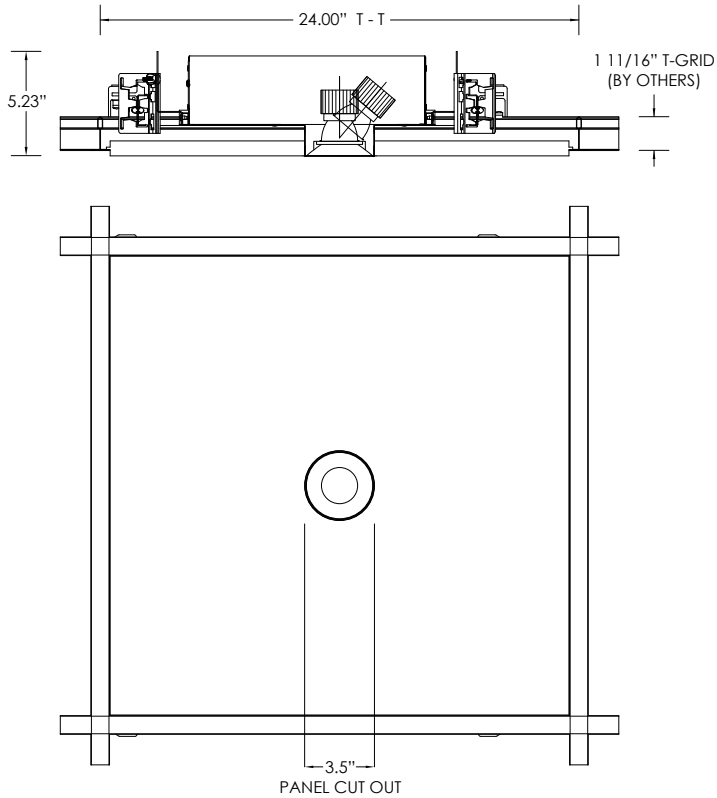
LISTING

ETL listed and conforms to UL1598 standard
Certified to CSA22.2 NO.250.0.
JA8 (Title 24) Listed
Rated for dry or damp locations

WARRANTY

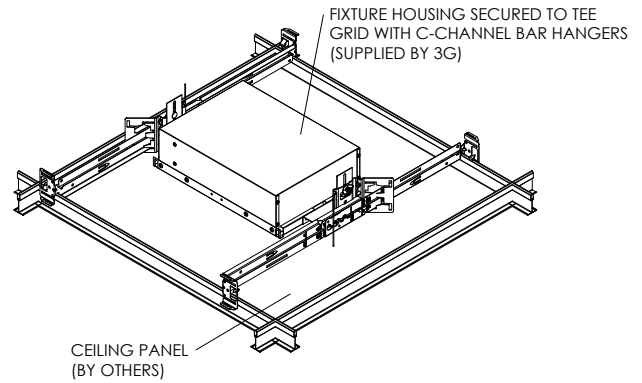
5 year limited warranty
LED system rated for operation in ambient environments up to 25°C

REGULAR PANEL (CEILING SYSTEM BY OTHERS)



| COMPATIBLE CEILING SYSTEMS | |
|----------------------------|--|
| MANUFACTURER | PART NUMBER |
| ARMSTRONG | 5404F01, 5404F02, 6484F01, 6484F02, 6485F01, 6485F02, 6486F01, 6486F02, 6487F01, 6487F02, 6510F01, 6510F02, 6511F01, 6511F02, 6512F01, 6512F02 |

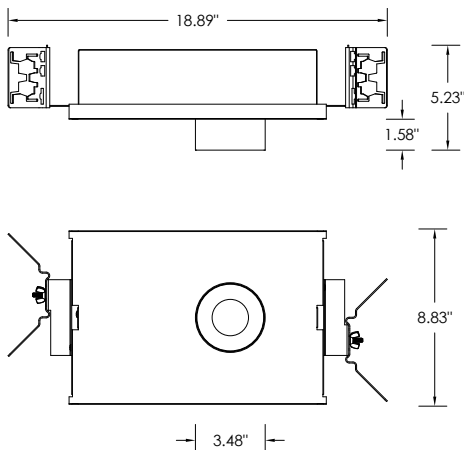
SH - SHALLOW HOUSING



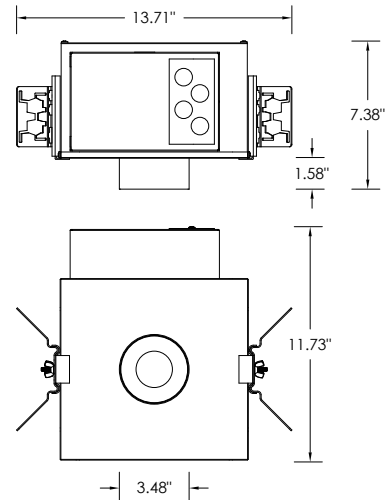
PLEASE NOTE: FIXTURE INSTALLATION MUST BE COORDINATED WITH CEILING PANEL INSTALLATION TO ENSURE FIXTURE ACCESSIBILITY CEILING SYSTEM AND 5/8" THICK INFILL PANEL (BY OTHERS)

HOUSING TYPES

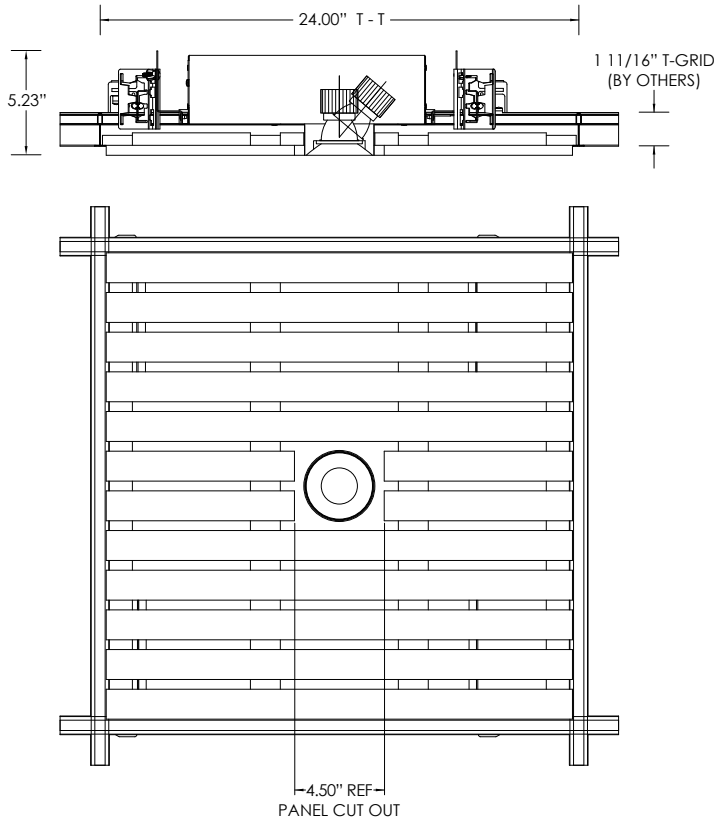
SH - SHALLOW HOUSING (CP RATED) (2000LM MAX)



NC - NEW CONSTRUCTION HOUSING (CP RATED)

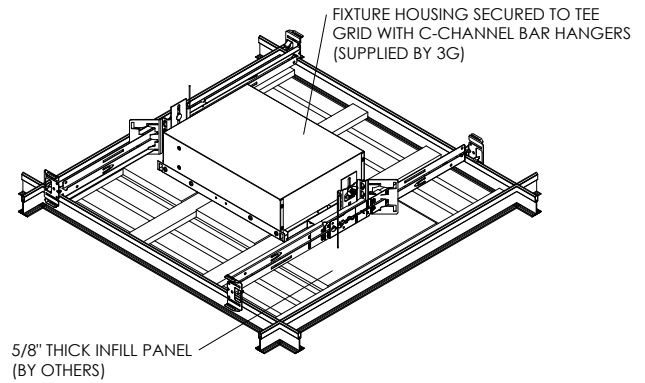


LINEAR TEGULAR (CEILING SYSTEM BY OTHERS)



| COMPATIBLE CEILING SYSTEMS | |
|----------------------------|--|
| MANUFACTURER | COMPATIBLE PART NUMBER |
| ARMSTRONG | 6733F51L2T9, 6733F51L4T9, 6733F51L2T5, 6733F51L4T5 |

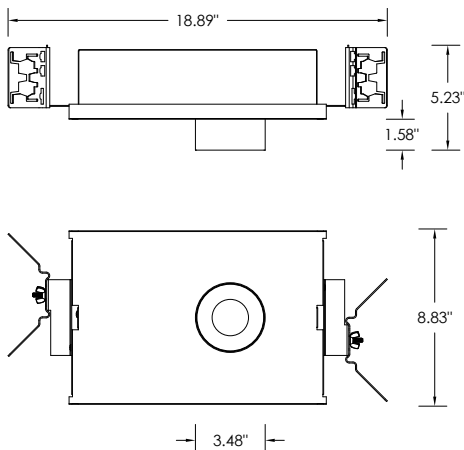
SH - SHALLOW HOUSING



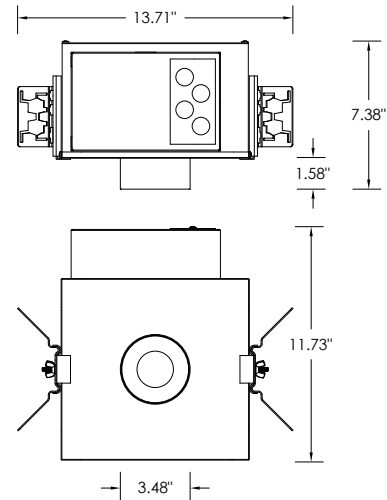
PLEASE NOTE: FIXTURE INSTALLATION MUST BE COORDINATED WITH CEILING PANEL INSTALLATION TO ENSURE FIXTURE ACCESSIBILITY CEILING SYSTEM AND 5/8" THICK INFILL PANEL (BY OTHERS)

HOUSING TYPES

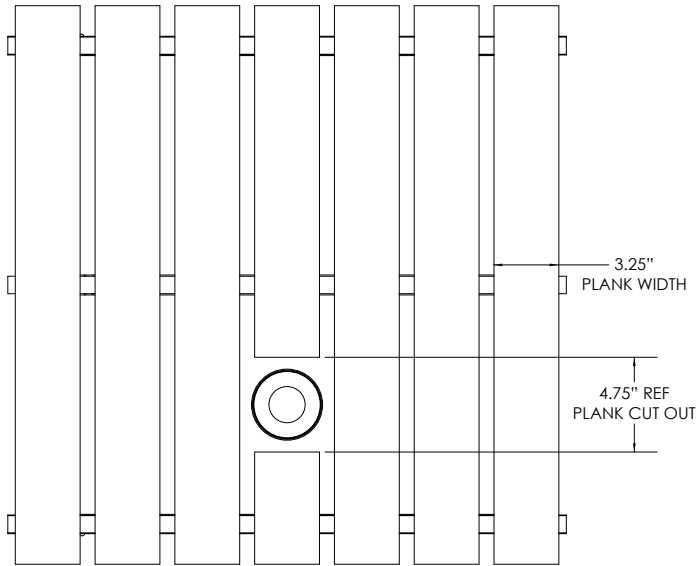
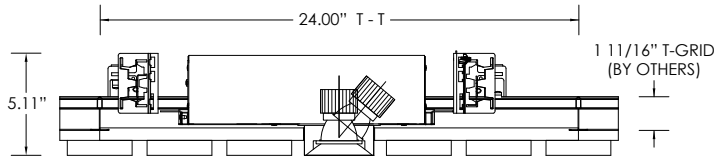
SH - SHALLOW HOUSING (CP RATED) (2000LM MAX)



NC - NEW CONSTRUCTION HOUSING (CP RATED)

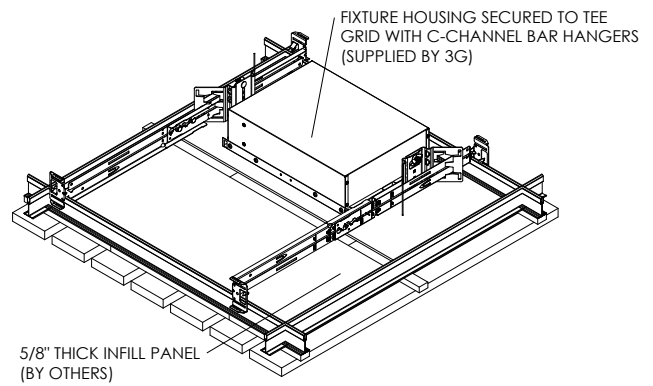


3.25" LINEAR PANEL (CEILING SYSTEM BY OTHERS)



| COMPATIBLE CEILING SYSTEMS | |
|----------------------------|------------------------|
| MANUFACTURER | COMPATIBLE PART NUMBER |
| ARMSTRONG | 8176W1 |
| 9WOOD | 2114-2, 2114-3 |

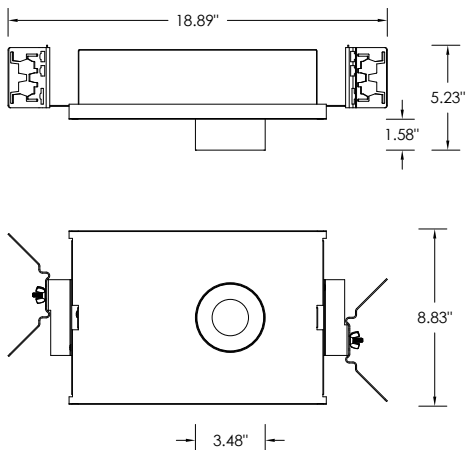
SH - SHALLOW HOUSING



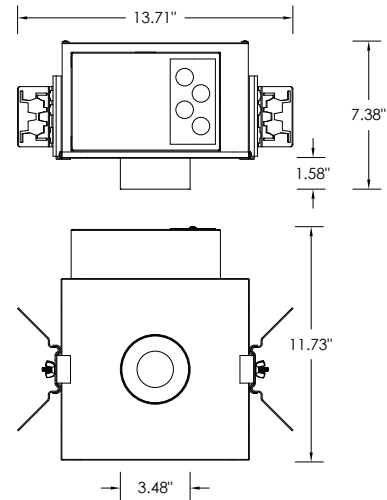
PLEASE NOTE: FIXTURE INSTALLATION MUST BE COORDINATED WITH CEILING PANEL INSTALLATION TO ENSURE FIXTURE ACCESSIBILITY CEILING SYSTEM AND 5/8" THICK INFILL PANEL (BY OTHERS)

HOUSING TYPES

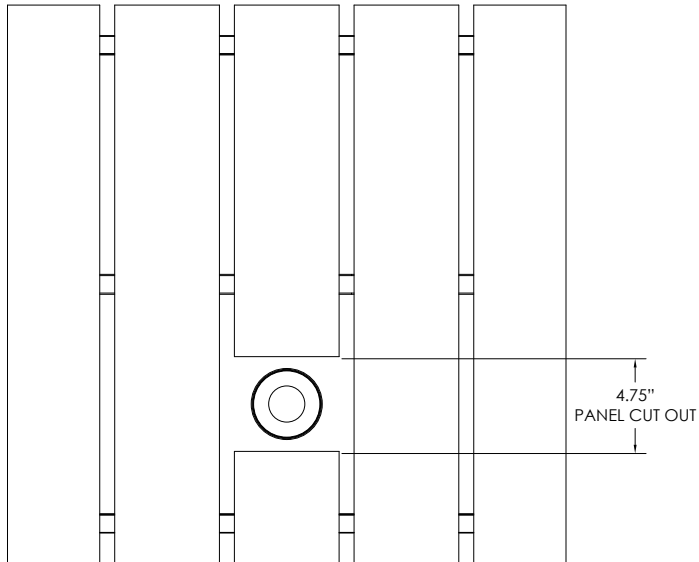
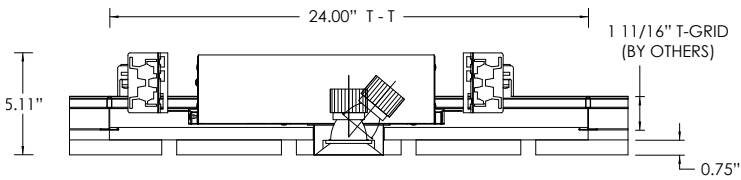
SH - SHALLOW HOUSING (CP RATED) (2000LM MAX)



NC - NEW CONSTRUCTION HOUSING (CP RATED)

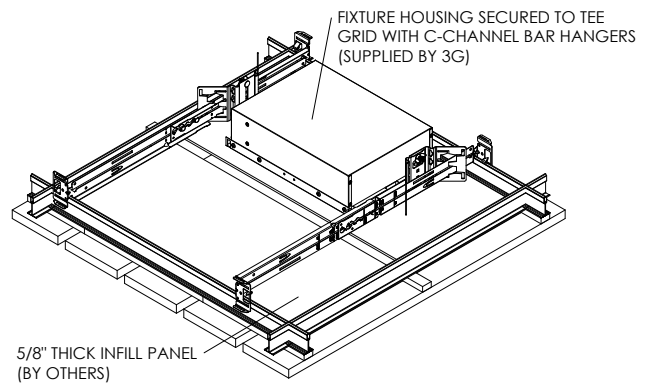


5.25" LINEAR PANEL (CEILING SYSTEM BY OTHERS)



| COMPATIBLE CEILING SYSTEMS | |
|----------------------------|------------------------|
| MANUFACTURER | COMPATIBLE PART NUMBER |
| ARMSTRONG | 8177W1 |
| 9WOOD | 2116-2 |

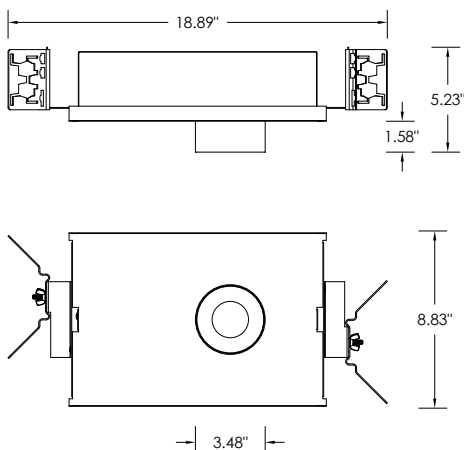
SH - SHALLOW HOUSING



PLEASE NOTE: FIXTURE INSTALLATION MUST BE COORDINATED WITH CEILING PANEL INSTALLATION TO ENSURE FIXTURE ACCESSIBILITY CEILING SYSTEM AND 5/8" THICK INFILL PANEL (BY OTHERS)

HOUSING TYPES

SH - SHALLOW HOUSING (CP RATED) (2000LM MAX)



NC - NEW CONSTRUCTION HOUSING (CP RATED)

