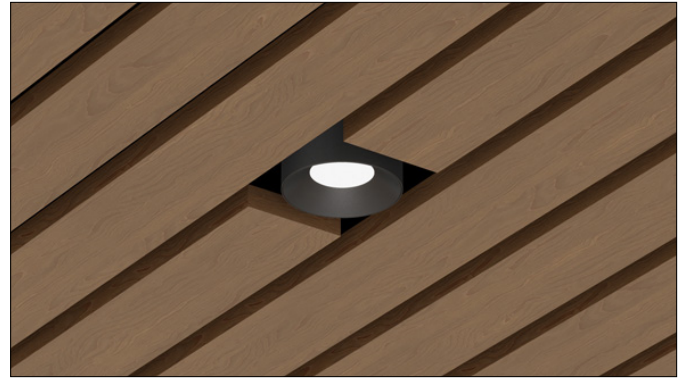


# 3G LIGHTING

## 3G-DL33RF-SC

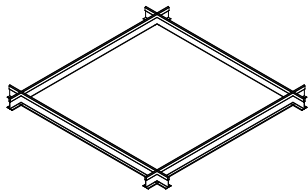
3.3" ROUND FIXED DOWNLIGHT  
SPECIALTY CEILINGS

3.3" diameter fixed downlight with upgraded performance  
 Designed for integration with various specialty ceilings  
 Standard 95+ CRI LED system with performance up to 144 LPW  
 Delivered lumen range up to 3000lm at 95+ CRI  
 Regressed LED source for enhanced glare control  
 20° to 90° beam angle options suitable for various applications  
 Title 24 JA8 certified with maximum 1500lm output  
 Companion to 3G's Cylinder product family

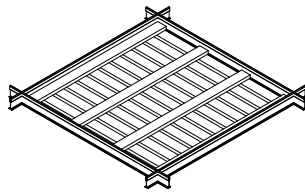


### CEILING TYPES

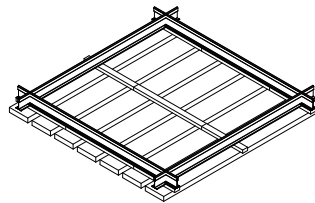
TEGULAR PANEL



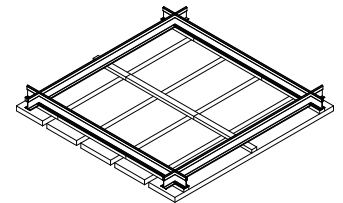
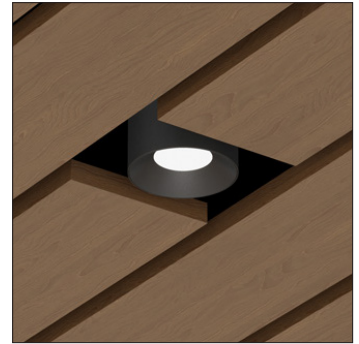
LINEAR TEGULAR PANEL



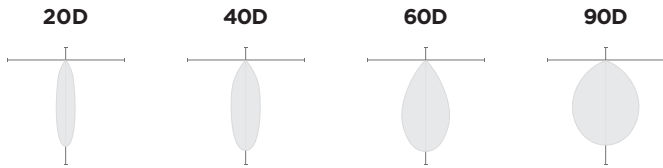
3.25"W LINEAR PANEL



5.25"W LINEAR PANEL



### OPTICS

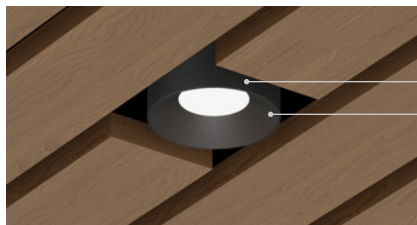


### PERFORMANCE

LUMEN OUTPUT	DELIVERED LUMENS	SYSTEM WATTS	EFFICACY (LPW)
1000	1000	8.6	116
1500	1500	13.5	111
2000	2000	18.3	109
2500	2500	25.8	97
3000	3000	31.2	96

BASED ON 95+ CRI, 3500K, 40D OPTIC WITH SOFTENING LENS  
 Lumen output and actual wattage may vary +/- 5%

### STANDARD FINISHES



BLACK COLLAR FINISH  
 BLACK BEVELED INSERT

<b>PROJECT:</b>		<b>TYPE:</b>	
<b>CATALOG#:</b>		<b>DATE:</b>	<b>QTY:</b>

CAT. NO	LUMEN OUTPUT	CRI	COLOR TEMP	BEAM ANGLE	VOLTAGE
<b>3G-DL33RF-SC</b>	<b>10</b> - 1000 LUMENS <b>15</b> - 1500 LUMENS <b>20</b> - 2000 LUMENS <b>25</b> - 2500 LUMENS <b>30</b> - 3000 LUMENS  <small>*All lumen outputs are delivered lumens at 95+ CRI</small>	<b>H95</b> - 95+ CRI	<b>27K</b> - 2700K <b>30K</b> - 3000K <b>35K</b> - 3500K <b>40K</b> - 4000K	<b>20D</b> - 20° <sup>1</sup> <b>40D</b> - 40° <b>60D</b> - 60° <b>90D</b> - 90° *  <small>*90D optic supplied with lens Not available with other lens options</small>	<b>UNV</b> - 120/277V <b>120</b> - 120V <b>347</b> - 347V <sup>2</sup>

DRIVER	COLLAR FINISH	BEVELED INSERT	HOUSING TYPE
<b>DIM</b> - 0-10V (100-1%) <b>LE</b> - PHASE DIM <sup>3</sup> <small>(TRIAC/ELV, 100-1%)</small> <b>DO1</b> - 0-10V (100-0.1%) <b>DALI</b> - DALI (100-1%) <sup>4</sup> <b>DMX</b> - DMX (100-0%) <b>DHL2</b> - LUTRON HI-LUME LDE1 <small>(1% ECOSYSTEM)</small>	<b>BK</b> - BLACK <b>WH</b> - WHITE <b>SV</b> - SILVER	<b>BI</b> - BLACK <b>WI</b> - WHITE <b>SI</b> - SILVER	<b>SH</b> - SHALLOW HOUSING <sup>5</sup> <small>(CP RATED)</small> <b>NC</b> - NEW CONSTRUCTION <small>HOUSING (CP RATED)</small>  <small>All housings ship with C-channel bar hangers</small>

OPTIONS
<b>SF</b> - SOFTENING LENS (SUPPLIED STANDARD) <b>SB</b> - SANDBLASTED LENS <b>LS</b> - LINEAR SPREAD LENS <b>CP</b> - CHICAGO PLENUM <sup>6</sup> <b>EMR</b> - REMOTE EMERGENCY BATTERY (REMOTE) <sup>7</sup>  <small>*Softening lens not provided with 90D optic Maximum 1 optical accessory</small>

- <sup>1</sup> 20D reflector available up to 2000lm
- <sup>2</sup> 347 available in "DIM" 0-10V only (100-1%)
- <sup>3</sup> Phase dimming options available in 120V only
- <sup>4</sup> DALI-2 (Type 6) provided as standard. Please consult factory for DALI (Type 8) options
- <sup>5</sup> Shallow Housing available up to 2000lm
- <sup>6</sup> Chicago Plenum option available with Shallow Housing (2000lm max) and New Construction Housing
- <sup>7</sup> Supplied with enclosure with Emergency Battery and driver. Installed remotely by others. Not accessible through fixture aperture



JAB8 (Title 24) Listing available with 1500lm maximum  
Driver options include "DIM" (0-10V) and "LE" (Phase dimming)

**PERFORMANCE**

LUMEN OUTPUT	DELIVERED LUMENS	SYSTEM WATTS	EFFICACY (LPW)
1000	1000	8.6	116
1500	1500	13.5	111
2000	2000	18.3	109
2500	2500	25.8	97
3000	3000	31.2	96

BASED ON 95+ CRI, 3500K, 40D OPTIC WITH SOFTENING LENS  
Lumen output and actual wattage may vary +/- 5%

**MULTIPLIERS**

BEAM ANGLE	
20D	1.24
40D	1.00
60D	0.97
90D	0.91

COLOR TEMP	
2700K	0.98
3000K	1.00
3500K	1.00
4000K	1.02

**HOUSING**

Shallow housing and new construction housing options available  
Maximum ceiling thickness of 1.5". Consult factory for modifications  
Housings rated for #12 AWG (4 in, 4 out), 90°C conductors and through branch wiring

**BEVELED INSERT**

Cast aluminum beveled insert with matte powder coated finish  
3.3" aperture with regressed LED source for enhanced glare control

**OPTICS**

Proprietary anodized, aluminum reflectors  
Beam angle available in 20°, 40°, 60° and 90°  
Reflectors are field replaceable (20° reflector not interchangeable)  
Softening lens supplied standard

**LED SYSTEM**

Standard 95+ CRI  
Color consistency <2 SDCM  
Available in 27K, 30K, 35K, and 40K  
L90 > 50,000 hours

**ELECTRICAL**

Standard 0-10V, constant current drivers  
100-1% dimming range and >0.9 power factor  
Standard 120/277V universal voltage with several driver options  
Integral drivers are easily accessible through luminaire aperture

**EMERGENCY**

7W output for 90 minutes (+/- 800lm at 95+ CRI). Title 24 Certified  
Remote emergency battery (not accessible through fixture aperture)  
Maximum remote mounting distance:  
3000lm or below - 50ft (12AWG) or 25ft (14AWG)  
Above 3000lm - 30ft (12AWG) or 20ft (14AWG)  
Caution: Emergency Battery utilizes more than one power source and servicing should be performed by qualified personnel

**MOUNTING**

All housing options ship with adjustable C-Channel bar hangers  
Designed for integration with various wood ceiling systems  
Infill panel accessory available with ceiling manufacturer (supplied by others)

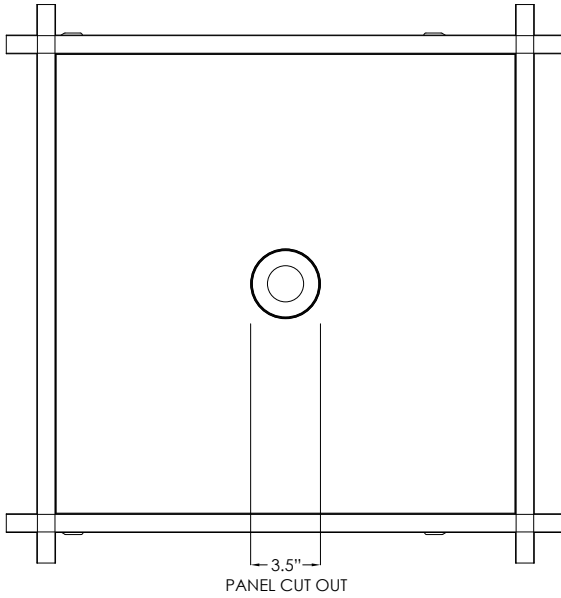
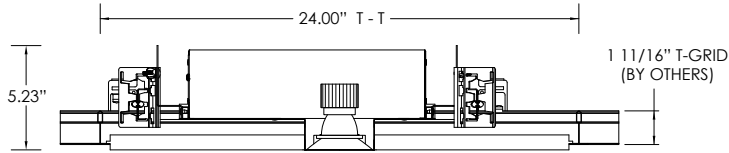
**LISTING**

ETL listed and conforms to UL1598 standard  
Certified to CSA22.2 NO.250.0.  
JA8 (Title 24) Listed  
Rated for dry or damp locations

**WARRANTY**

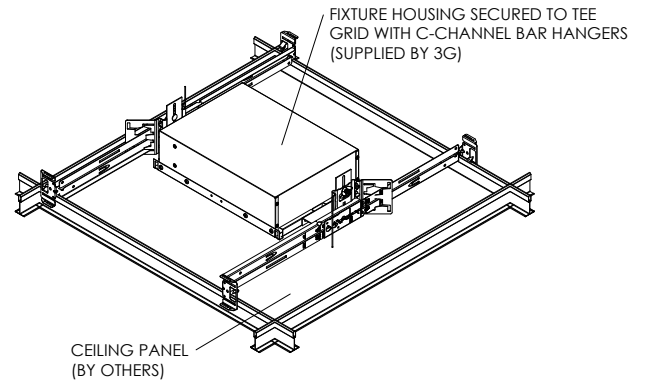
5 year limited warranty  
LED system rated for operation in ambient environments up to 25°C

REGULAR PANEL (CEILING SYSTEM BY OTHERS)



COMPATIBLE CEILING SYSTEMS	
MANUFACTURER	PART NUMBER
ARMSTRONG	5404F01, 5404F02, 6484F01, 6484F02, 6485F01, 6485F02, 6486F01, 6486F02, 6487F01, 6487F02, 6510F01, 6510F02, 6511F01, 6511F02, 6512F01, 6512F02

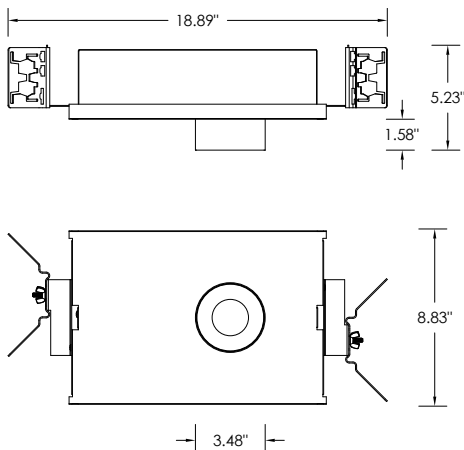
**SH - SHALLOW HOUSING**



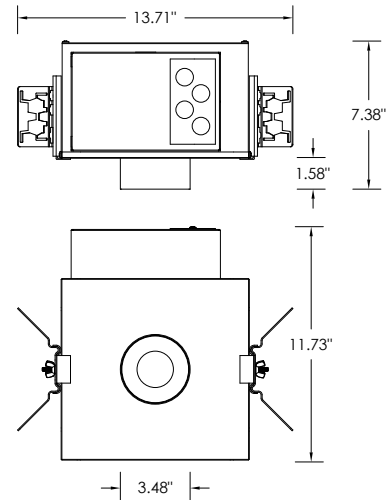
**PLEASE NOTE:** FIXTURE INSTALLATION MUST BE COORDINATED WITH CEILING PANEL INSTALLATION TO ENSURE FIXTURE ACCESSIBILITY CEILING SYSTEM AND 5/8" THICK INFILL PANEL (BY OTHERS)

**HOUSING TYPES**

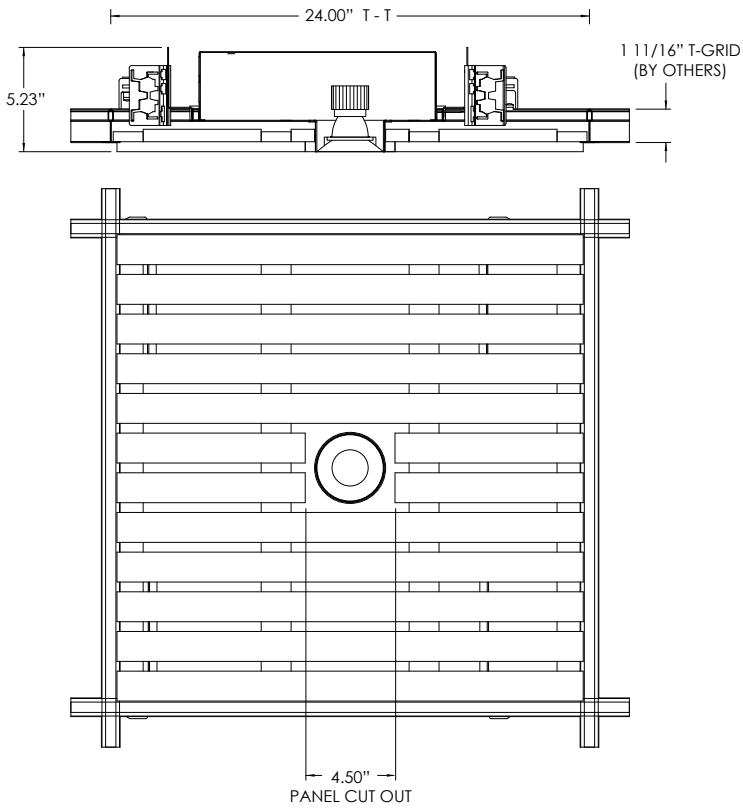
**SH - SHALLOW HOUSING (CP RATED) (2000LM MAX)**



**NC - NEW CONSTRUCTION HOUSING (CP RATED)**

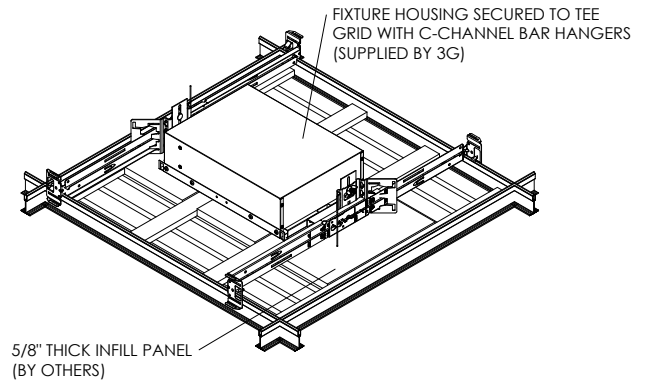


LINEAR TEGULAR (CEILING SYSTEM BY OTHERS)



COMPATIBLE CEILING SYSTEMS	
MANUFACTURER	COMPATIBLE PART NUMBER
ARMSTRONG	6733F51L2T9, 6733F51L4T9, 6733F51L2T5, 6733F51L4T5

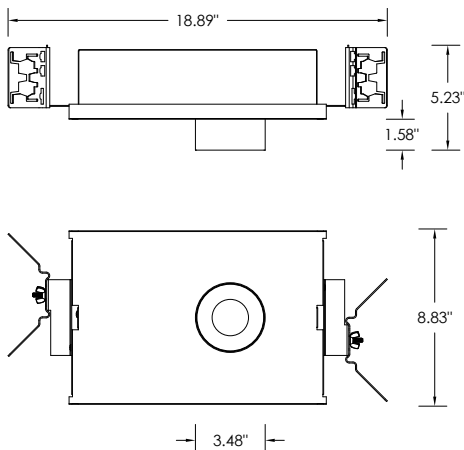
**SH - SHALLOW HOUSING**



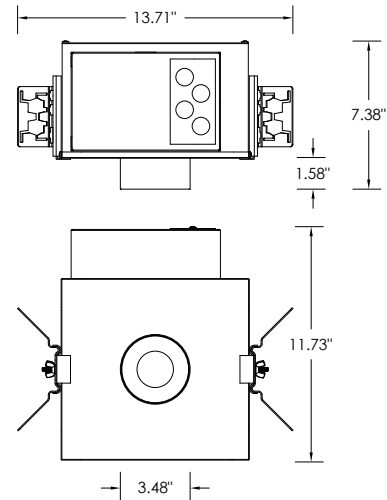
**PLEASE NOTE:** FIXTURE INSTALLATION MUST BE COORDINATED WITH CEILING PANEL INSTALLATION TO ENSURE FIXTURE ACCESSIBILITY CEILING SYSTEM AND 5/8" THICK INFILL PANEL (BY OTHERS)

**HOUSING TYPES**

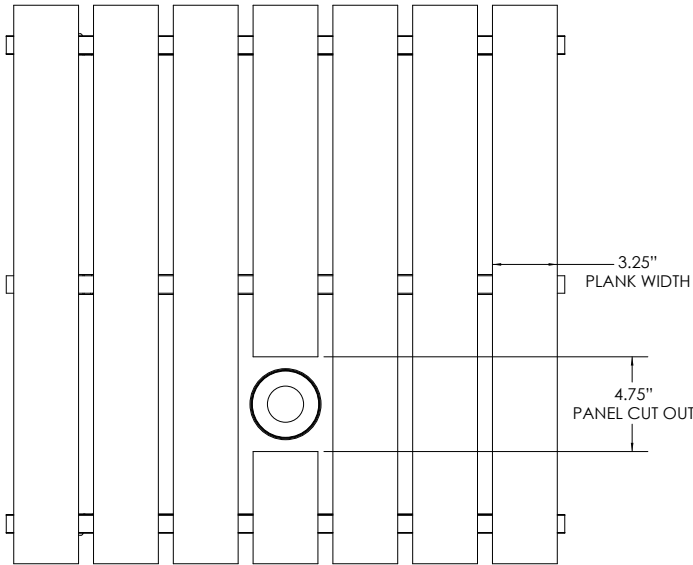
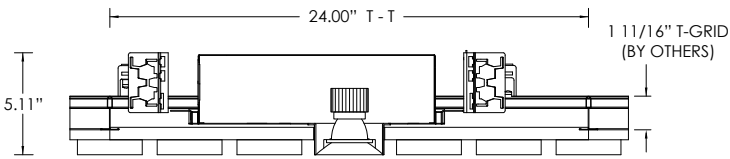
**SH - SHALLOW HOUSING (CP RATED) (2000LM MAX)**



**NC - NEW CONSTRUCTION HOUSING (CP RATED)**

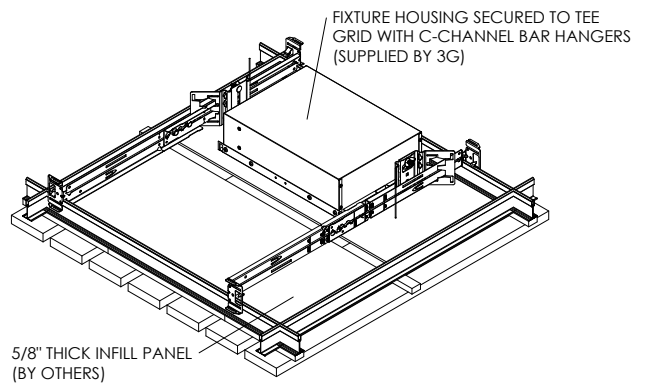


3.25" LINEAR PANEL (CEILING SYSTEM BY OTHERS)



COMPATIBLE CEILING SYSTEMS	
MANUFACTURER	COMPATIBLE PART NUMBER
ARMSTRONG	8176W1
9WOOD	2114-2, 2114-3

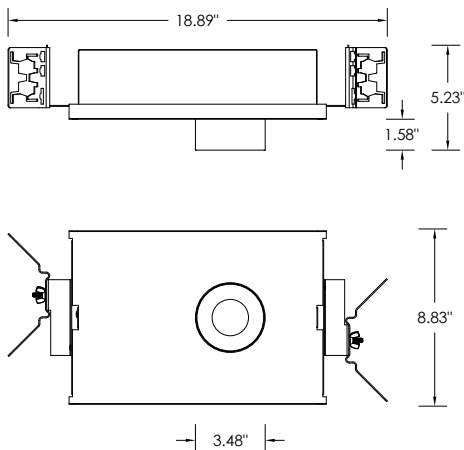
**SH - SHALLOW HOUSING**



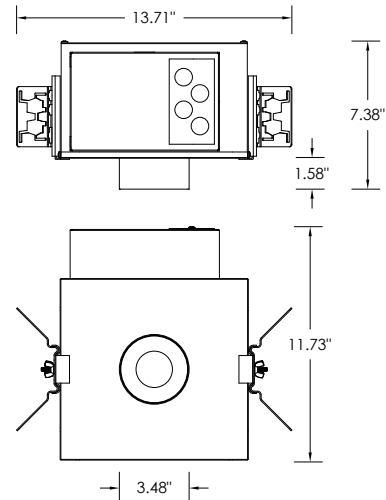
**PLEASE NOTE:** FIXTURE INSTALLATION MUST BE COORDINATED WITH CEILING PANEL INSTALLATION TO ENSURE FIXTURE ACCESSIBILITY CEILING SYSTEM AND 5/8" THICK INFILL PANEL (BY OTHERS)

**HOUSING TYPES**

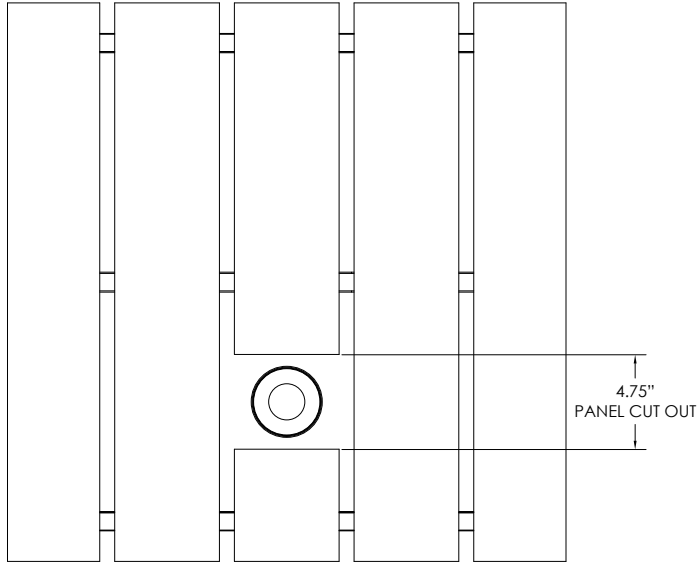
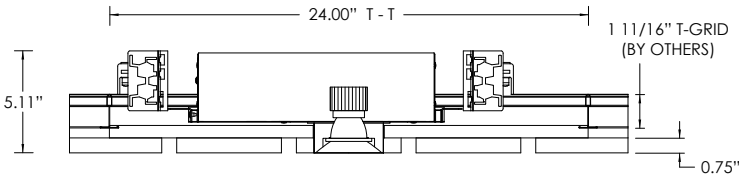
**SH - SHALLOW HOUSING (CP RATED) (2000LM MAX)**



**NC - NEW CONSTRUCTION HOUSING (CP RATED)**

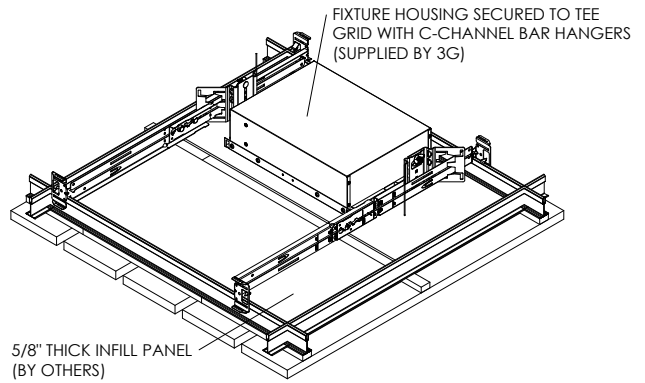


5.25" LINEAR PANEL (CEILING SYSTEM BY OTHERS)



COMPATIBLE CEILING SYSTEMS	
MANUFACTURER	COMPATIBLE PART NUMBER
ARMSTRONG	8177W1
9WOOD	2116-2

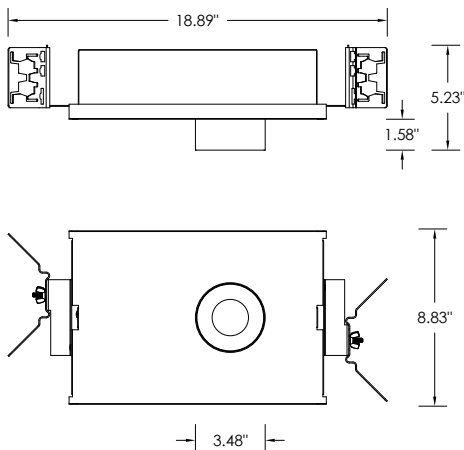
**SH - SHALLOW HOUSING**



**PLEASE NOTE:** FIXTURE INSTALLATION MUST BE COORDINATED WITH CEILING PANEL INSTALLATION TO ENSURE FIXTURE ACCESSIBILITY CEILING SYSTEM AND 5/8" THICK INFILL PANEL (BY OTHERS)

**HOUSING TYPES**

**SH - SHALLOW HOUSING (CP RATED) (2000LM MAX)**



**NC - NEW CONSTRUCTION HOUSING (CP RATED)**

