

3G LIGHTING

3G-DL45RA-SC

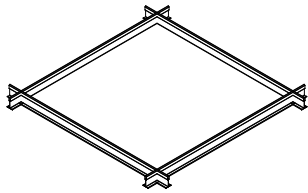
4.5" ROUND ADJUSTABLE DOWNLIGHT
SPECIALTY CEILINGS

4.5" diameter, adjustable downlight with upgraded performance
Designed for integration with various specialty ceilings
Standard 95+ CRI LED system with performance up to 113 LPW
Delivered lumen range up to 3500lm at 95+ CRI
Regressed LED source for enhanced glare control
Proprietary hot aiming mechanism with sliding center beam optimization
0° - 40° lockable tilt and 360° lockable rotation
Energy Star and Title 24 JA8 certified with maximum 1500lm output
Companion to 3G's Cylinder product family

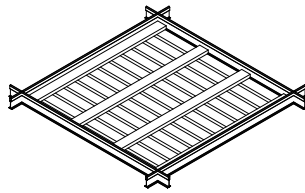
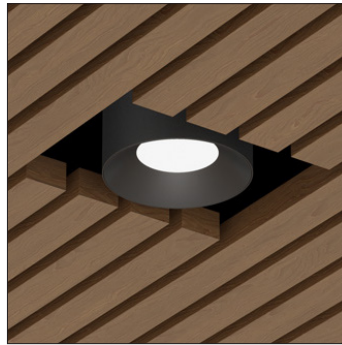


CEILING TYPES

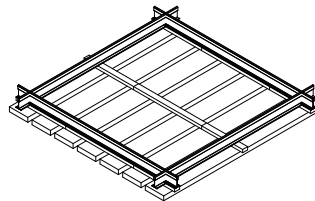
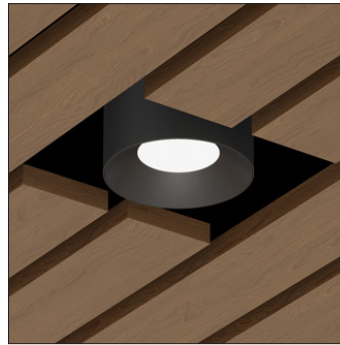
TEGULAR PANEL



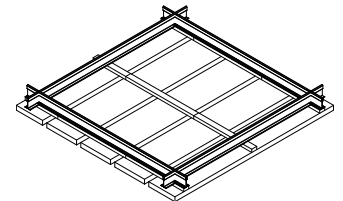
LINEAR TEGULAR PANEL



3.25"W LINEAR PANEL



5.25"W LINEAR PANEL

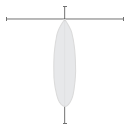


OPTICS

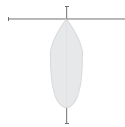
10D



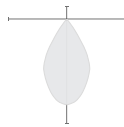
20D



40D



60D



PERFORMANCE

LUMEN OUTPUT	DELIVERED LUMENS	SYSTEM WATTS	EFFICACY (LPW)
1000	1000	9.7	103
1500	1500	14.9	101
2000	2000	20.9	96
2500	2500	27.0	93
3000	3000	34.8	86
3500	3500	41.9	83

BASED ON 95+ CRI, 3500K, 40D OPTIC WITH SOFTENING LENS
Lumen output and actual wattage may vary +/- 5%

STANDARD FINISHES



BLACK COLLAR FINISH
BLACK BEVELED INSERT

PROJECT:		TYPE:	
CATALOG#:		DATE:	QTY:

CAT. NO	LUMEN OUTPUT	CRI	COLOR TEMP	BEAM ANGLE	VOLTAGE
3G-DL45RA-SC	10 - 1000 LUMENS 15 - 1500 LUMENS 20 - 2000 LUMENS 25 - 2500 LUMENS 30 - 3000 LUMENS 35 - 3500 LUMENS <small>*All lumen outputs are delivered lumens at 95+ CRI</small>	H95 - 95+ CRI	27K - 2700K 30K - 3000K 35K - 3500K 40K - 4000K	10D - 10° ¹ 20D - 20° 40D - 40° 60D - 60°	UNV - 120/277V 120 - 120V 347 - 347V ²

DRIVER	COLLAR FINISH	BEVELED INSERT	HOUSING TYPE
DIM - 0-10V (100-1%) LE - PHASE DIM ³ <small>(TRIAC/ELV, 100-1%)</small> DO1 - 0-10V (100-0.1%) DALI - DALI (100-1%) ⁴ DMX - DMX (100-0%) ⁵ DHL2 - LUTRON HI-LUME LDE1 <small>(1% ECOSYSTEM)</small>	BK - BLACK WH - WHITE SV - SILVER	BI - BLACK WI - WHITE SI - SILVER	NC - NEW CONSTRUCTION HOUSING (CP RATED) <small>All housings ship with C-channel bar hangers</small>

OPTIONS
SF - SOFTENING LENS (SUPPLIED STANDARD) SB - SANDBLASTED LENS LS - LINEAR SPREAD LENS CP - CHICAGO PLENUM ⁶ EMR - REMOTE EMERGENCY BATTERY (REMOTE) ⁷ <small>*Softening lens not provided with 90D optic Maximum 1 optical accessory</small>

- 1 10D reflector available up to 1500lm
- 2 347 available in "DIM" 0-10V only (100-1%)
- 3 Phase dimming options available in 120V only
- 4 DALI-2 (Type 6) provided as standard. Please consult factory for DALI (Type 8) options
- 5 3000lm and 3500lm not available with DMX driver option
- 6 Chicago Plenum option available with Shallow Housing (2000lm max) and New Construction Housing
- 7 Supplied with enclosure with Emergency Battery and driver. Installed remotely by others. Not accessible through fixture aperture



Energy Star Listing available with 1500lm maximum
Driver options include "DIM" (0-10V) and "LE" (Phase dimming)



JA8 (Title 24) Listing available with 1500lm maximum
Driver options include "DIM" (0-10V) and "LE" (Phase dimming)

PERFORMANCE

LUMEN OUTPUT	DELIVERED LUMENS	SYSTEM WATTS	EFFICACY (LPW)
1000	1000	9.7	103
1500	1500	14.9	101
2000	2000	20.9	96
2500	2500	27.0	93
3000	3000	34.8	86
3500	3500	41.9	83

BASED ON 95+ CRI, 3500K, 40D OPTIC WITH SOFTENING LENS
Lumen output and actual wattage may vary +/- 5%

MULTIPLIERS

BEAM ANGLE	
10D	1.10
20D	0.98
40D	1.00
60D	0.97

COLOR TEMP	
2700K	0.98
3000K	1.00
3500K	1.00
4000K	1.02

HOUSING

New construction housing available
Maximum ceiling thickness of 1.5"
Housings rated for #12 AWG (4 in, 4 out), 90°C conductors and through branch wiring

BEVELED INSERT

Cast aluminum beveled insert with matte powder coated finish
4.5" aperture with regressed LED source for enhanced glare control

OPTICS

Proprietary anodized, aluminum reflectors
Beam angle available in 10°, 20°, 40° and 60°
Reflectors are field replaceable (10° reflector not interchangeable)
Softening lens supplied standard
0° - 40° lockable tilt and 360° lockable rotation (center beam optimization)

LED SYSTEM

Standard 95+ CRI
Color consistency <2 SDCM
Available in 27K, 30K, 35K, and 40K
L90 > 50,000 hours

ELECTRICAL

Standard 0-10V, constant current drivers
100-1% dimming range and >0.9 power factor
Standard 120/277V universal voltage with several driver options
Integral drivers are easily accessible through luminaire aperture

EMERGENCY

7W output for 90 minutes (+/- 700lm at 95+ CRI). Title 24 Certified Remote emergency battery (not accessible through fixture aperture)
Maximum remote mounting distance:
3000lm or below - 50ft (12AWG) or 25ft (14AWG)
Above 3000lm - 30ft (12AWG) or 20ft (14AWG)
Caution: Emergency Battery utilizes more than one power source and servicing should be performed by qualified personnel

MOUNTING

All housing options ship with adjustable C-Channel bar hangers
Designed for integration with various wood ceiling systems
Infill panel accessory available with ceiling manufacturer (supplied by others)

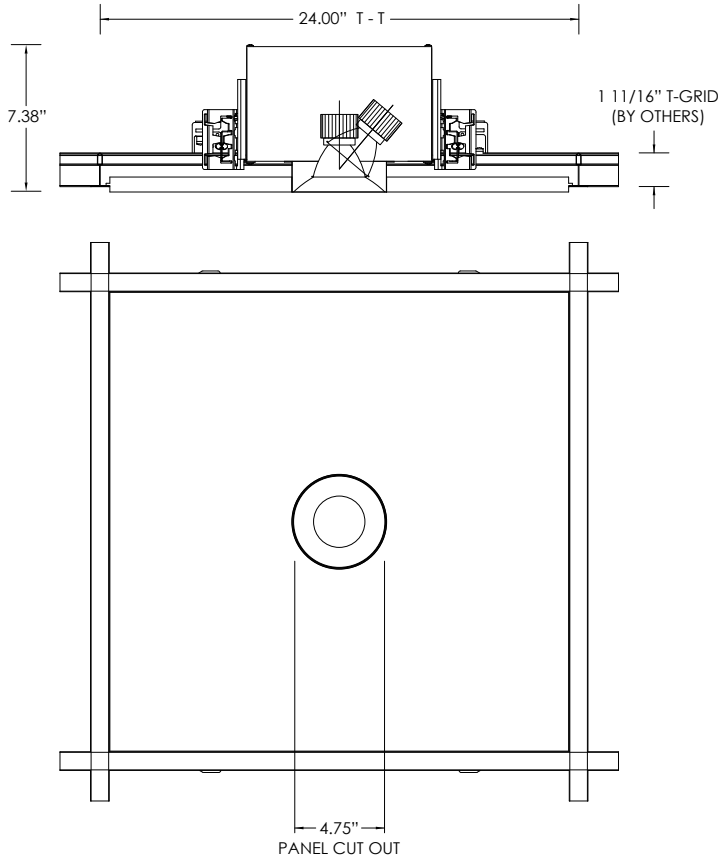
LISTING

ETL listed and conforms to UL1598 standard
Certified to CSA22.2 NO.250.0.
JA8 (Title 24) Listed
Rated for dry or damp locations

WARRANTY

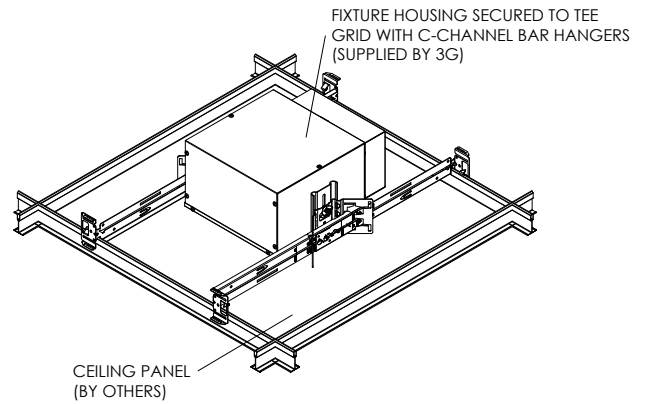
5 year limited warranty
LED system rated for operation in ambient environments up to 25°C

REGULAR PANEL (CEILING SYSTEM BY OTHERS)



COMPATIBLE CEILING SYSTEMS	
MANUFACTURER	PART NUMBER
ARMSTRONG	5404F01, 5404F02, 6484F01, 6484F02, 6485F01, 6485F02, 6486F01, 6486F02, 6487F01, 6487F02, 6510F01, 6510F02, 6511F01, 6511F02, 6512F01, 6512F02

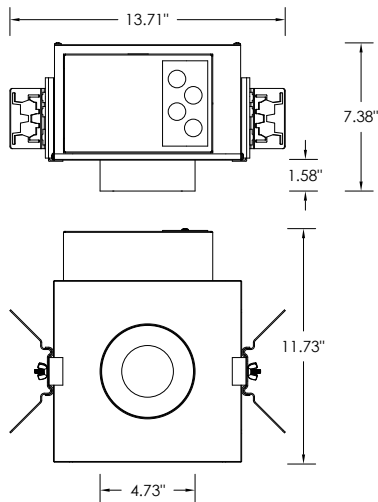
NC - NEW CONSTRUCTION HOUSING



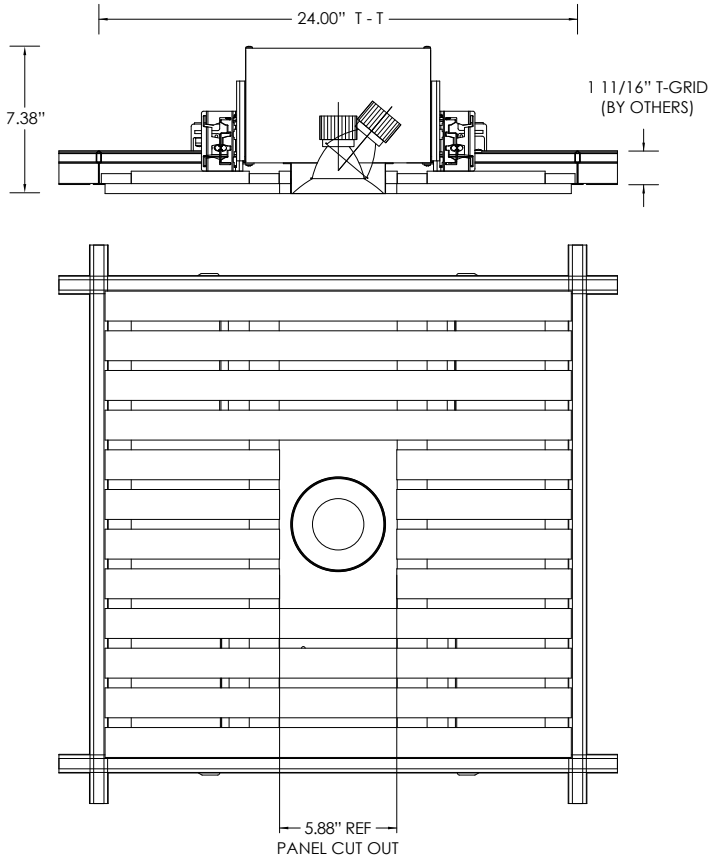
PLEASE NOTE: FIXTURE INSTALLATION MUST BE COORDINATED WITH CEILING PANEL INSTALLATION TO ENSURE FIXTURE ACCESSIBILITY CEILING SYSTEM AND 5/8" THICK INFILL PANEL (BY OTHERS)

HOUSING TYPES

NC - NEW CONSTRUCTION HOUSING (CP RATED)

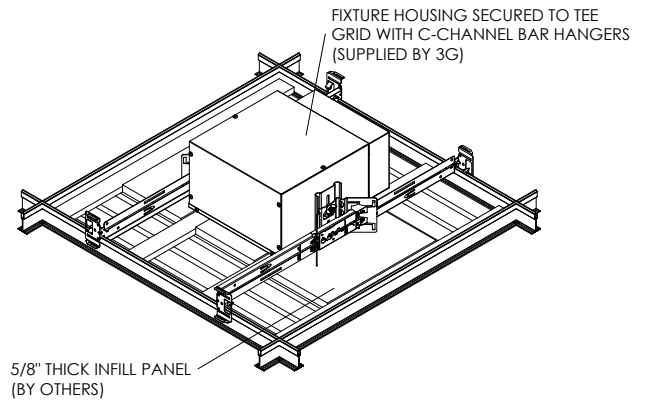


LINEAR TEGULAR (CEILING SYSTEM BY OTHERS)



COMPATIBLE CEILING SYSTEMS	
MANUFACTURER	COMPATIBLE PART NUMBER
ARMSTRONG	6733F51L2T9, 6733F51L4T9, 6733F51L2T5, 6733F51L4T5

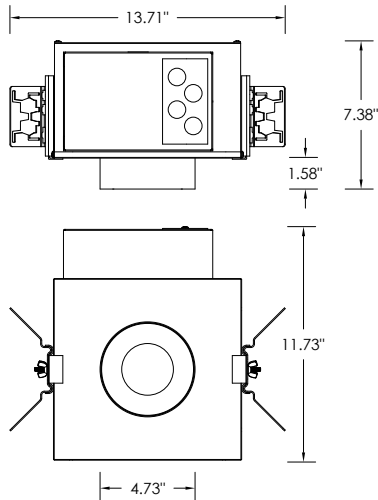
NC - NEW CONSTRUCTION HOUSING



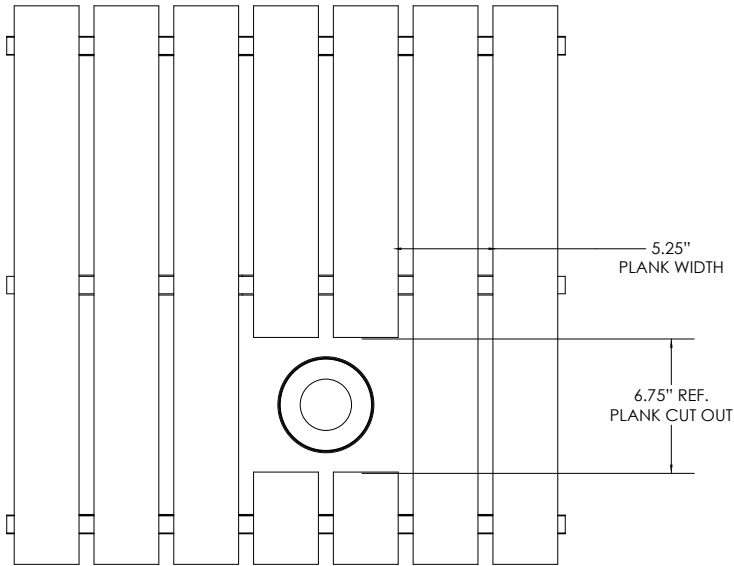
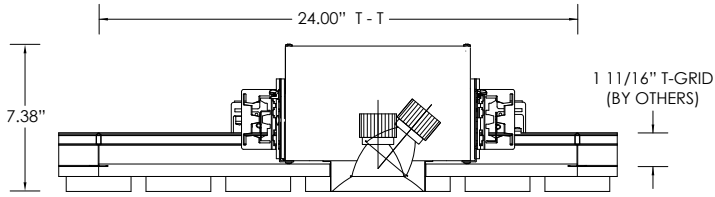
PLEASE NOTE: FIXTURE INSTALLATION MUST BE COORDINATED WITH CEILING PANEL INSTALLATION TO ENSURE FIXTURE ACCESSIBILITY CEILING SYSTEM AND 5/8" THICK INFILL PANEL (BY OTHERS)

HOUSING TYPES

NC - NEW CONSTRUCTION HOUSING (CP RATED)

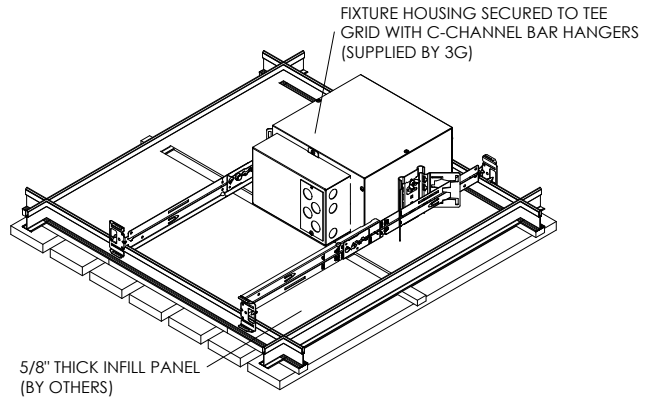


3.25" LINEAR PANEL (CEILING SYSTEM BY OTHERS)



COMPATIBLE CEILING SYSTEMS	
MANUFACTURER	COMPATIBLE PART NUMBER
ARMSTRONG	8176W1
9WOOD	2114-2, 2114-3

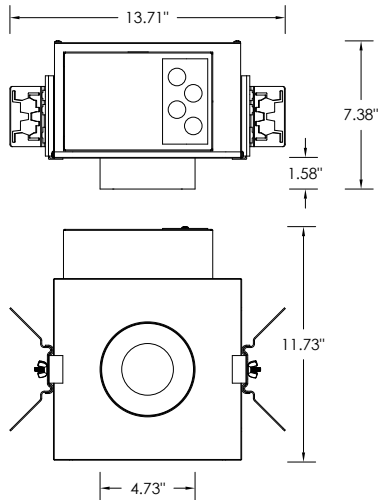
NC - NEW CONSTRUCTION HOUSING



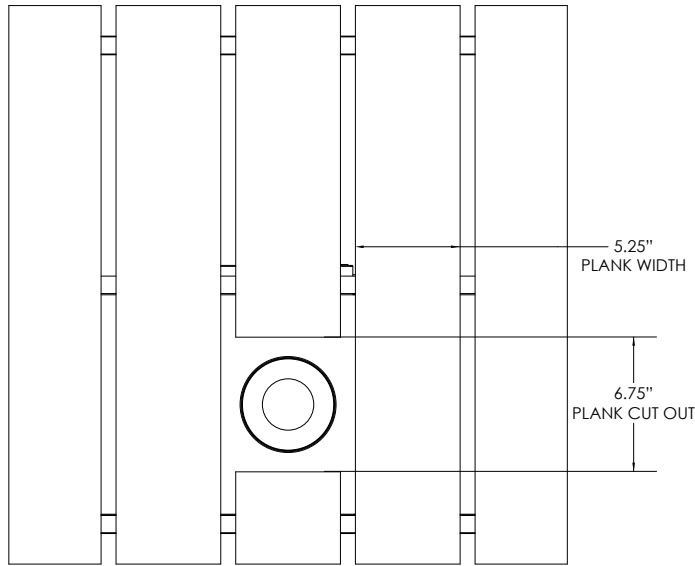
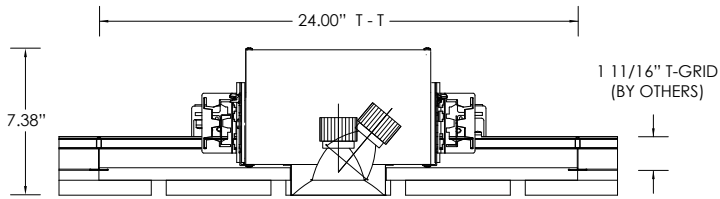
PLEASE NOTE: FIXTURE INSTALLATION MUST BE COORDINATED WITH CEILING PANEL INSTALLATION TO ENSURE FIXTURE ACCESSIBILITY CEILING SYSTEM AND 5/8" THICK INFILL PANEL (BY OTHERS)

HOUSING TYPES

NC - NEW CONSTRUCTION HOUSING (CP RATED)

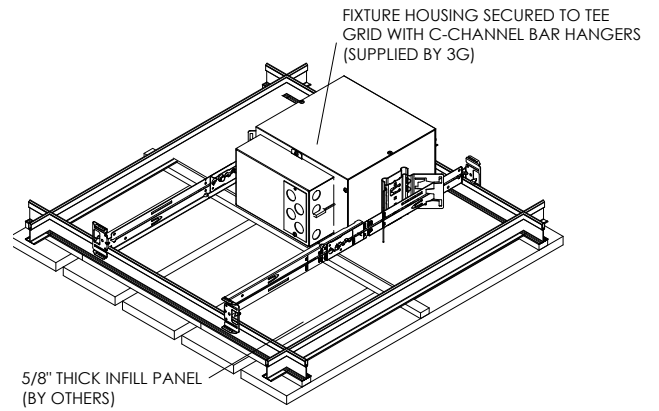


5.25" LINEAR PANEL (CEILING SYSTEM BY OTHERS)



COMPATIBLE CEILING SYSTEMS	
MANUFACTURER	COMPATIBLE PART NUMBER
ARMSTRONG	8177W1
9WOOD	2116-2

NC - NEW CONSTRUCTION HOUSING



PLEASE NOTE: FIXTURE INSTALLATION MUST BE COORDINATED WITH CEILING PANEL INSTALLATION TO ENSURE FIXTURE ACCESSIBILITY CEILING SYSTEM AND 5/8" THICK INFILL PANEL (BY OTHERS)

HOUSING TYPES

NC - NEW CONSTRUCTION HOUSING (CP RATED)

