

3G LIGHTING

3G-DL45RF-SC

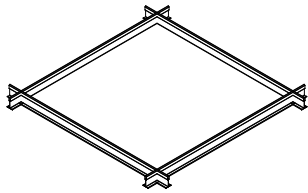
4.5" ROUND FIXED DOWNLIGHT
SPECIALTY CEILINGS

4.5" diameter, fixed downlight with upgraded performance
Designed for integration with various specialty ceilings
Standard 95+ CRI LED system with performance up to 122 LPW
Delivered lumen range up to 4000lm at 95+ CRI
Regressed LED source for enhanced glare control
10° to 90° beam angle options suitable for various applications
Energy Star and Title 24 JA8 certified with maximum 1500lm output
Companion to 3G's Cylinder product family

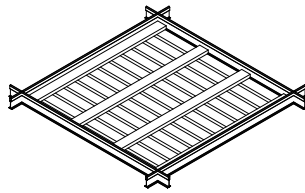
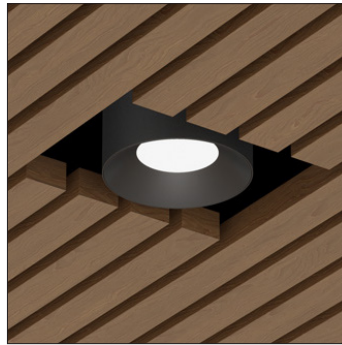


CEILING TYPES

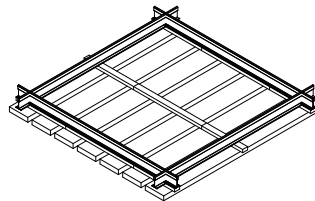
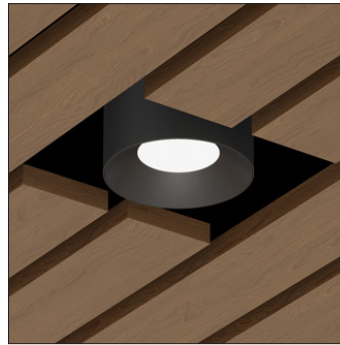
TEGULAR PANEL



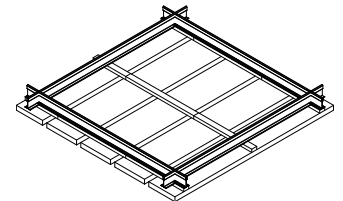
LINEAR TEGULAR PANEL



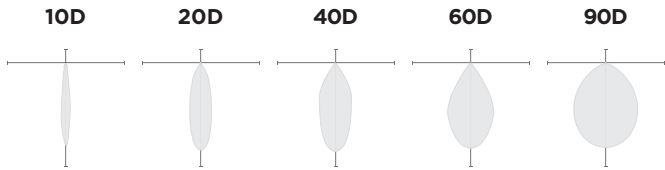
3.25"W LINEAR PANEL



5.25"W LINEAR PANEL



OPTICS



PERFORMANCE

LUMEN OUTPUT	DELIVERED LUMENS	SYSTEM WATTS	EFFICACY (LPW)
1000	1000	8.2	122
1500	1500	12.4	121
2000	2000	16.9	119
2500	2500	21.5	116
3000	3000	27.8	108
4000	4000	37.8	106

BASED ON 95+ CRI, 3500K, 20D OPTIC WITH SOFTENING LENS
Lumen output and actual wattage may vary +/- 5%

STANDARD FINISHES



BLACK COLLAR FINISH
BLACK BEVELED INSERT

PROJECT:		TYPE:	
CATALOG#:		DATE:	QTY:

CAT. NO	LUMEN OUTPUT	CRI	COLOR TEMP	BEAM ANGLE	VOLTAGE
3G-DL45RF-SC	10 - 1000 LUMENS 15 - 1500 LUMENS 20 - 2000 LUMENS 25 - 2500 LUMENS 30 - 3000 LUMENS 40 - 4000 LUMENS <small>*All lumen outputs are delivered lumens at 95+ CRI</small>	H95 - 95+ CRI	27K - 2700K 30K - 3000K 35K - 3500K 40K - 4000K	10D - 10° ¹ 20D - 20° 40D - 40° 60D - 60° 90D - 90° <small>*90D optic supplied with lens Not available with other lens options</small>	UNV - 120/277V 120 - 120V 347 - 347V ²

DRIVER	COLLAR FINISH	BEVELED INSERT	HOUSING TYPE
DIM - 0-10V (100-1%) LE - PHASE DIM ³ <small>(TRIAC/ELV, 100-1%)</small> DO1 - 0-10V (100-0.1%) DALI - DALI (100-1%) ⁴ DMX - DMX (100-0%) ⁵ DHL2 - LUTRON HI-LUME LDE1 <small>(1% ECOSYSTEM)</small>	BK - BLACK WH - WHITE SV - SILVER	BI - BLACK WI - WHITE SI - SILVER	SH - SHALLOW HOUSING ⁶ <small>(CP RATED)</small> NC - NEW CONSTRUCTION <small>HOUSING (CP RATED)</small> <small>All housings ship with C-channel bar hangers</small>

OPTIONS
SF - SOFTENING LENS (SUPPLIED STANDARD) SB - SANDBLASTED LENS LS - LINEAR SPREAD LENS CP - CHICAGO PLENUM ⁷ EMR - REMOTE EMERGENCY BATTERY (REMOTE) ⁸ <small>*Softening lens not provided with 90D optic Maximum 1 optical accessory</small>

- ¹ 10D reflector available up to 2000lm
- ² 347 available in "DIM" 0-10V only (100-1%)
- ³ Phase dimming options available in 120V only
- ⁴ DALI-2 (Type 6) provided as standard. Please consult factory for DALI (Type 8) options
- ⁵ 4000lm not available with DMX driver option
- ⁶ Shallow Housing available up to 2000lm
- ⁷ Chicago Plenum option available with Shallow Housing (2000lm max) and New Construction Housing
- ⁸ Supplied with enclosure with Emergency Battery and driver. Installed remotely by others. Not accessible through fixture aperture



Energy Star Listing available with 1500lm maximum
Driver options include "DIM" (0-10V) and "LE" (Phase dimming)



JA8 (Title 24) Listing available with 1500lm maximum
Driver options include "DIM" (0-10V) and "LE" (Phase dimming)

PERFORMANCE

LUMEN OUTPUT	DELIVERED LUMENS	SYSTEM WATTS	EFFICACY (LPW)
1000	1000	8.2	122
1500	1500	12.4	121
2000	2000	16.9	119
2500	2500	21.5	116
3000	3000	27.8	108
4000	4000	37.8	106

BASED ON 95+ CRI, 3500K, 20D OPTIC WITH SOFTENING LENS
Lumen output and actual wattage may vary +/- 5%

MULTIPLIERS

BEAM ANGLE	
10D	0.97
20D	1.00
40D	0.94
60D	0.95
90D	0.90

COLOR TEMP	
2700K	0.98
3000K	1.00
3500K	1.00
4000K	1.02

HOUSING

Shallow housing and new construction housing options available
Maximum ceiling thickness of 1.5". Consult factory for modifications
Housings rated for #12 AWG (4 in, 4 out), 90°C conductors and through branch wiring

BEVELED INSERT

Cast aluminum beveled insert with matte powder coated finish
4.5" aperture with regressed LED source for enhanced glare control

OPTICS

Proprietary anodized, aluminum reflectors
Beam angle available in 10°, 20°, 40°, 60° and 90°
Reflectors are field replaceable (10° reflector not interchangeable)
Softening lens supplied standard

LED SYSTEM

Standard 95+ CRI
Color consistency <2 SDCM
Available in 27K, 30K, 35K, and 40K
L90 > 50,000 hours

ELECTRICAL

Standard 0-10V, constant current drivers
100-1% dimming range and >0.9 power factor
Standard 120/277V universal voltage with several driver options
Integral drivers are easily accessible through luminaire aperture

EMERGENCY

7W output for 90 minutes (+/- 850lm at 95+ CRI). Title 24 Certified
Remote emergency battery (not accessible through fixture aperture)
Maximum remote mounting distance:
3000lm or below - 50ft (12AWG) or 25ft (14AWG)
Above 3000lm - 30ft (12AWG) or 20ft (14AWG)
Caution: Emergency Battery utilizes more than one power source and servicing should be performed by qualified personnel

MOUNTING

All housing options ship with adjustable C-Channel bar hangers
Designed for integration with various wood ceiling systems
Infill panel accessory available with ceiling manufacturer (supplied by others)

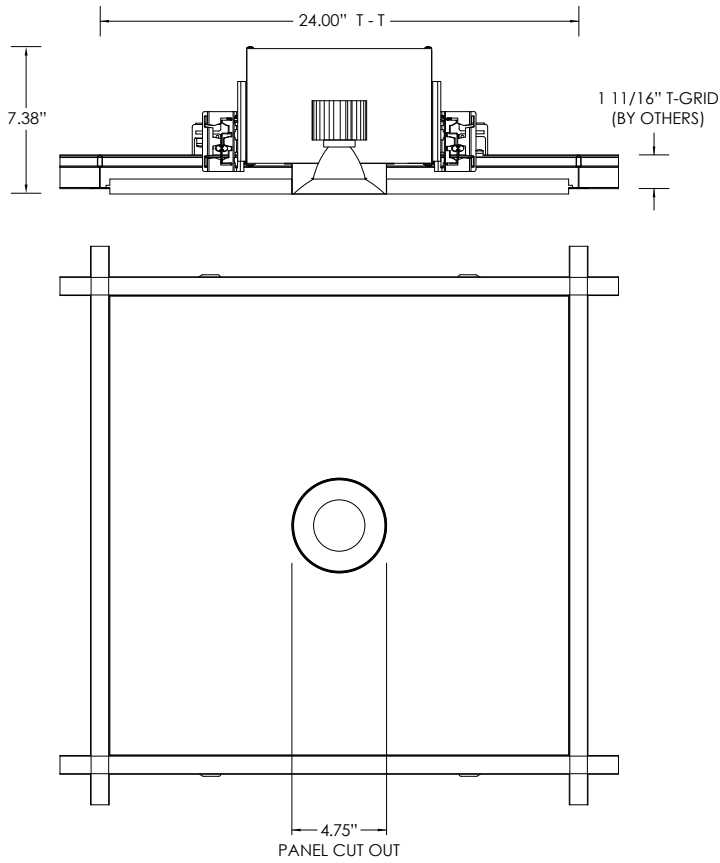
LISTING

ETL listed and conforms to UL1598 standard
Certified to CSA22.2 NO.250.0.
JA8 (Title 24) Listed
Rated for dry or damp locations

WARRANTY

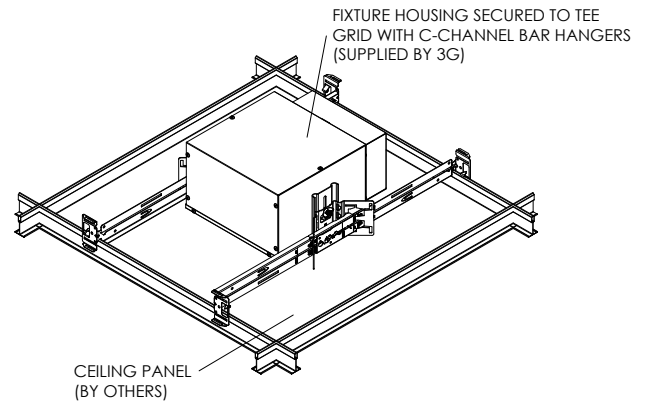
5 year limited warranty
LED system rated for operation in ambient environments up to 25°C

REGULAR PANEL (CEILING SYSTEM BY OTHERS)



COMPATIBLE CEILING SYSTEMS	
MANUFACTURER	PART NUMBER
ARMSTRONG	5404F01, 5404F02, 6484F01, 6484F02, 6485F01, 6485F02, 6486F01, 6486F02, 6487F01, 6487F02, 6510F01, 6510F02, 6511F01, 6511F02, 6512F01, 6512F02

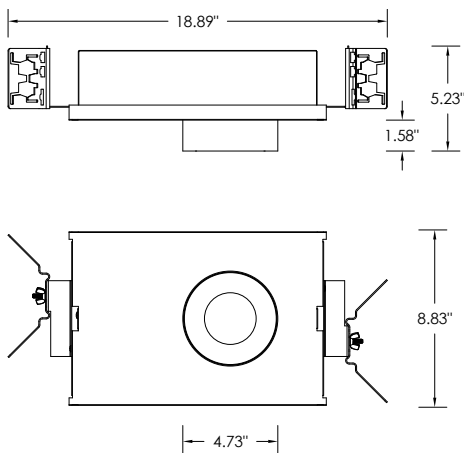
NC - NEW CONSTRUCTION HOUSING



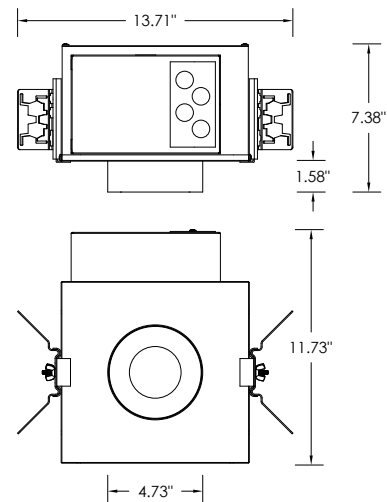
PLEASE NOTE: FIXTURE INSTALLATION MUST BE COORDINATED WITH CEILING PANEL INSTALLATION TO ENSURE FIXTURE ACCESSIBILITY CEILING SYSTEM AND 5/8" THICK INFILL PANEL (BY OTHERS)

HOUSING TYPES

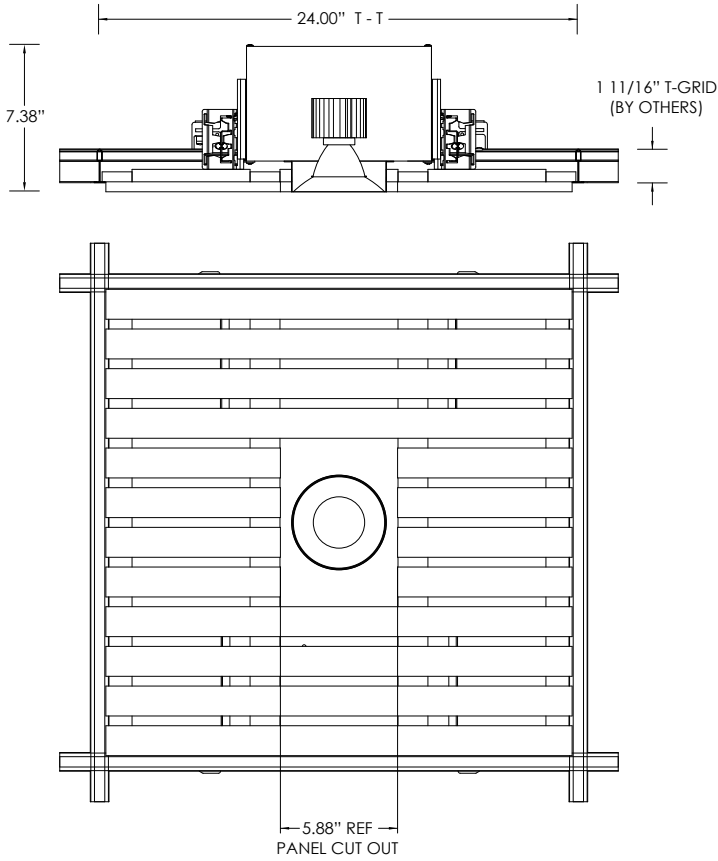
SH - SHALLOW HOUSING (CP RATED) (2000LM MAX)



NC - NEW CONSTRUCTION HOUSING (CP RATED)

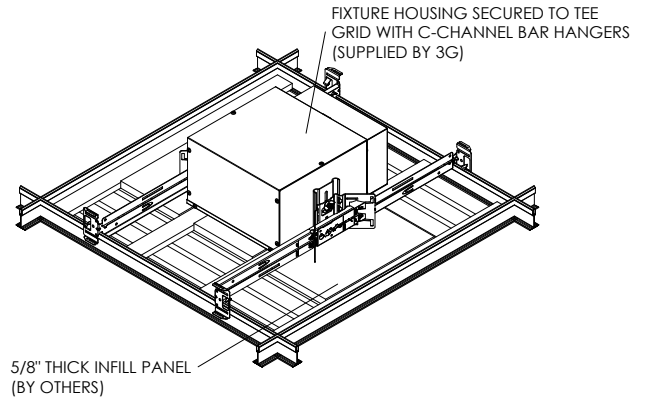


LINEAR TEGULAR (CEILING SYSTEM BY OTHERS)



COMPATIBLE CEILING SYSTEMS	
MANUFACTURER	COMPATIBLE PART NUMBER
ARMSTRONG	6733F51L2T9, 6733F51L4T9, 6733F51L2T5, 6733F51L4T5

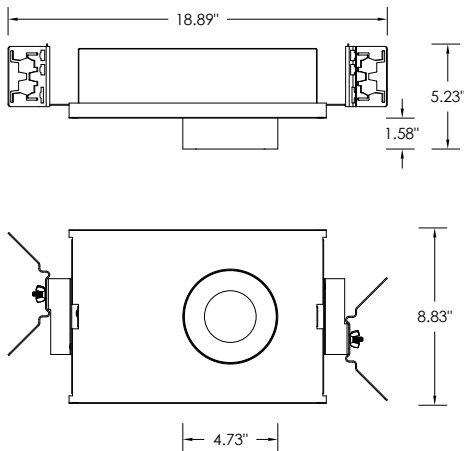
NC - NEW CONSTRUCTION HOUSING



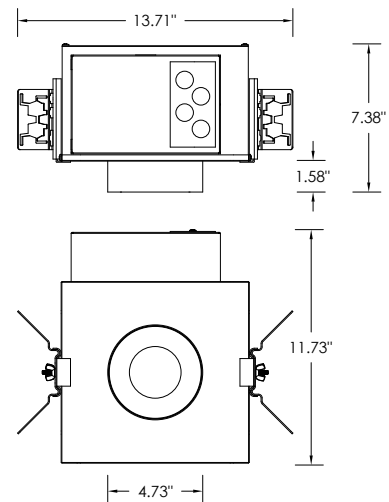
PLEASE NOTE: FIXTURE INSTALLATION MUST BE COORDINATED WITH CEILING PANEL INSTALLATION TO ENSURE FIXTURE ACCESSIBILITY CEILING SYSTEM AND 5/8" THICK INFILL PANEL (BY OTHERS)

HOUSING TYPES

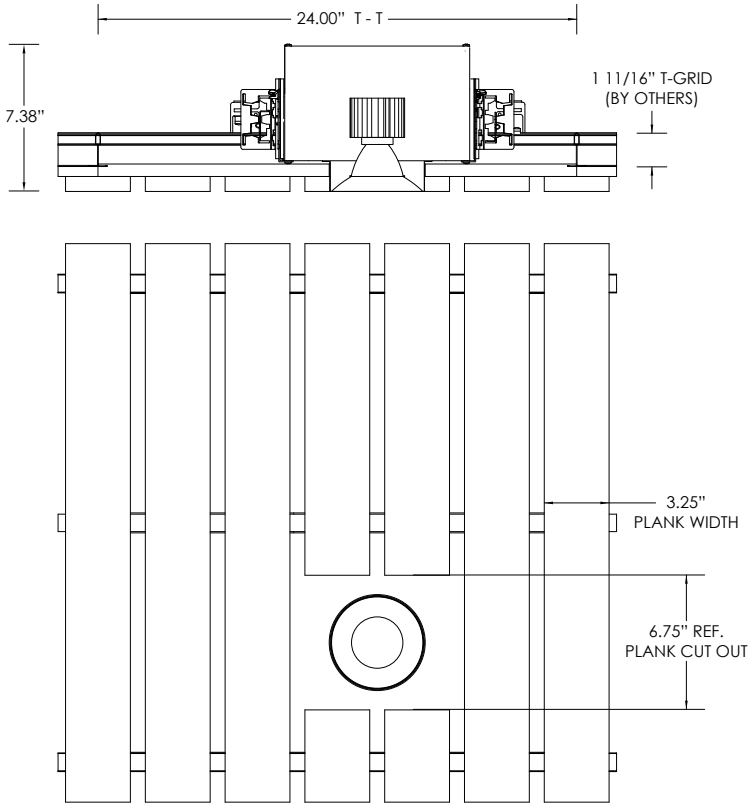
SH - SHALLOW HOUSING (CP RATED) (2000LM MAX)



NC - NEW CONSTRUCTION HOUSING (CP RATED)

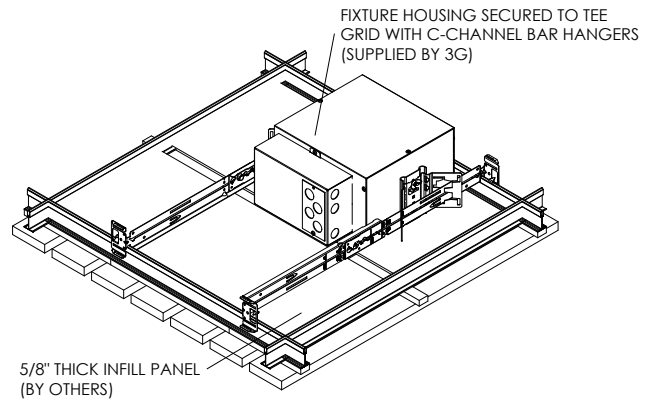


3.25" LINEAR PANEL (CEILING SYSTEM BY OTHERS)



COMPATIBLE CEILING SYSTEMS	
MANUFACTURER	COMPATIBLE PART NUMBER
ARMSTRONG	8176W1
9WOOD	2114-2, 2114-3

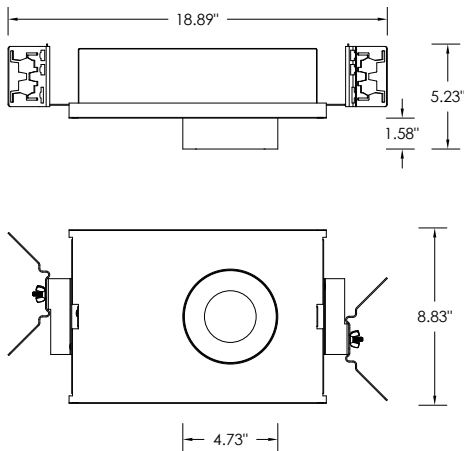
NC - NEW CONSTRUCTION HOUSING



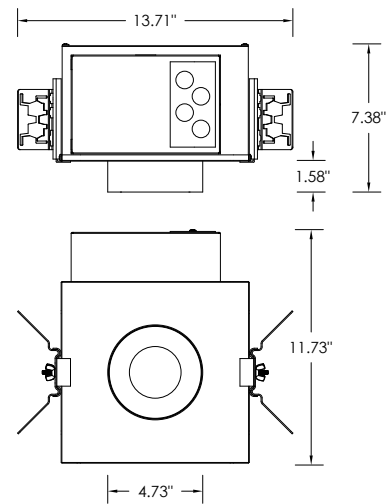
PLEASE NOTE: FIXTURE INSTALLATION MUST BE COORDINATED WITH CEILING PANEL INSTALLATION TO ENSURE FIXTURE ACCESSIBILITY CEILING SYSTEM AND 5/8" THICK INFILL PANEL (BY OTHERS)

HOUSING TYPES

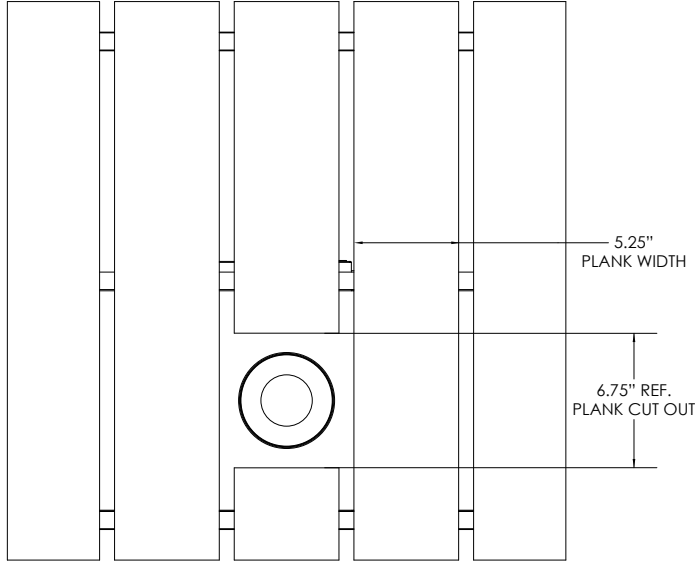
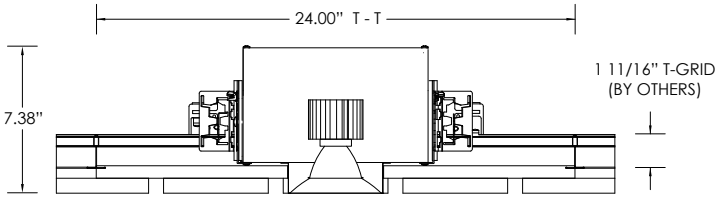
SH - SHALLOW HOUSING (CP RATED) (2000LM MAX)



NC - NEW CONSTRUCTION HOUSING (CP RATED)

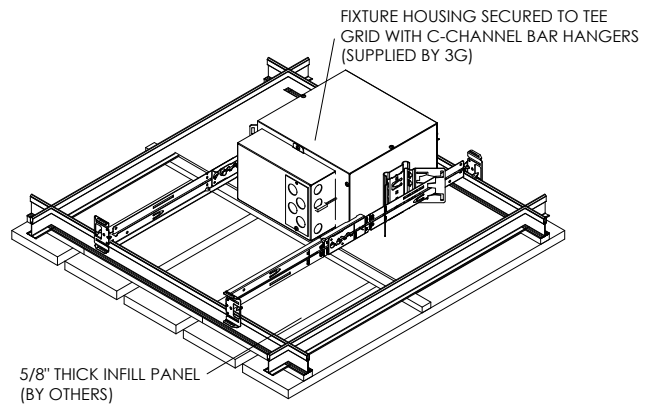


5.25" LINEAR PANEL (CEILING SYSTEM BY OTHERS)



COMPATIBLE CEILING SYSTEMS	
MANUFACTURER	COMPATIBLE PART NUMBER
ARMSTRONG	8177W1
9WOOD	2116-2

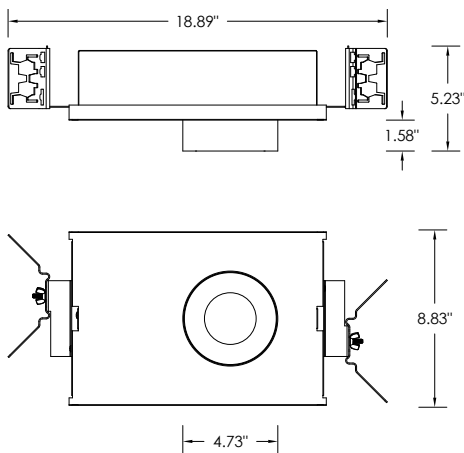
NC - NEW CONSTRUCTION HOUSING



PLEASE NOTE: FIXTURE INSTALLATION MUST BE COORDINATED WITH CEILING PANEL INSTALLATION TO ENSURE FIXTURE ACCESSIBILITY CEILING SYSTEM AND 5/8" THICK INFILL PANEL (BY OTHERS)

HOUSING TYPES

SH - SHALLOW HOUSING (CP RATED) (2000LM MAX)



NC - NEW CONSTRUCTION HOUSING (CP RATED)

