

3G LIGHTING

3G-DZ33R-SC

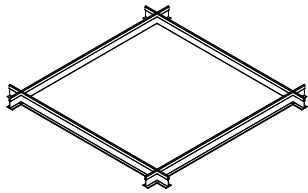
3.3" ROUND ZOIE DOWNLIGHT
SPECIALTY CEILINGS

3.3" diameter, high performance Zoie downlight
Designed for integration with various specialty ceilings
Regressed LED source provides maximum visual comfort, UGR <10
High gloss black or white louvers with proprietary optics
Delivered lumen range up to 3000lm with performance up to 148 LPW
20° to 60° beam angle options suitable for various applications
Companion to 3G's Zoie Cylinder product family

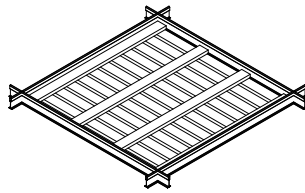


CEILING TYPES

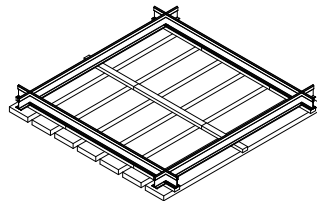
TEGULAR PANEL



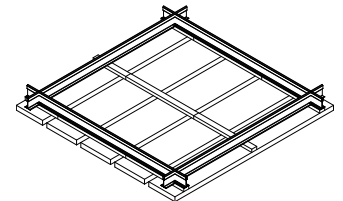
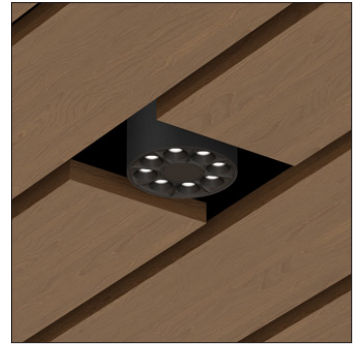
LINEAR TEGULAR PANEL



3.25"W LINEAR PANEL

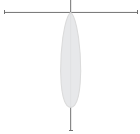


5.25"W LINEAR PANEL

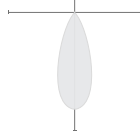


OPTICS

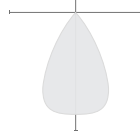
20D



40D



60D



PERFORMANCE

LUMEN OUTPUT	DELIVERED LUMENS	SYSTEM WATTS	EFFICACY (LPW)
1000	1000	8.4	122
1500	1500	13.2	117
2000	2000	18.4	112
2500	2500	25.4	101
3000	3000	32.8	94

BASED ON 80+ CRI, 30K, 40D OPTIC
Lumen output and actual wattage may vary +/- 5%

STANDARD FINISHES



BLACK COLLAR FINISH
BLACK LOUVER FINISH

PROJECT:		TYPE:	
CATALOG#:		DATE:	QTY:

CAT. NO	LUMEN OUTPUT	CRI	COLOR TEMP	BEAM ANGLE	VOLTAGE
3G-DZ33R-SC	10 - 1000 LUMENS 15 - 1500 LUMENS 20 - 2000 LUMENS 25 - 2500 LUMENS 30 - 3000 LUMENS ¹ <small>*All lumen outputs are delivered lumens</small>	S80 - 80+ CRI H90 - 90+ CRI	27K - 2700K ¹ 30K - 3000K 35K - 3500K 40K - 4000K ¹	20D - 20° 40D - 40° 60D - 60°	UNV - 120/277V 120 - 120V 347 - 347V ²

DRIVER	COLLAR FINISH	LOUVER FINISH	HOUSING TYPE
DIM - 0-10V (100-1%) D01 - 0-10V (100-0.1%) ³ DALI - DALI (100-1%) ³ DMX - DMX (100-0%) ³ DHL2 - LUTRON HI-LUME LDE1 (1% ECOSYSTEM)	BK - BLACK WH - WHITE	BLV - BLACK WLV - WHITE	SH - SHALLOW HOUSING ⁴ (CP RATED) NC - NEW CONSTRUCTION HOUSING (CP RATED) <small>All housings ship with C-channel bar hangers</small>

OPTIONS
CP - CHICAGO PLENUM ⁵ EMR - REMOTE EMERGENCY BATTERY (REMOTE) ⁶

¹ 3000lm not available in 90CRI. 2700K only available in 90CRI and 4000K only available in 80CRI
² 347 available in "DIM" 0-10V only (100-1%)
³ D01, DALI and DMX available up to 2500lm. DALI-2 (Type 6) provided as standard. Consult factory for DALI Type 8 option
⁴ Shallow Housing available up to 2000lm
⁵ Chicago Plenum option available with Shallow Housing (2000lm max) and New Construction Housing
⁶ Emergency battery installed remotely by others. Not accessible through the inside of the fixture

PERFORMANCE

LUMEN OUTPUT	DELIVERED LUMENS	SYSTEM WATTS	EFFICACY (LPW)
1000	1000	8.4	122
1500	1500	13.2	117
2000	2000	18.4	112
2500	2500	25.4	101
3000	3000	32.8	94

BASED ON 80+ CRI, 30K, 40D OPTIC
Lumen output and actual wattage may vary +/- 5%

MULTIPLIERS

COLOR TEMP	80+ CRI
2700K	N/A
3000K	1.00
3500K	0.97
4000K	1.16

COLOR TEMP	90+ CRI
2700K	0.77
3000K	0.86
3500K	0.86
4000K	N/A

BEAM ANGLE	
20D	1.05
40D	1.00
60D	0.94

HOUSING

Shallow housing and new construction housing options available
Maximum ceiling thickness of 1.5". Consult factory for modifications
Housings rated for #12 AWG (4 in, 4 out), 90°C conductors and through branch wiring

OPTICS

3.3" aperture with regressed LED source for maximum visual comfort
High gloss black or white louvers with proprietary optics and no glare
Beam angles available in 20°, 40° and 60°
UGR <10

LED SYSTEM

Standard 80+ and 90+ CRI
Color consistency <2 SDCM
Available in 27K, 30K, 35K, and 40K
L90 > 60,000 hours

ELECTRICAL

Standard 0-10V, constant current drivers
100-1% dimming range and >0.9 power factor
Standard 120/277V universal voltage with several driver options
Integral drivers are easily accessible through luminaire aperture

EMERGENCY

7W output for 90 minutes (+/- 850lm at 80+ CRI). Title 24 Certified
Remote emergency battery (not accessible through fixture aperture)
Maximum remote mounting distance:
3000lm or below - 50ft (12AWG) or 25ft (14AWG)
Above 3000lm - 30ft (12AWG) or 20ft (14AWG)
Caution: Emergency Battery utilizes more than one power source and servicing should be performed by qualified personnel

MOUNTING

All housing options ship with adjustable C-Channel bar hangers
Designed for integration with various wood ceiling systems
Infill panel accessory available with ceiling manufacturer (supplied by others)

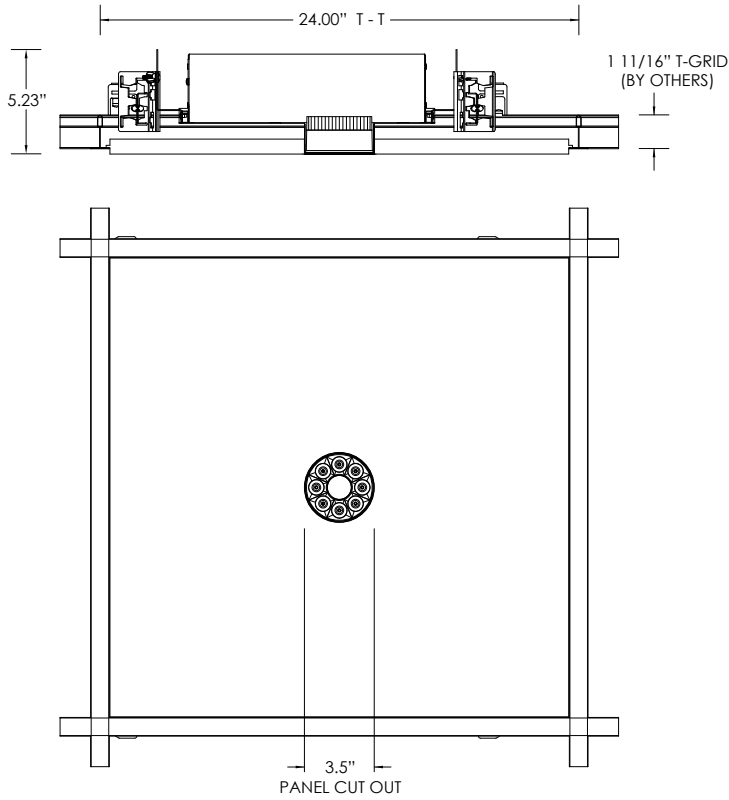
LISTING

ETL listed and conforms to UL1598 standard
Certified to CSA22.2 NO.250.0.
Rated for dry locations

WARRANTY

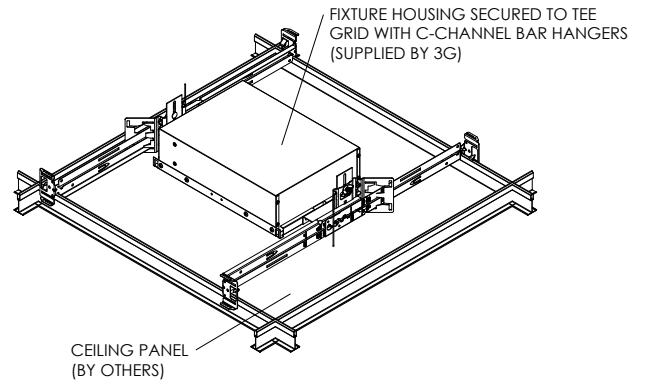
5 year limited warranty
LED system rated for operation in ambient environments up to 25°C

REGULAR PANEL (CEILING SYSTEM BY OTHERS)



COMPATIBLE CEILING SYSTEMS	
MANUFACTURER	PART NUMBER
ARMSTRONG	5404F01, 5404F02, 6484F01, 6484F02, 6485F01, 6485F02, 6486F01, 6486F02, 6487F01, 6487F02, 6510F01, 6510F02, 6511F01, 6511F02, 6512F01, 6512F02

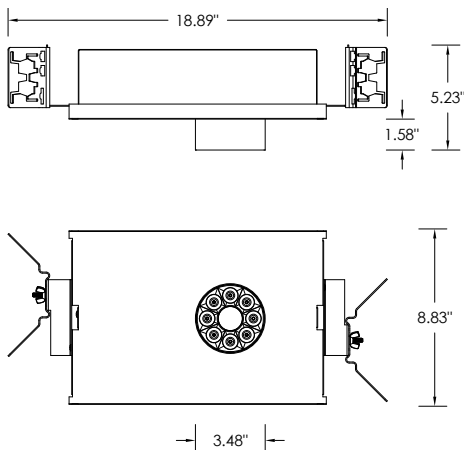
SH - SHALLOW HOUSING



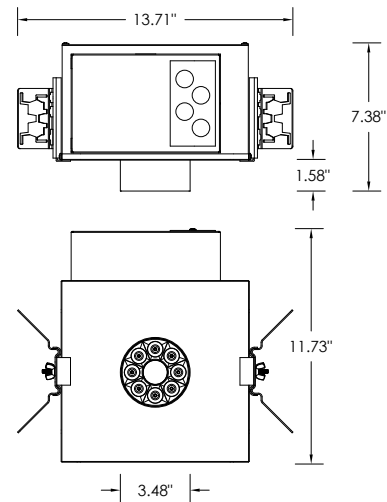
PLEASE NOTE: FIXTURE INSTALLATION MUST BE COORDINATED WITH CEILING PANEL INSTALLATION TO ENSURE FIXTURE ACCESSIBILITY CEILING SYSTEM AND 5/8" THICK INFILL PANEL (BY OTHERS)

HOUSING TYPES

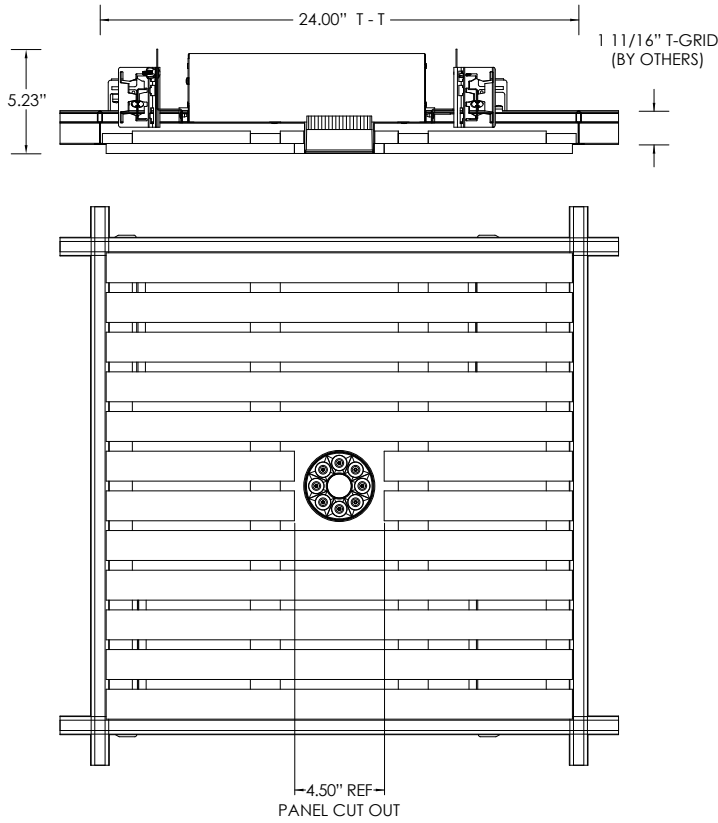
SH - SHALLOW HOUSING (CP RATED) (2000LM MAX)



NC - NEW CONSTRUCTION HOUSING (CP RATED)

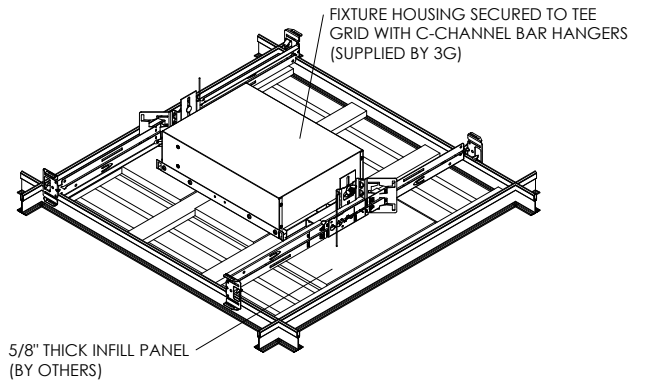


LINEAR TEGULAR (CEILING SYSTEM BY OTHERS)



COMPATIBLE CEILING SYSTEMS	
MANUFACTURER	COMPATIBLE PART NUMBER
ARMSTRONG	6733F51L2T9, 6733F51L4T9, 6733F51L2T5, 6733F51L4T5

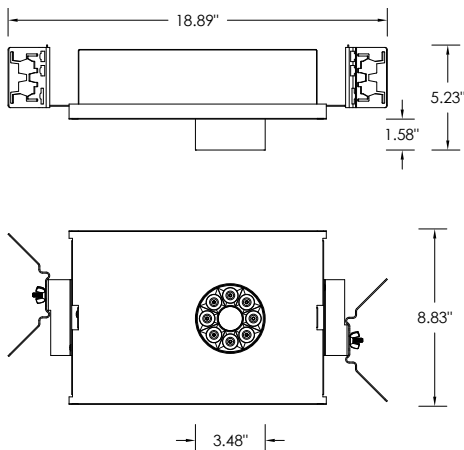
SH - SHALLOW HOUSING



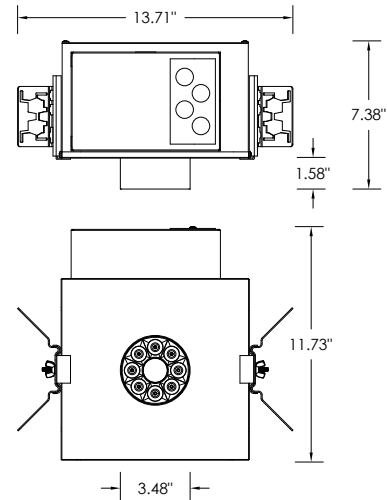
PLEASE NOTE: FIXTURE INSTALLATION MUST BE COORDINATED WITH CEILING PANEL INSTALLATION TO ENSURE FIXTURE ACCESSIBILITY CEILING SYSTEM AND 5/8" THICK INFILL PANEL (BY OTHERS)

HOUSING TYPES

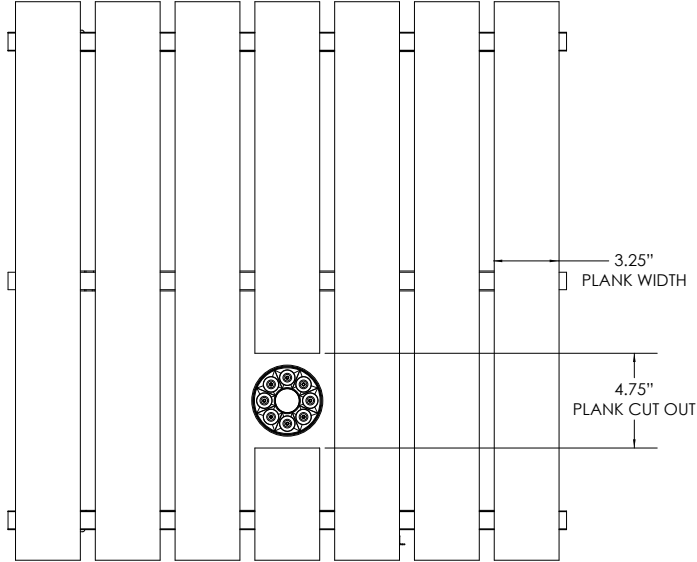
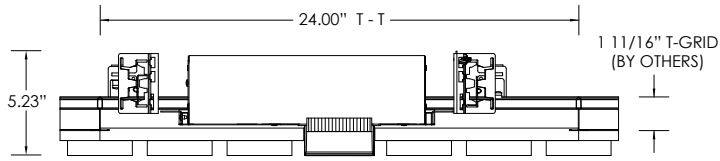
SH - SHALLOW HOUSING (CP RATED) (2000LM MAX)



NC - NEW CONSTRUCTION HOUSING (CP RATED)

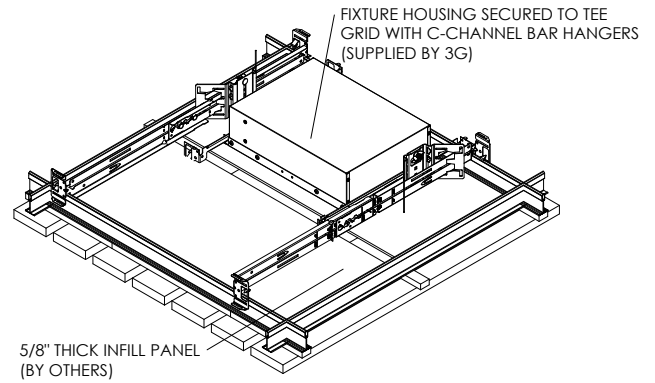


3.25" LINEAR PANEL (CEILING SYSTEM BY OTHERS)



COMPATIBLE CEILING SYSTEMS	
MANUFACTURER	COMPATIBLE PART NUMBER
ARMSTRONG	8176W1
9WOOD	2114-2, 2114-3

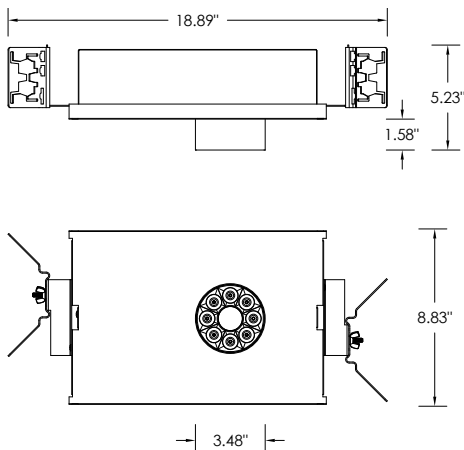
SH - SHALLOW HOUSING



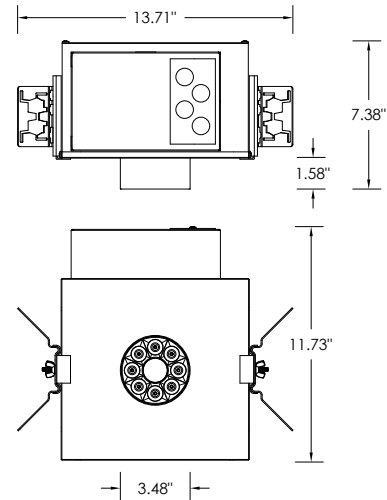
PLEASE NOTE: FIXTURE INSTALLATION MUST BE COORDINATED WITH CEILING PANEL INSTALLATION TO ENSURE FIXTURE ACCESSIBILITY CEILING SYSTEM AND 5/8" THICK INFILL PANEL (BY OTHERS)

HOUSING TYPES

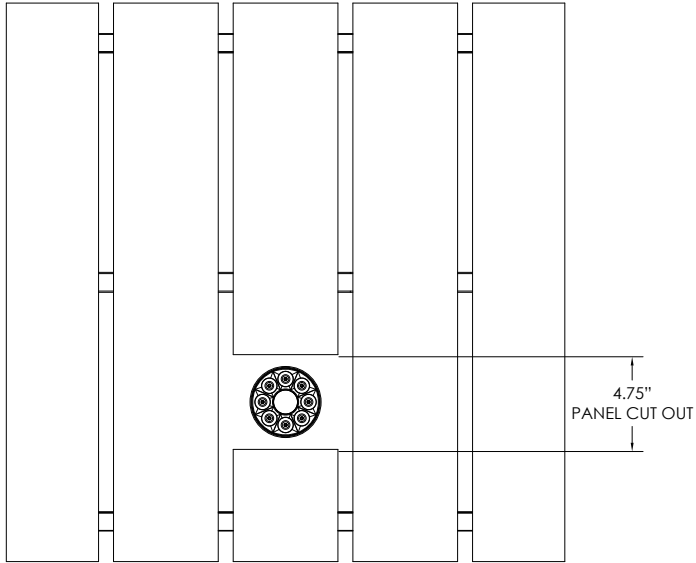
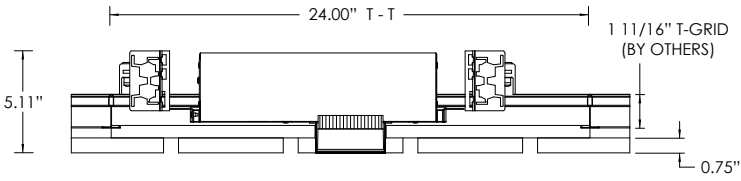
SH - SHALLOW HOUSING (CP RATED) (2000LM MAX)



NC - NEW CONSTRUCTION HOUSING (CP RATED)

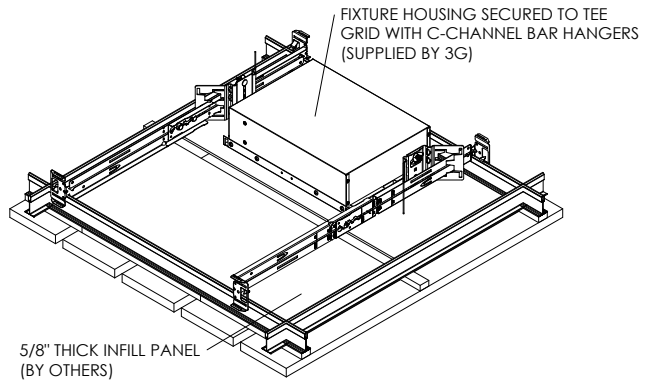


5.25" LINEAR PANEL (CEILING SYSTEM BY OTHERS)



COMPATIBLE CEILING SYSTEMS	
MANUFACTURER	COMPATIBLE PART NUMBER
ARMSTRONG	8177W1
9WOOD	2116-2

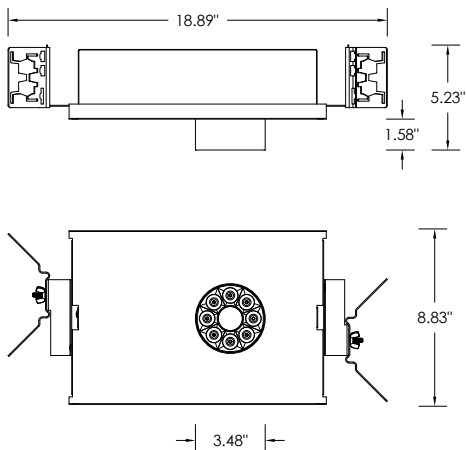
SH - SHALLOW HOUSING



PLEASE NOTE: FIXTURE INSTALLATION MUST BE COORDINATED WITH CEILING PANEL INSTALLATION TO ENSURE FIXTURE ACCESSIBILITY CEILING SYSTEM AND 5/8" THICK INFILL PANEL (BY OTHERS)

HOUSING TYPES

SH - SHALLOW HOUSING (CP RATED) (2000LM MAX)



NC - NEW CONSTRUCTION HOUSING (CP RATED)

