

# 3G LIGHTING

## 3G-DZ45R-SC

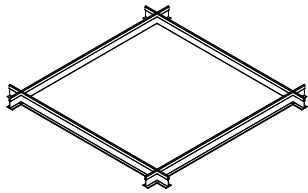
4.5" ROUND ZOIE DOWNLIGHT  
SPECIALTY CEILINGS

4.5" diameter, high performance Zoie downlight  
Designed for integration with various specialty ceilings  
Regressed LED source provides maximum visual comfort, UGR <10  
High gloss black or white louvers with proprietary optics  
Delivered lumen range up to 3500lm with performance up to 141 LPW  
20° to 60° beam angle options suitable for various applications  
Companion to 3G's Zoie Cylinder product family

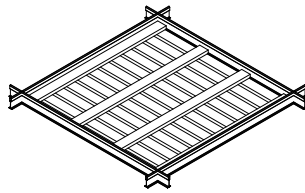
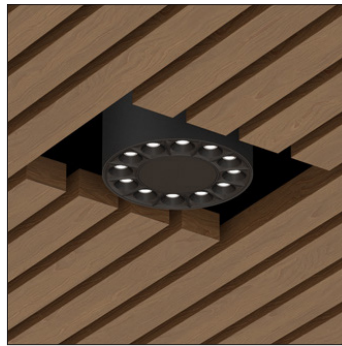


### CEILING TYPES

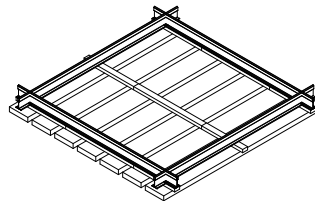
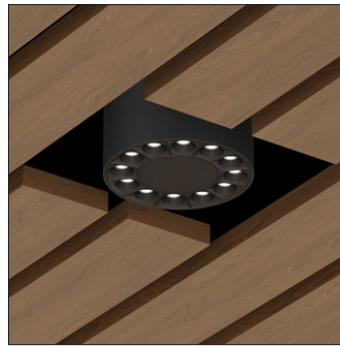
TEGULAR PANEL



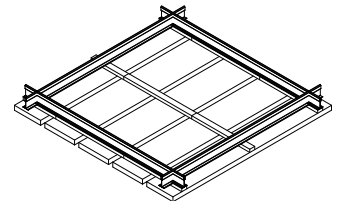
LINEAR TEGULAR PANEL



3.25"W LINEAR PANEL

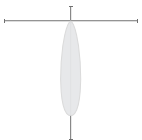


5.25"W LINEAR PANEL

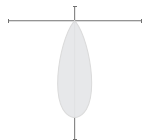


### OPTICS

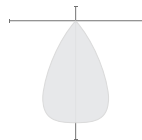
20D



40D



60D

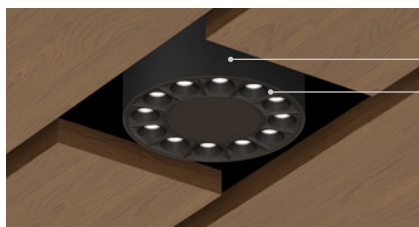


### PERFORMANCE

LUMEN OUTPUT	DELIVERED LUMENS	SYSTEM WATTS	EFFICACY (LPW)
1000	1000	8.0	125
1500	1500	12.4	121
2000	2000	16.8	119
2500	2500	21.5	116
3000	3000	28.2	107
3500	3500	35.3	99

BASED ON 80+ CRI, 30K, 40D OPTIC  
Lumen output and actual wattage may vary +/- 5%

### STANDARD FINISHES



BLACK COLLAR FINISH  
BLACK BEVELED INSERT

<b>PROJECT:</b>		<b>TYPE:</b>	
<b>CATALOG#:</b>		<b>DATE:</b>	<b>QTY:</b>

CAT. NO	LUMEN OUTPUT	CRI	COLOR TEMP	BEAM ANGLE	VOLTAGE
<b>3G-DZ45R-SC</b>	<b>10</b> - 1000 LUMENS	<b>S80</b> - 80+ CRI	<b>27K</b> - 2700K <sup>1</sup>	<b>20D</b> - 20°	<b>UNV</b> - 120/277V
	<b>15</b> - 1500 LUMENS	<b>H90</b> - 90+ CRI	<b>30K</b> - 3000K	<b>40D</b> - 40°	<b>120</b> - 120V
	<b>20</b> - 2000 LUMENS		<b>35K</b> - 3500K	<b>60D</b> - 60°	<b>347</b> - 347V <sup>2</sup>
	<b>25</b> - 2500 LUMENS		<b>40K</b> - 4000K <sup>1</sup>		
	<b>30</b> - 3000 LUMENS				
	<b>35</b> - 3500 LUMENS <sup>1</sup>				
	<small>*All lumen outputs are delivered lumens</small>			<small>*90D reflector supplied standard with lens</small>	

DRIVER	COLLAR FINISH	LOUVER FINISH	HOUSING TYPE
<b>DIM</b> - 0-10V (100-1%) <b>D01</b> - 0-10V (100-0.1%) <sup>3</sup> <b>DALI</b> - DALI (100-1%) <sup>3</sup> <b>DHL2</b> - LUTRON HI-LUME (1% ECOSYSTEM) <b>DMX</b> - DMX (100-0%) <sup>3</sup>	<b>BK</b> - BLACK <b>WH</b> - WHITE	<b>BLV</b> - BLACK <b>WLV</b> - WHITE	<b>SH</b> - SHALLOW HOUSING <sup>4</sup> (CP RATED) <b>NC</b> - NEW CONSTRUCTION HOUSING (CP RATED)
			<small>All housings ship with C-channel bar hangers</small>

OPTIONS
<b>CP</b> - CHICAGO PLENUM <sup>6</sup> <b>BH</b> - C-CHANNEL BAR HANGERS <b>EMR</b> - EMERGENCY BATTERY (REMOTE) <sup>7</sup>

<sup>1</sup> 3500lm not available in 90CRI. 2700K only available in 90CRI and 4000K only available in 80CRI  
<sup>2</sup> 347 available in "DIM" 0-10V only (100-1%)  
<sup>3</sup> D01, DALI and DMX available up to 2500lm. DALI-2 (Type 6) provided as standard. Consult factory for DALI Type 8 option  
<sup>4</sup> Shallow Housing available up to 2000lm  
<sup>5</sup> Chicago Plenum option available with Shallow Housing (2000lm max) and New Construction Housing  
<sup>6</sup> Emergency battery installed remotely by others. Not accessible through the inside of the fixture

**PERFORMANCE**

LUMEN OUTPUT	DELIVERED LUMENS	SYSTEM WATTS	EFFICACY (LPW)
1000	1000	8.0	125
1500	1500	12.4	121
2000	2000	16.8	119
2500	2500	21.5	116
3000	3000	28.2	107
3500	3500	35.3	99

BASED ON 80+ CRI, 30K, 40D OPTIC  
Lumen output and actual wattage may vary +/- 5%

**MULTIPLIERS**

COLOR TEMP	80+ CRI
2700K	N/A
3000K	1.00
3500K	0.94
4000K	1.11

COLOR TEMP	90+ CRI
2700K	0.83
3000K	0.83
3500K	0.88
4000K	N/A

BEAM ANGLE	
20D	0.98
40D	1.00
60D	1.02

**HOUSING**

Shallow housing and new construction housing options available  
Maximum ceiling thickness of 1.5". Consult factory for modifications  
Housings rated for #12 AWG (4 in, 4 out), 90°C conductors and through branch wiring

**OPTICS**

4.5" aperture with enhanced glare control for maximum visual comfort  
High gloss black or white louvers with proprietary optics  
Beam angles available in 20°, 40°, and 60°  
UGR <10

**LED SYSTEM**

Standard 80+ and 90+ CRI  
Color consistency <2 SDCM  
Available in 27K, 30K, 35K, and 40K  
L90 > 60,000 hours

**ELECTRICAL**

Standard 0-10V, constant current drivers  
100-1% dimming range and >0.9 power factor  
Standard 120/277V universal voltage with several driver options  
Integral drivers are easily accessible through luminaire aperture

**EMERGENCY**

7W output for 90 minutes (+/- 850lm at 80+ CRI). Title 24 Certified  
Remote emergency battery (not accessible through fixture aperture)  
Maximum remote mounting distance:  
3000lm or below - 50ft (12AWG) or 25ft (14AWG)  
Above 3000lm - 30ft (12AWG) or 20ft (14AWG)  
Caution: Emergency Battery utilizes more than one power source and servicing should be performed by qualified personnel

**MOUNTING**

All housing options ship with adjustable C-Channel bar hangers  
Designed for integration with various wood ceiling systems  
Infill panel accessory available with ceiling manufacturer (supplied by others)

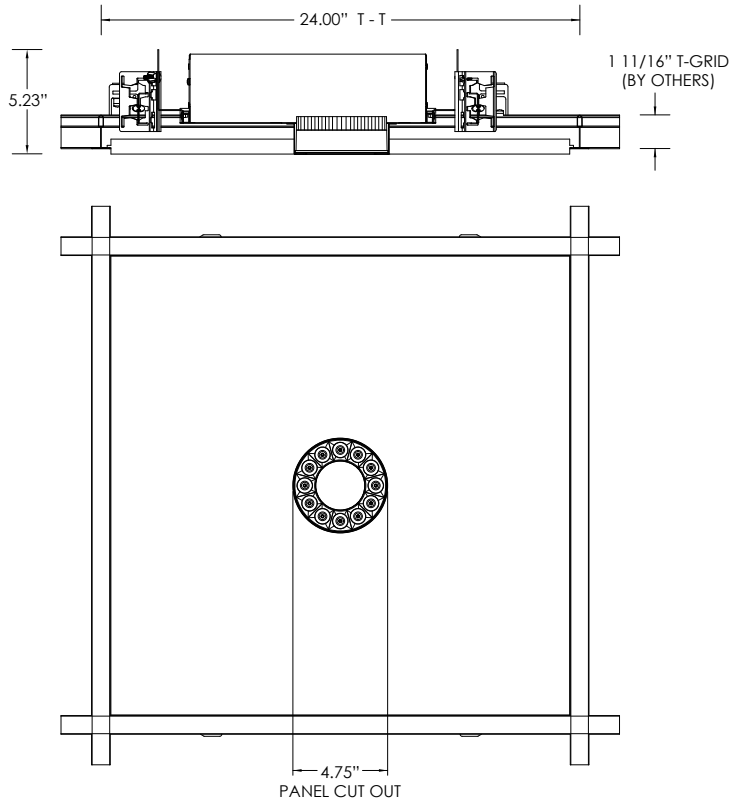
**LISTING**

ETL listed and conforms to UL1598 standard  
Certified to CSA22.2 NO.250.0.  
Rated for dry locations

**WARRANTY**

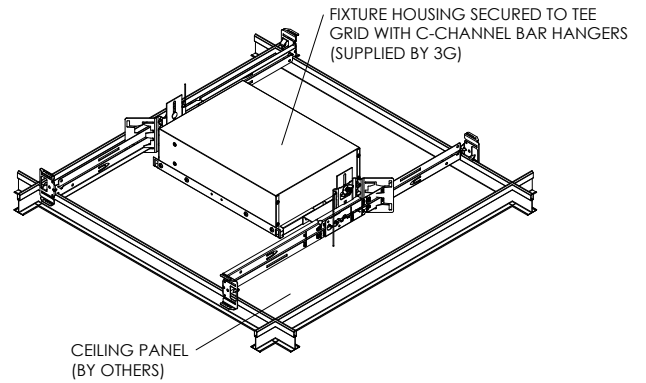
5 year limited warranty  
LED system rated for operation in ambient environments up to 25°C

REGULAR PANEL (CEILING SYSTEM BY OTHERS)



COMPATIBLE CEILING SYSTEMS	
MANUFACTURER	PART NUMBER
ARMSTRONG	5404F01, 5404F02, 6484F01, 6484F02, 6485F01, 6485F02, 6486F01, 6486F02, 6487F01, 6487F02, 6510F01, 6510F02, 6511F01, 6511F02, 6512F01, 6512F02

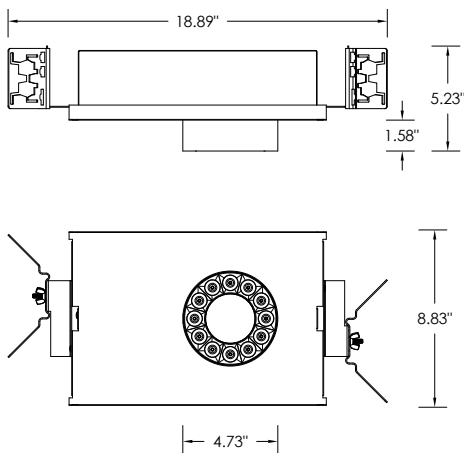
**NC - NEW CONSTRUCTION HOUSING**



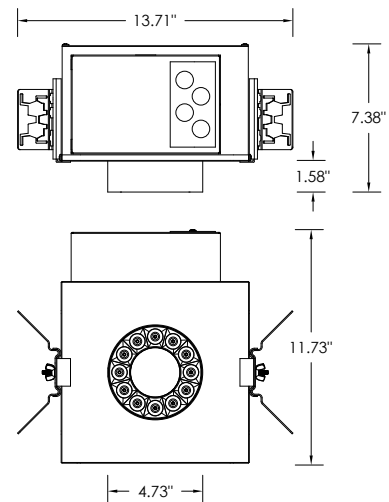
**PLEASE NOTE:** FIXTURE INSTALLATION MUST BE COORDINATED WITH CEILING PANEL INSTALLATION TO ENSURE FIXTURE ACCESSIBILITY CEILING SYSTEM AND 5/8" THICK INFILL PANEL (BY OTHERS)

**HOUSING TYPES**

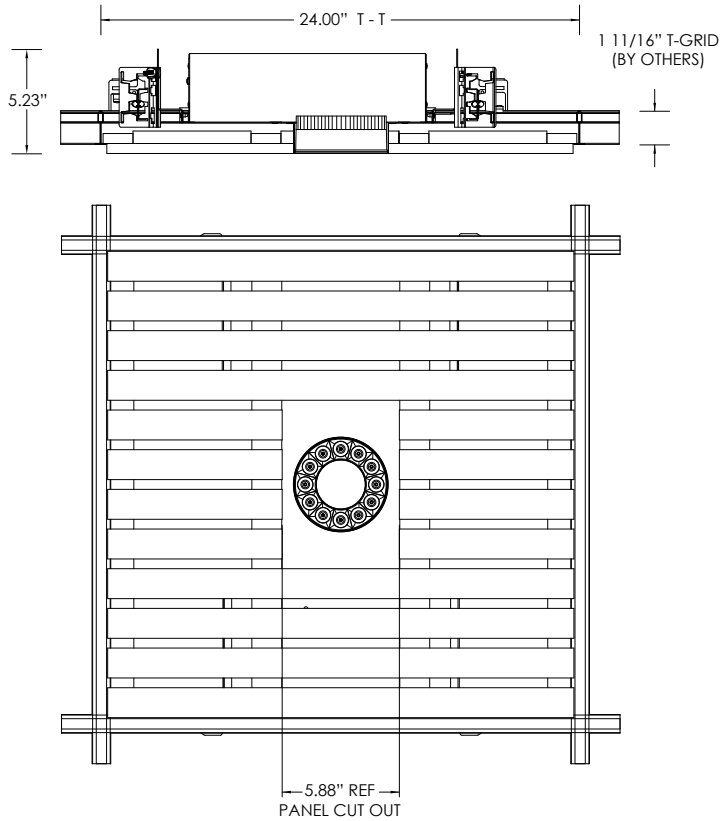
**SH - SHALLOW HOUSING (CP RATED) (2500LM MAX)**



**NC - NEW CONSTRUCTION HOUSING (CP RATED)**

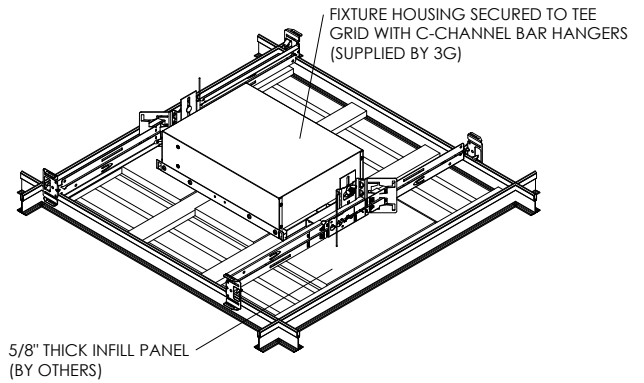


LINEAR TEGULAR (CEILING SYSTEM BY OTHERS)



COMPATIBLE CEILING SYSTEMS	
MANUFACTURER	COMPATIBLE PART NUMBER
ARMSTRONG	6733F51L2T9, 6733F51L4T9, 6733F51L2T5, 6733F51L4T5

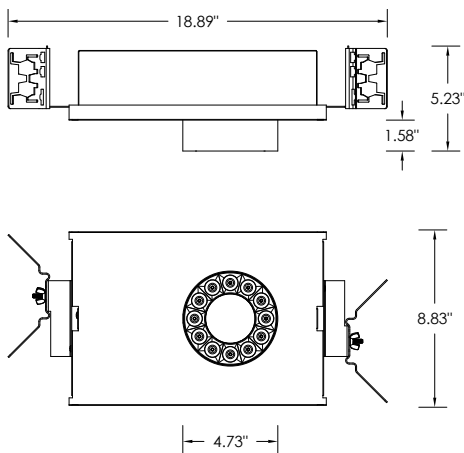
**NC - NEW CONSTRUCTION HOUSING**



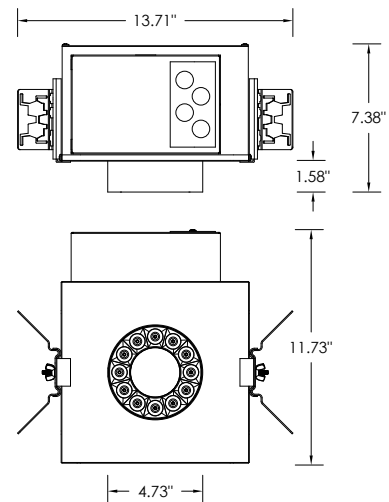
**PLEASE NOTE:** FIXTURE INSTALLATION MUST BE COORDINATED WITH CEILING PANEL INSTALLATION TO ENSURE FIXTURE ACCESSIBILITY CEILING SYSTEM AND 5/8" THICK INFILL PANEL (BY OTHERS)

**HOUSING TYPES**

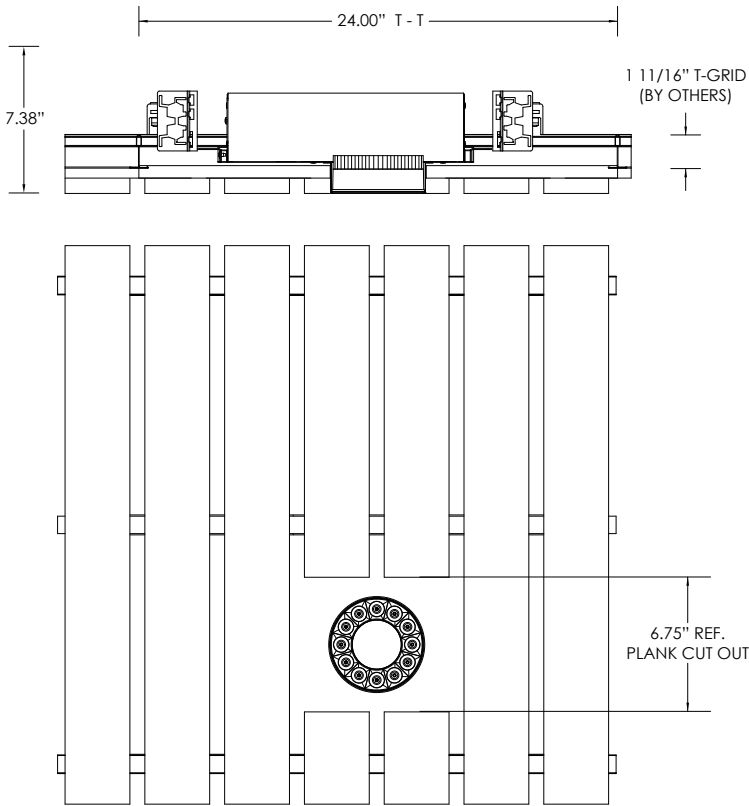
**SH - SHALLOW HOUSING (CP RATED) (2500LM MAX)**



**NC - NEW CONSTRUCTION HOUSING (CP RATED)**

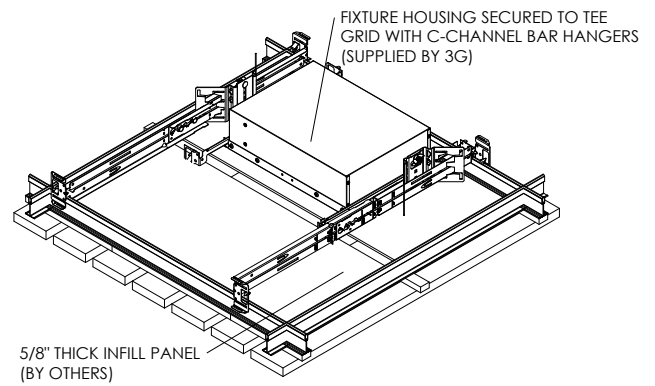


3.25" LINEAR PANEL (CEILING SYSTEM BY OTHERS)



COMPATIBLE CEILING SYSTEMS	
MANUFACTURER	COMPATIBLE PART NUMBER
ARMSTRONG	8176W1
9WOOD	2114-2, 2114-3

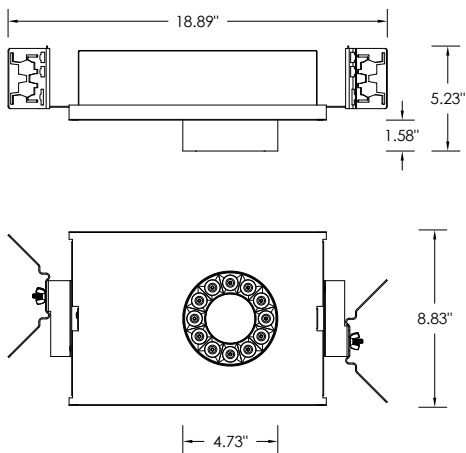
**NC - NEW CONSTRUCTION HOUSING**



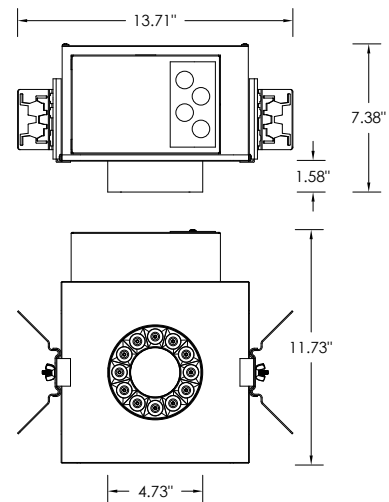
**PLEASE NOTE:** FIXTURE INSTALLATION MUST BE COORDINATED WITH CEILING PANEL INSTALLATION TO ENSURE FIXTURE ACCESSIBILITY CEILING SYSTEM AND 5/8" THICK INFILL PANEL (BY OTHERS)

**HOUSING TYPES**

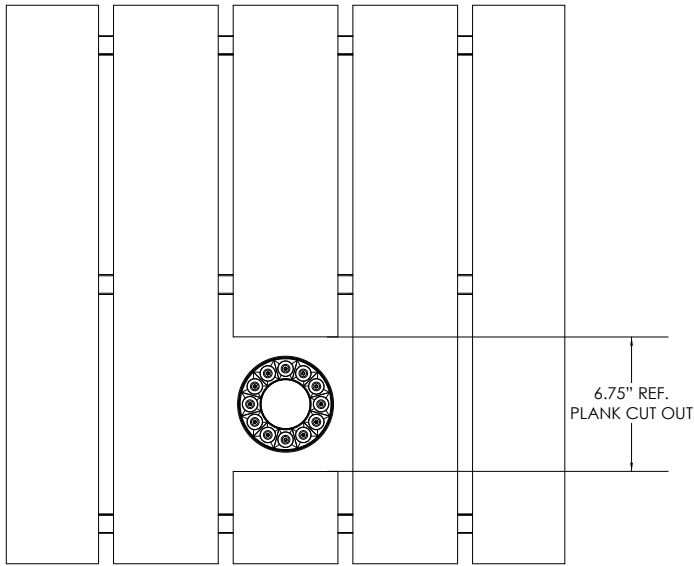
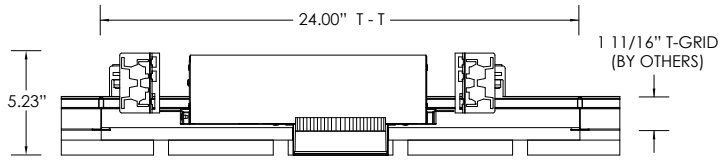
**SH - SHALLOW HOUSING (CP RATED) (2500LM MAX)**



**NC - NEW CONSTRUCTION HOUSING (CP RATED)**

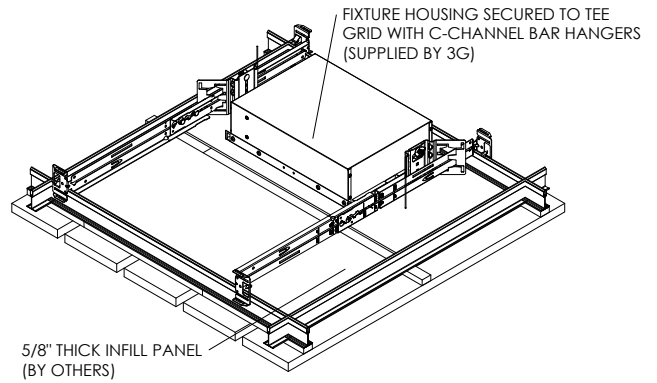


5.25" LINEAR PANEL (CEILING SYSTEM BY OTHERS)



COMPATIBLE CEILING SYSTEMS	
MANUFACTURER	COMPATIBLE PART NUMBER
ARMSTRONG	8177W1
9WOOD	2116-2

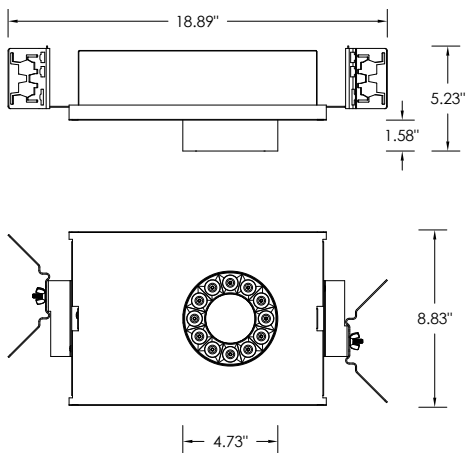
**NC - NEW CONSTRUCTION HOUSING**



**PLEASE NOTE:** FIXTURE INSTALLATION MUST BE COORDINATED WITH CEILING PANEL INSTALLATION TO ENSURE FIXTURE ACCESSIBILITY CEILING SYSTEM AND 5/8" THICK INFILL PANEL (BY OTHERS)

**HOUSING TYPES**

**SH - SHALLOW HOUSING (CP RATED) (2500LM MAX)**



**NC - NEW CONSTRUCTION HOUSING (CP RATED)**

