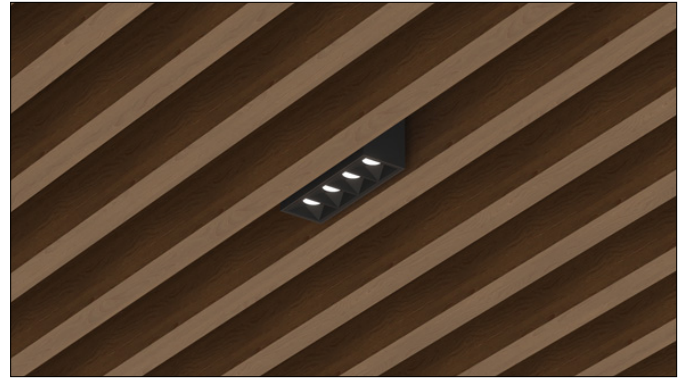


3G LIGHTING

3G-RMZ4-SC

4" ZOIE DOWNLIGHT
SPECIALTY CEILINGS

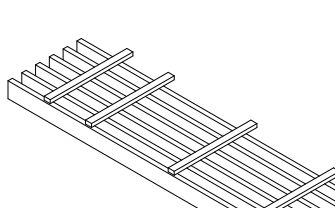
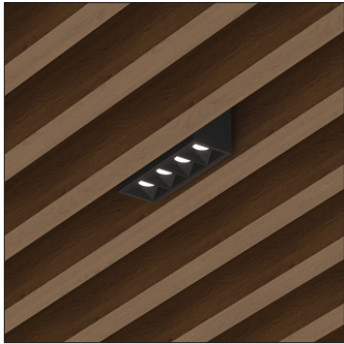
4" linear downlight designed for integration with specialty ceilings
 Regressed LED source with enhanced glare control and UGR <16
 Standard 90+ CRI LED system with performance up to 104 LPW
 Delivered lumen range up to 1000lm at 90+ CRI
 15° to 55° beam angle options suitable for various applications
 Matte black and matte white multi faceted louvers
 Companion to 3G's Zoie product family



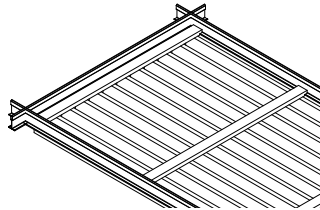
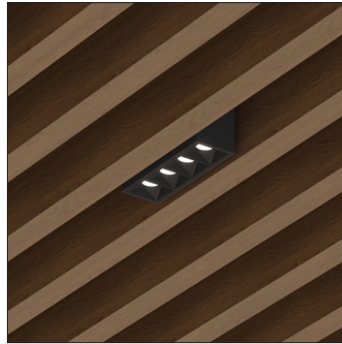
Compatible with various architectural ceiling systems

CEILING TYPES

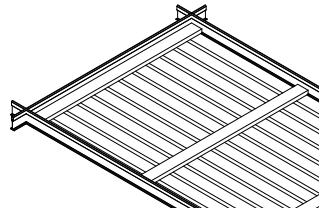
GRILLE



GRILLE TEGULAR

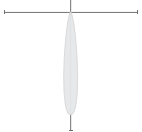


LINEAR TEGULAR

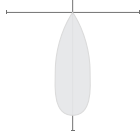


OPTICS

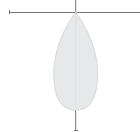
15D



35D



55D

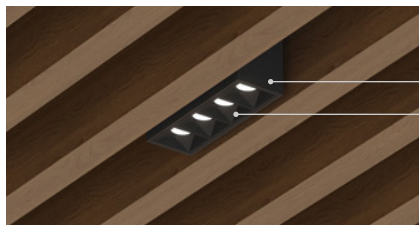


PERFORMANCE

LUMEN OUTPUT	DELIVERED LUMENS	SYSTEM WATTS	EFFICACY (LPW)
500	539	5.6	97
1000	1025	10.9	94

BASED ON 90+ CRI, 3500K AND 35D OPTIC
 Lumen output and actual wattage may vary +/- 5%

STANDARD FINISHES



BLACK COLLAR FINISH
 BLACK LOUVER FINISH

PROJECT:		TYPE:	
-----------------	--	--------------	--

CATALOG#:		DATE:		QTY:	
------------------	--	--------------	--	-------------	--

CAT. NO	LUMEN OUTPUT	CRI	COLOR TEMP	BEAM ANGLE	VOLTAGE
3G-RMZ4-SC	05 - 500 LUMENS 10 - 1000 LUMENS <small>*All lumen outputs are delivered lumens at 90+ CRI</small>	H90 - 90+ CRI	27K - 2700K 30K - 3000K 35K - 3500K 40K - 4000K	15D - 15° 35D - 35° 55D - 55°	UNV - 120/277V 120 - 120V 347 - 347V ¹

DRIVER	COLLAR FINISH	LOUVER FINISH	HOUSING TYPE
DIM - 0-10V (100-1%) LE - PHASE DIM (TRIAC/ELV, 100-1%) ² DO1 - 0-10V (100-0.1%) DALI - DALI (100-1%) ³ DMX - DMX (100-0%)	BK - BLACK WH - WHITE	BLV - BLACK WLV - WHITE	NC - NEW CONSTRUCTION HOUSING ⁴ SH - SHALLOW HOUSING ⁵

CEILING TYPE	OPTIONS
GR - GRILLE GTG - GRILLE TEGULAR LTG - LINEAR TEGULAR	CP - CHICAGO PLENUM ⁶

¹ 347 available in "DIM" 0-10V only (100-1%)
² Phase dimming options available in 120V only
³ DALI-2 (Type 6) provided as standard. Please consult factory for DALI (Type 8) options
⁴ New Construction Housing (NC) not available with Linear Tegular (LTG) ceiling types
⁵ Shallow Housing (SH) not available with Grille (GR) and Grille Tegular (GTG) ceiling types
⁶ Chicago Plenum option available with Shallow Housing (SH) and Linear Tegular (LTG) ceiling

PERFORMANCE

LUMEN OUTPUT	DELIVERED LUMENS	SYSTEM WATTS	EFFICACY (LPW)
500	539	5.6	97
1000	1025	10.9	94

BASED ON 90+ CRI, 3500K AND 35D OPTIC
Lumen output and actual wattage may vary +/- 5%

MULTIPLIERS

BEAM ANGLE	
15D	0.94
35D	1.00
55D	0.80

COLOR TEMP	
2700K	0.94
3000K	0.97
3500K	1.00
4000K	1.07

HOUSING

New construction and shallow housing options available
New construction housing features an adjustable fixture collar with sliding mechanism for in field adjustment. Maximum 5 1/4" wood slat height
Housings rated for #12 AWG (4 in, 4 out), 90°C conductors and through branch wiring

OPTICS

Proprietary multi-faceted reflectors with UGR <16
Beam angles available in 15°, 35°, and 55°
1.14" apertures with enhanced glare control
Matte black or matte white faceted louver finish

LED SYSTEM

Standard 90+ CRI, <2 SDCM
Available in 27K, 30K, 35K, and 40K
L90 > 60,000 hours

ELECTRICAL

Standard 0-10V, constant current drivers
100-1% dimming range and >0.9 power factor
Integral drivers are located within fixture housing
Accessible from above ceiling only with new construction housing option
Accessible through fixture aperture with shallow housing option

MOUNTING

All housings ship with adjustable C-Channel bar hangers
Designed for integration with wood slat ceiling systems (see drawings)
Adjustable fixture collar in new construction housing for in field adjustment
Infill panel accessory available with ceiling manufacturer (supplied by others)

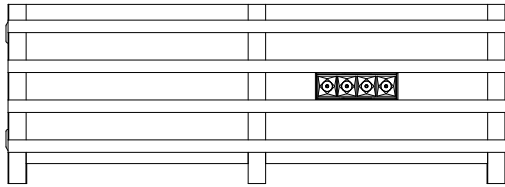
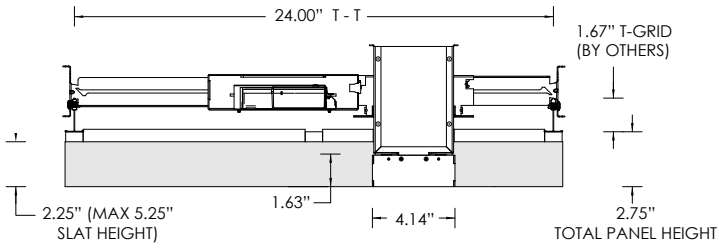
LISTING

ETL listed and conforms to UL1598 standard
Certified to CSA22.2 NO.250.0.
Rated for dry or damp locations

WARRANTY

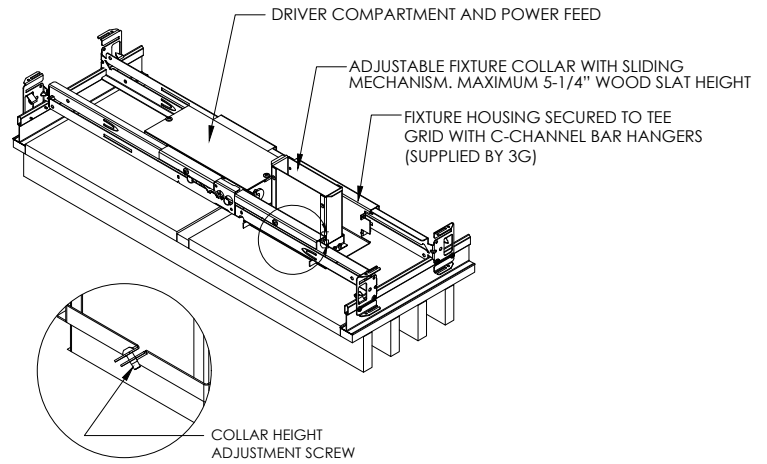
5 year limited warranty
LED system rated for operation in ambient environments up to 25°C

GR - GRILLE (CEILING SYSTEM BY OTHERS)



COMPATIBLE CEILING SYSTEMS	
MANUFACTURER	COMPATIBLE PART NUMBER
ARMSTRONG	6323L_S03 (04, 06, 07, 08, 10, 11, 12, 13), 6324L_S02 (03, 04, 06, 07, 08, 10, 11), 6325L_S02 (06), 6333L_S14 (15, 16, 17), 6334L_S14 (15, 16, 17), 6335L_S14 (15, 16, 17), 7091, 7092, 7093, 7094, 7095, 7096, 7097, 7098, 7099, 7265
9WOOD	2116-2

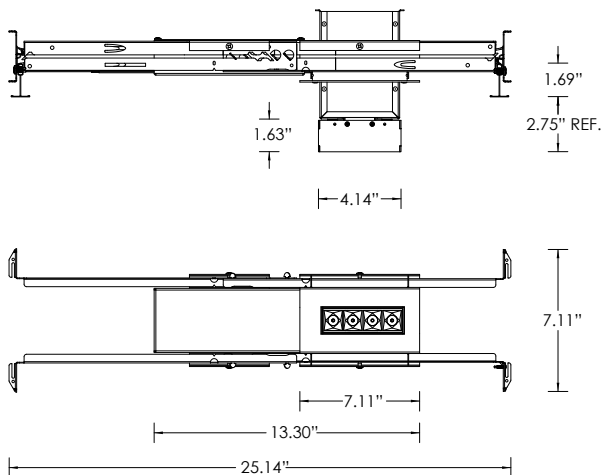
NC - NEW CONSTRUCTION HOUSING



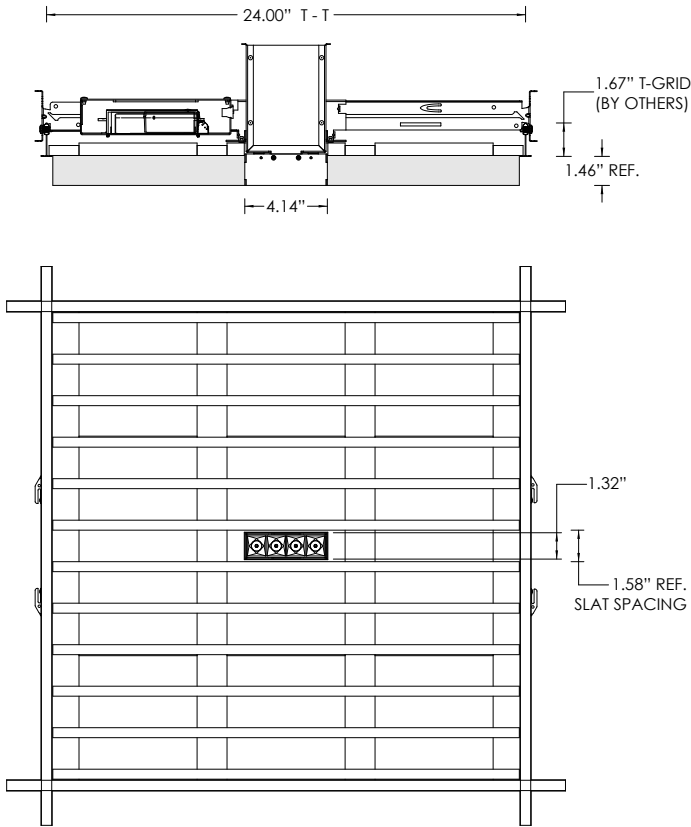
PLEASE NOTE: FIXTURE INSTALLATION MUST BE COORDINATED WITH CEILING PANEL INSTALLATION TO ENSURE FIXTURE ACCESSIBILITY CEILING SYSTEM AND 5/8" THICK INFILL PANEL (BY OTHERS)

HOUSING TYPES

NC - NEW CONSTRUCTION HOUSING

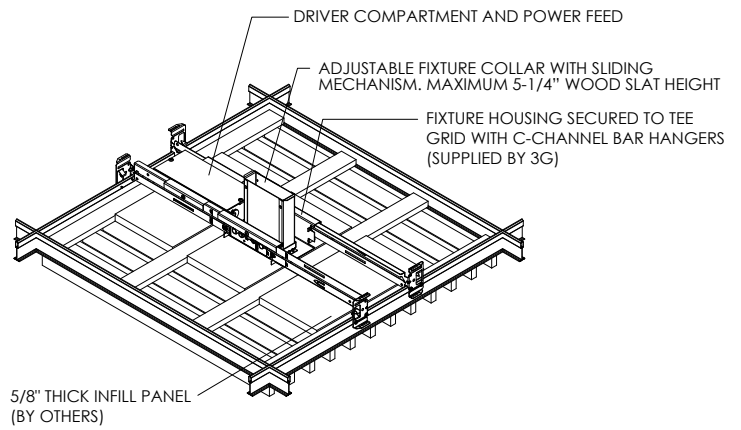


GTG - GRILLE TEGULAR (CEILING SYSTEM BY OTHERS)



COMPATIBLE CEILING SYSTEMS	
MANUFACTURER	COMPATIBLE PART NUMBER
ARMSTRONG	6723F51L4T5, 6723F51L4T9
9WOOD	2116-2

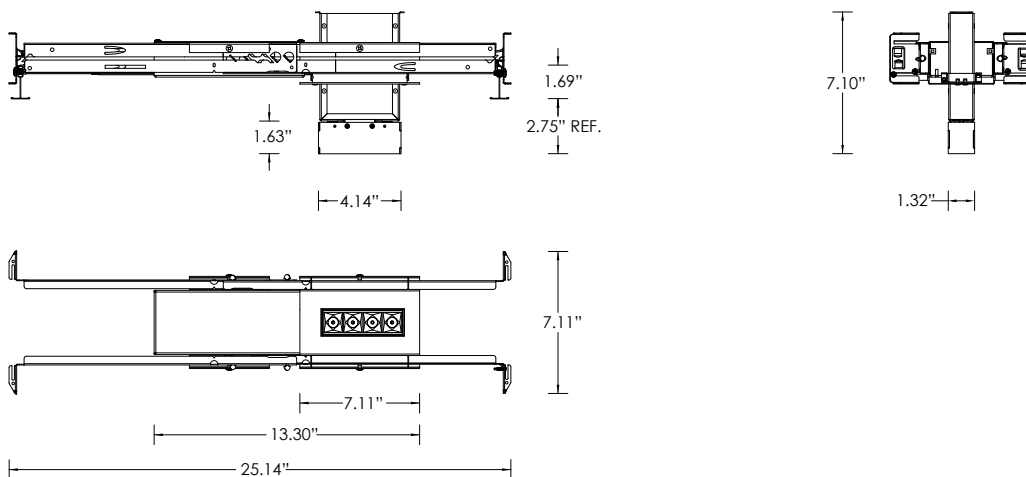
NC - NEW CONSTRUCTION HOUSING



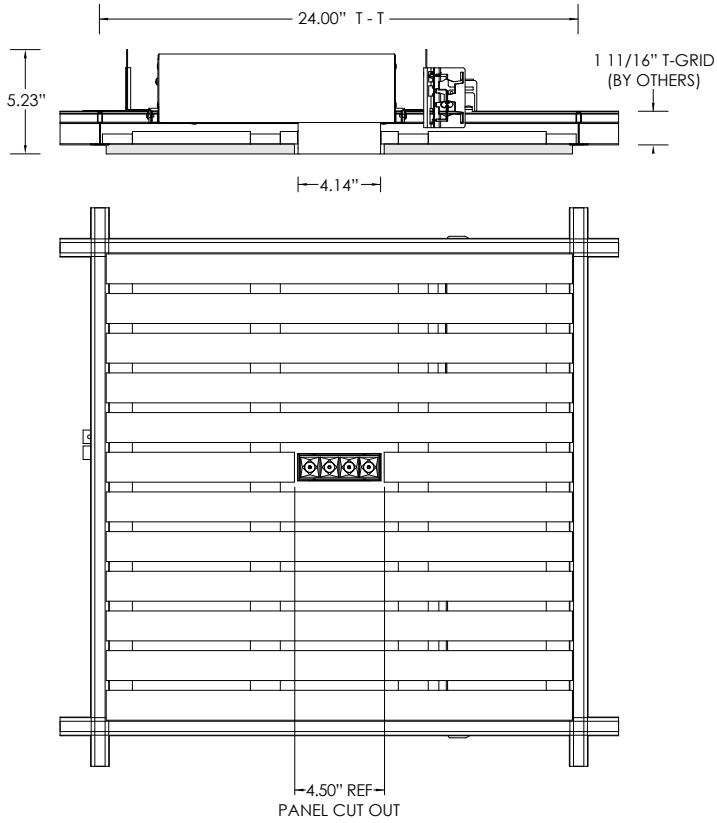
PLEASE NOTE: FIXTURE INSTALLATION MUST BE COORDINATED WITH CEILING PANEL INSTALLATION TO ENSURE FIXTURE ACCESSIBILITY CEILING SYSTEM AND 5/8" THICK INFILL PANEL (BY OTHERS)

HOUSING TYPES

NC - NEW CONSTRUCTION HOUSING

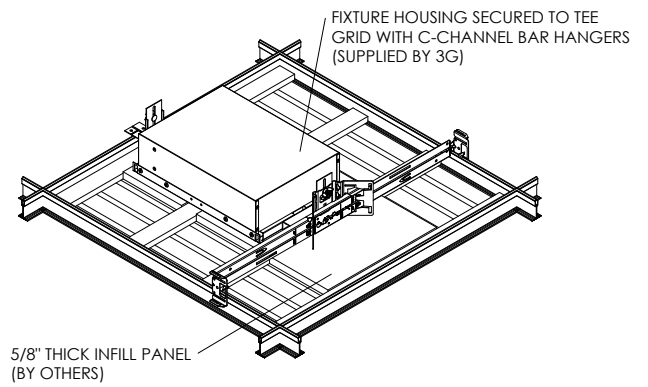


LTG - LINEAR TEGULAR (CEILING SYSTEM BY OTHERS)



COMPATIBLE CEILING SYSTEMS	
MANUFACTURER	COMPATIBLE PART NUMBER
ARMSTRONG	6733F51L2T9, 6733F51L4T9, 6733F51L2T5, 6733F51L4T5
9WOOD	2116-2

SH - SHALLOW HOUSING



PLEASE NOTE: FIXTURE INSTALLATION MUST BE COORDINATED WITH CEILING PANEL INSTALLATION TO ENSURE FIXTURE ACCESSIBILITY CEILING SYSTEM AND 5/8" THICK INFILL PANEL (BY OTHERS)

HOUSING TYPES

SH - SHALLOW HOUSING

