

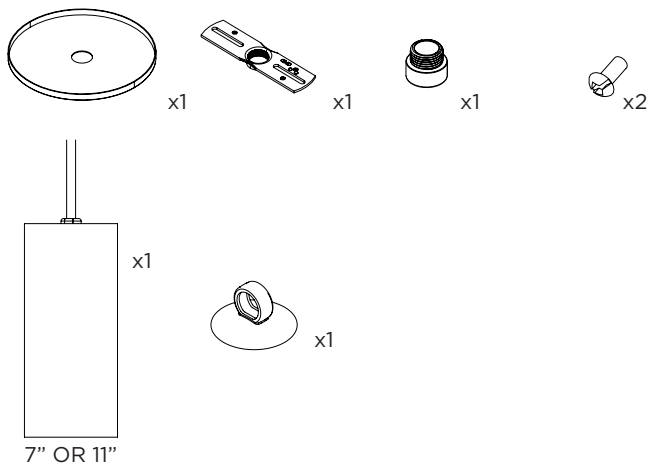
## 3.3" WALL WASH CYLINDER - PENDANT

CABLE PENDANT MOUNT

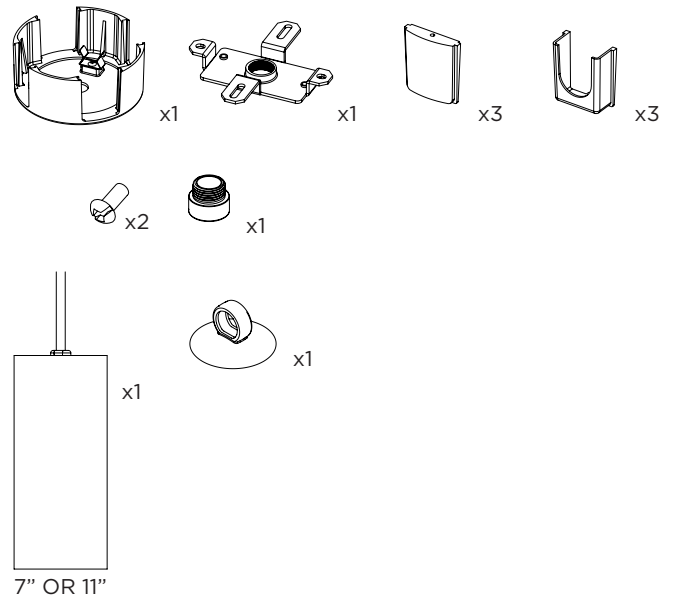


### COMPONENTS

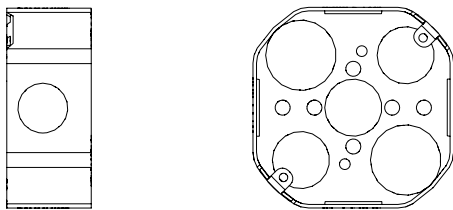
#### STANDARD CANOPY



#### CONDUIT FEED CANOPY

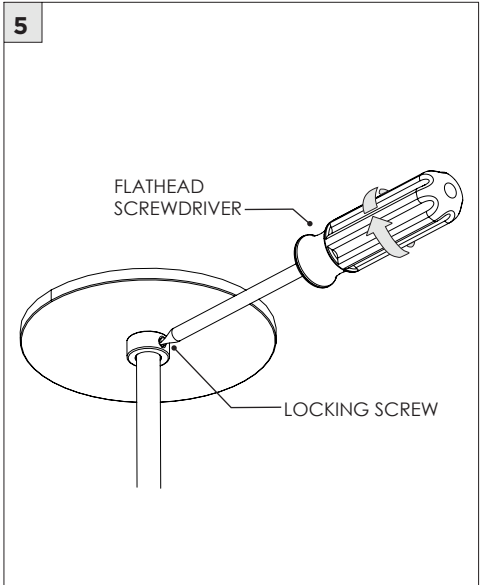
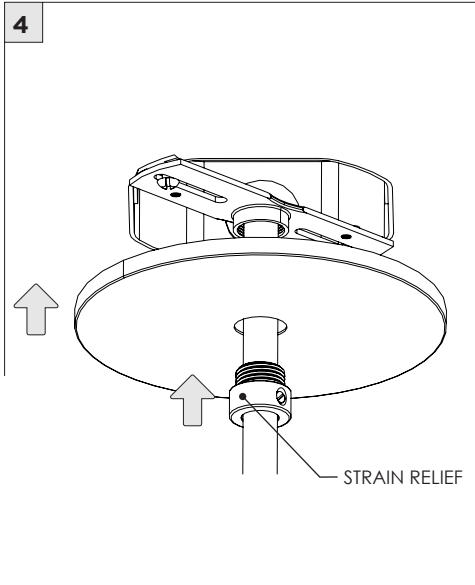
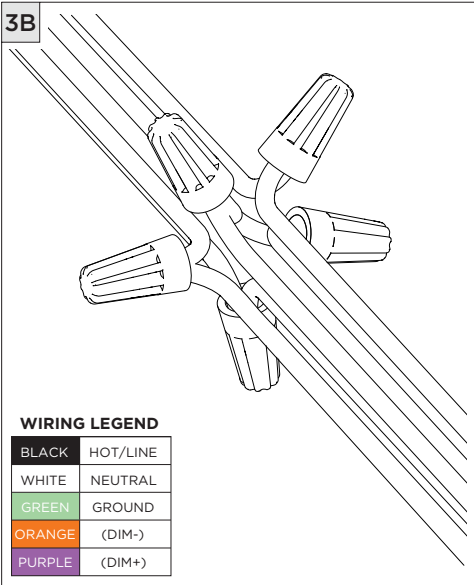
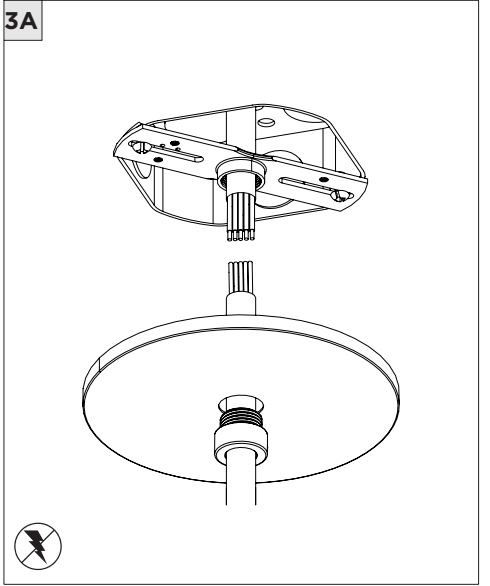
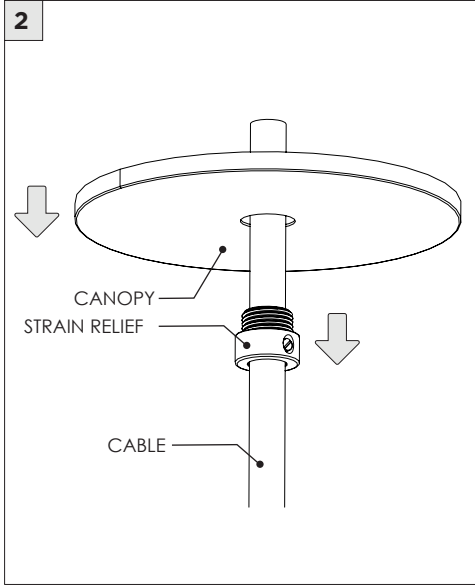
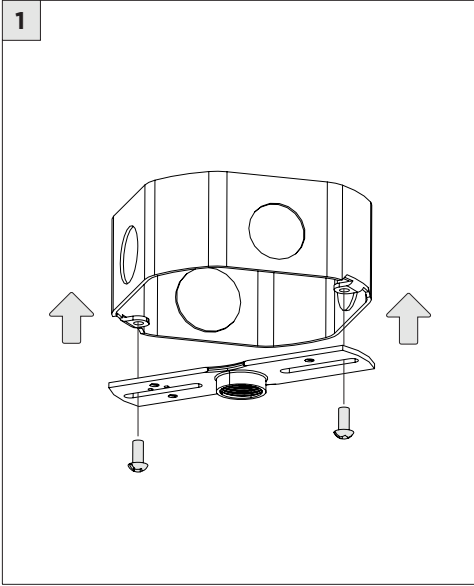


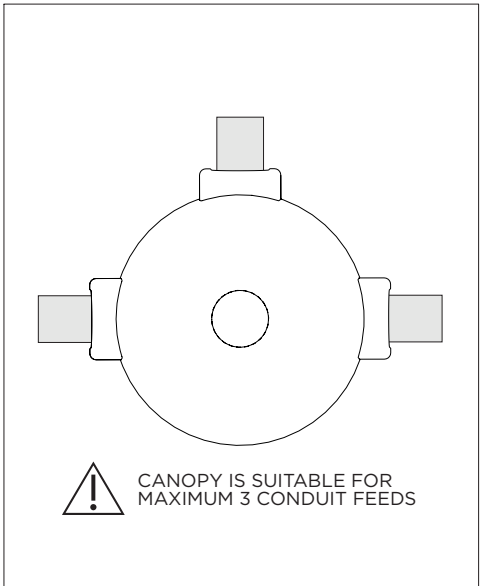
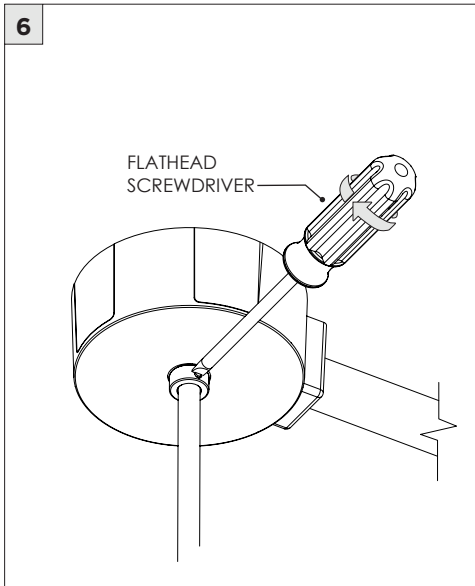
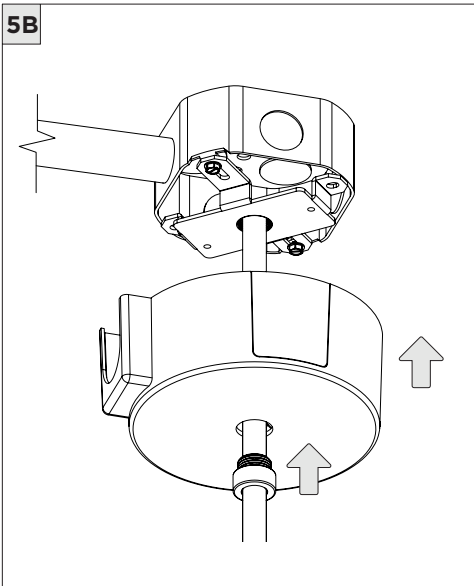
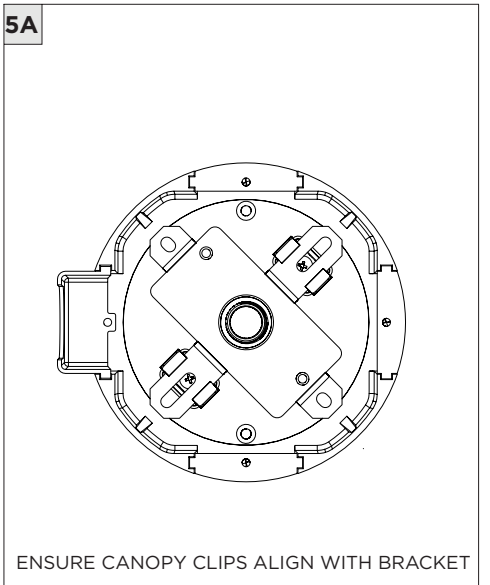
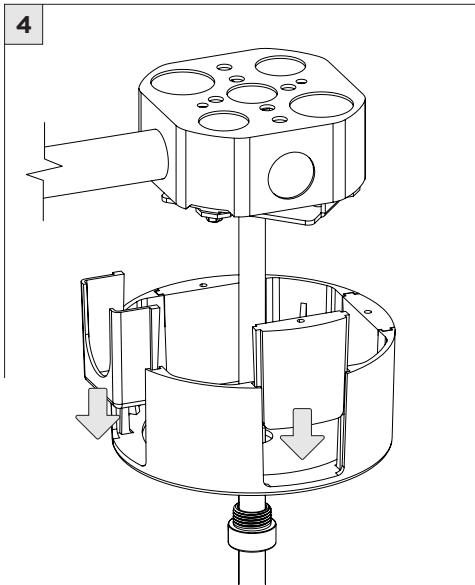
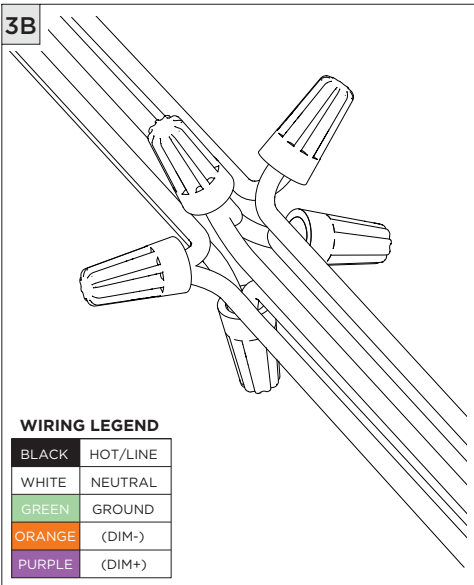
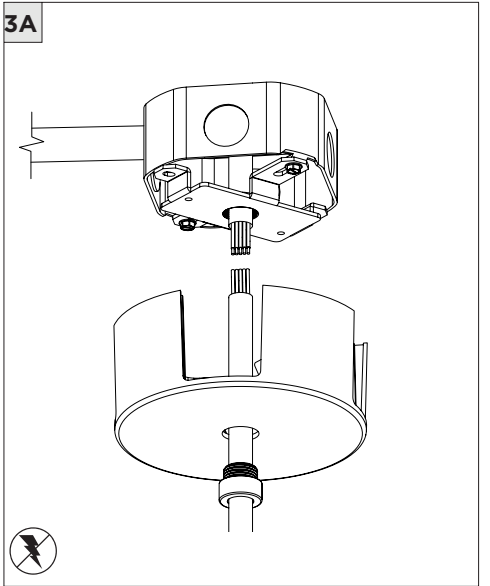
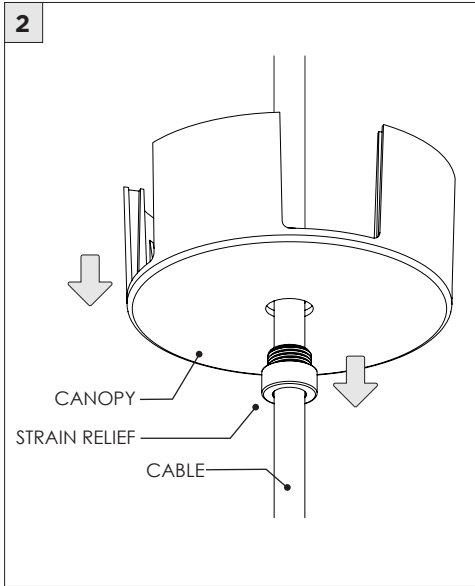
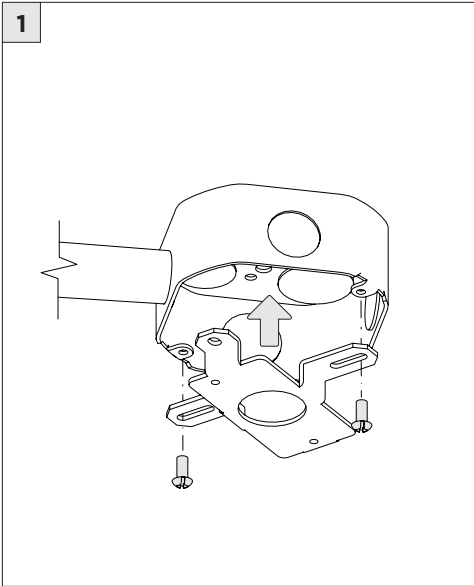
#### 4" OCTAGONAL J-BOX REQUIRED FOR INSTALLATION



JUNCTION BOX (BY OTHERS)

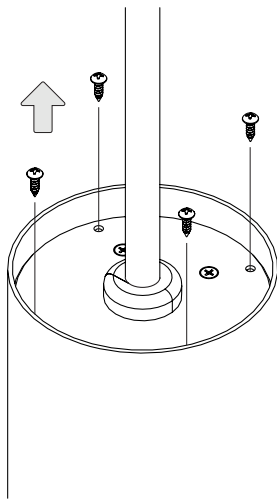
INSTRUCTION KEY	INFORMATION
ADDITIONAL	INSTALLATION SHOULD ONLY BE PERFORMED BY A CERTIFIED ELECTRICIAN
ATTENTION	REFER TO LOCAL/NATIONAL CODES FOR PROPER INSTALLATION
POWER ON	FAILURE TO FOLLOW INSTALLATION INSTRUCTION MAY VOID THE WARRANTY
POWER OFF	DO NOT TOUCH LEDS. LEDS MUST BE PROTECTED FROM MECHANICAL STRESS OR DEBRIS
	TURN OFF POWER DURING INSTALLATION OR SERVICING



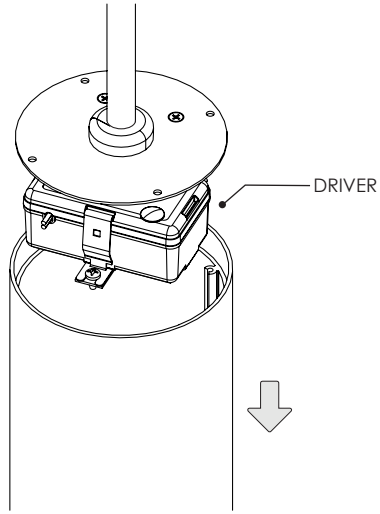


**DRIVER SERVICING**

1A

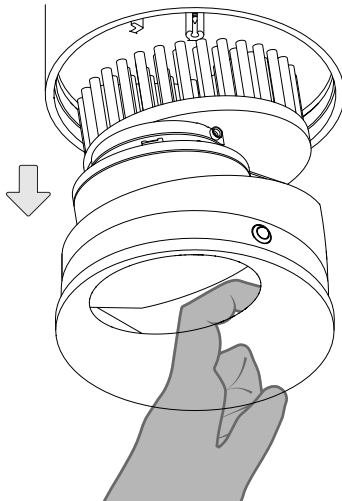


2



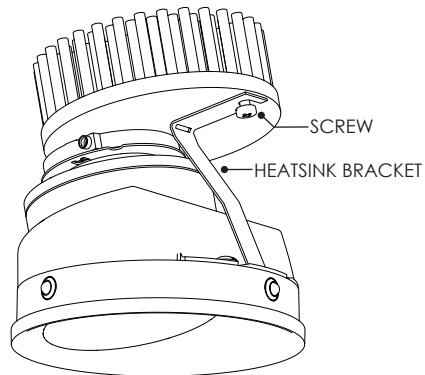
**LED SERVICING**

1



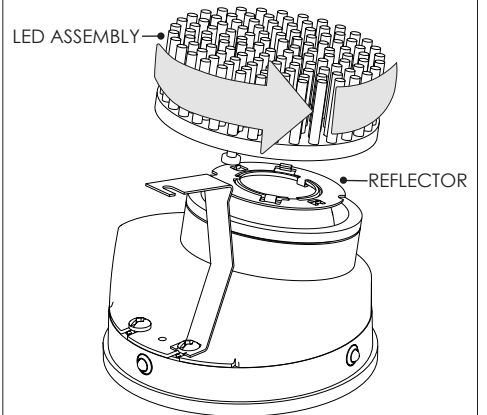
DISCONNECT LED WIRES AND REMOVE LED INSERT

2



LOOSEN HEATSINK BRACKET SCREW

3



TWIST AND REMOVE LED ASSEMBLY FROM REFLECTOR