

# 3G LIGHTING

## 3G-PDL33RWW

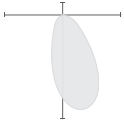
3.3" WALL WASH CYLINDER  
7" AND 11" HEIGHT

3.3" diameter, high performance wall wash cylinder  
Standard 95+ CRI LED system with performance up to 93 LPW  
Delivered lumen range up to 1400lm at 95+ CRI  
Regressed LED source with enhanced glare control  
Proprietary wall wash optic and lens  
Extruded aluminum construction with no visible hardware  
Companion to 3G's DL33R series downlight family



### OPTICS

WW



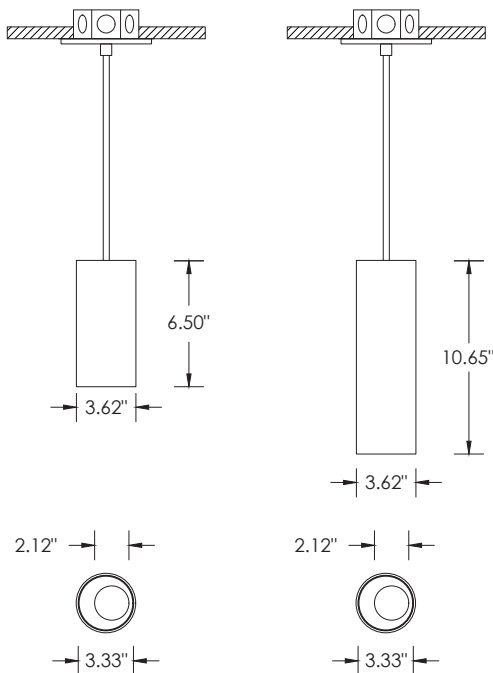
### PERFORMANCE

LUMEN OUTPUT	DELIVERED LUMENS	SYSTEM WATTS	EFFICACY (LPW)
1000	1021	11.2	91
1250	1250	14.3	87
1400	1402	16.3	86

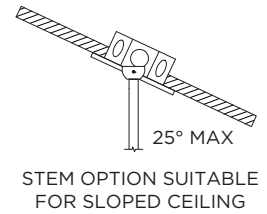
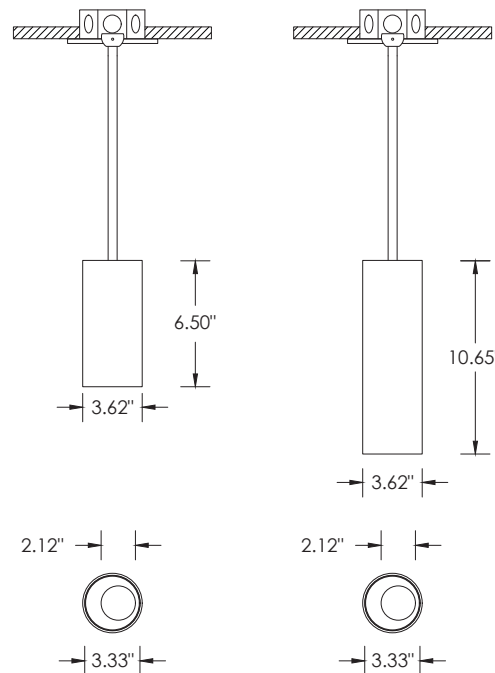
BASED ON 95+ CRI, 3500K, WITH WALL WASH OPTIC  
Lumen output and actual wattage may vary +/- 5%

### DIMENSIONS

#### CABLE SUSPENSION



#### STEM SUSPENSION



<b>PROJECT:</b>		<b>TYPE:</b>	
<b>CATALOG#:</b>		<b>DATE:</b>	
		<b>QTY:</b>	

CAT. NO	FIXTURE HEIGHT	LUMEN OUTPUT	CRI	COLOR TEMP	BEAM ANGLE
<b>3G-PDL33RWW</b>	<b>7H - 7" HEIGHT *</b> <b>11H - 11" HEIGHT</b>	<b>10 - 1000 LUMENS</b> <b>12 - 1250 LUMENS</b> <b>14 - 1400 LUMENS</b>	<b>H95 - 95+ CRI</b>	<b>27K - 2700K</b> <b>30K - 3000K</b> <b>35K - 3500K</b> <b>40K - 4000K</b>	<b>WW- WALL WASH</b>
	*7H available up to 1000lm with integral driver (DIM & LE) Select Power Canopy for 1250lm, 1400lm and D01 and DALI options	All lumen outputs are delivered lumens at 95+ CRI			

VOLTAGE	DRIVER	HOUSING FINISH	INSERT FINISH	CANOPY
<b>UNV - 120/277V</b> <b>120 - 120V</b> <b>347 - 347V <sup>1</sup></b>	<b>DIM - 0-10V (100-1%)</b> <b>LE - PHASE DIM <sup>2</sup></b> (TRIAC/ELV, 100-1%) <b>D01 - 0-10V (100-0.1%)</b> <b>DALI - DALI (100-1%) <sup>3</sup></b> <b>DMX - DMX (100-0%) <sup>4</sup></b> <b>DHL2 - LUTRON HI-LUME LDE1 <sup>4</sup></b> (1% ECOSYSTEM)	<b>WH - WHITE</b> <b>BK - BLACK</b> <b>SV - SILVER</b>	<b>WI - WHITE</b> <b>BI - BLACK</b> <b>SI - SILVER</b>	<b>CN - CANOPY (STANDARD)</b> <b>PC - POWER CANOPY *</b> <b>CF - CONDUIT CANOPY</b>
				Power Canopy suitable for 7" Cylinder with 1250lm & 1400lm

CANOPY FINISH	SUSPENSION TYPE	SUSPENSION LENGTH	OPTIONS
<b>WCF - WHITE (STANDARD)</b> <b>BCF - BLACK</b> <b>SCF - SILVER</b>	<b>WC - WHITE CABLE</b> <b>BC - BLACK CABLE</b> <b>RSW - WHITE RIGID STEM</b> <b>RSB - BLACK RIGID STEM</b> <b>RSS - SILVER RIGID STEM</b> <b>RSC - CUSTOM RAL STEM</b>	<b>C60 - 60" CABLE</b> <b>C120 - 120" CABLE</b> <b>S48 - 48" STEM</b> <b>S96 - 96" STEM</b>	<b>EMR - REMOTE EMERGENCY <sup>5</sup></b> <b>BATTERY</b>
		All suspension options are field cuttable	

**1** 347 available in "DIM" 0-10V only (100-1%). Not available with 7H model  
**2** Phase dimming options available in 120V only  
**3** DALI-2 (Type 6) provided as standard. Consult factory for DALI Type 8 option  
**4** DMX and DHL2 (Lutron) not available with 7H model  
**5** Supplied with enclosure with Emergency Battery and driver. Installed remotely by others. Not accessible through fixture aperture

**PERFORMANCE**

LUMEN OUTPUT	DELIVERED LUMENS	SYSTEM WATTS	EFFICACY (LPW)
1000	1021	11.2	91
1250	1250	14.3	87
1400	1402	16.3	86

BASED ON 95+ CRI, 3500K, WITH WALL WASH OPTIC  
Lumen output and actual wattage may vary +/- 5%

**MULTIPLIERS**

COLOR TEMP	
2700K	0.98
3000K	1.00
3500K	1.00
4000K	1.02

**HOUSING**

Extruded aluminum housing with powder coated finish

**BEVELED INSERT**

Cast aluminum beveled insert with matte powder coated finish  
3.3" aperture with regressed LED source for enhanced glare control

**OPTICS**

Proprietary wall wash optic  
Asymmetrical lens provides uniformity and smooth illumination across and down the wall  
Regressed LED source with enhanced glare control

**ELECTRICAL**

Standard 0-10V, constant current drivers  
100-1% dimming range and >0.9 power factor  
Standard 120/277V universal voltage with several driver options  
120V Forward Phase/Reverse Phase driver option (100-1%)  
Integral drivers are easily accessible through luminaire aperture  
Power Canopy with integral driver for 7" model and higher lumen outputs

**LED SYSTEM**

Standard 95+ CRI  
Color consistency <2 SDCM  
Available in 27K, 30K, 35K, and 40K  
L90 > 50,000 hours

**MOUNTING**

1/2" diameter rigid stem option with sloped ceiling adapter (field cuttable)  
Standard, 18-gauge, 5 conductor single circuit braided power feed cable (black and white finish)  
All hardware included for mounting to 4" octagonal junction box  
Canopy provided in white finish as standard  
Conduit feed cut-out canopy option designed to mount to 4" octagonal junction box

**EMERGENCY**

7W output for 90 minutes (+/- 640lm at 95+ CRI). Title 24 Certified Remote emergency battery (not accessible through fixture aperture)  
Maximum remote mounting distance: 50ft (12AWG) or 25ft (14AWG)  
Caution: Emergency Battery utilizes more than one power source and servicing should be performed by qualified personnel

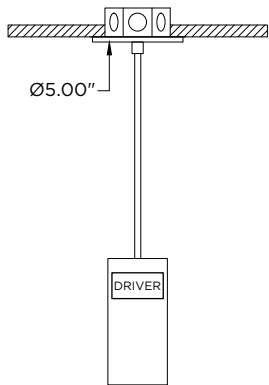
**LISTING**

ETL listed and conforms to UL1598 standard  
Certified to CSA22.2 NO.250.0.  
Rated for dry or damp locations

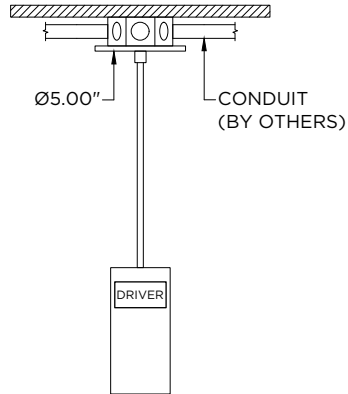
**WARRANTY**

5 year limited warranty  
LED system rated for operation in ambient environments up to 25°C

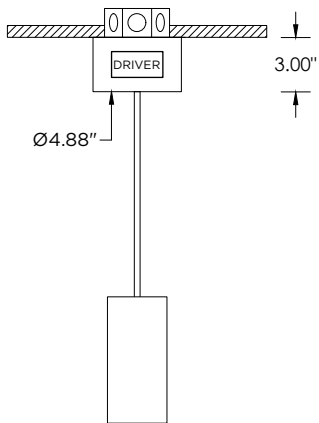
**CN - STANDARD CANOPY**  
RECESSED J-BOX (BY OTHERS)



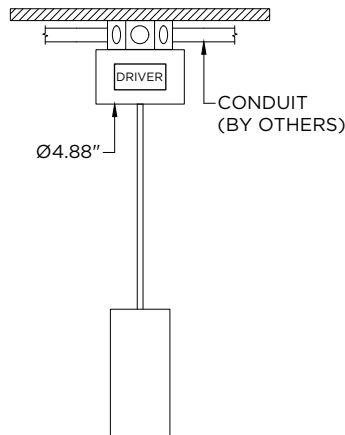
**CN - STANDARD CANOPY**  
SURFACE MOUNT J-BOX (BY OTHERS)



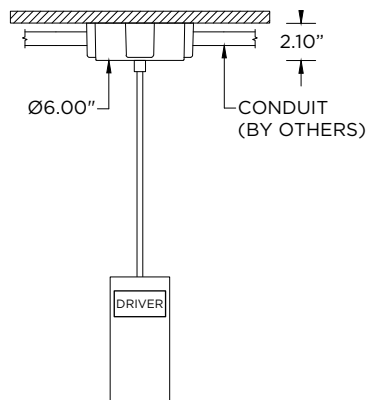
**PC - POWER CANOPY**  
RECESSED J-BOX (BY OTHERS)



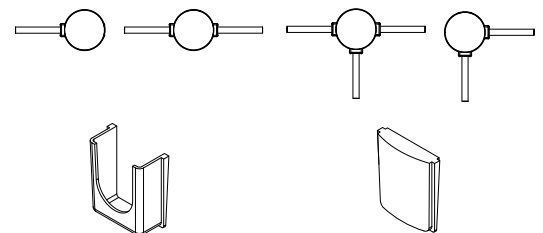
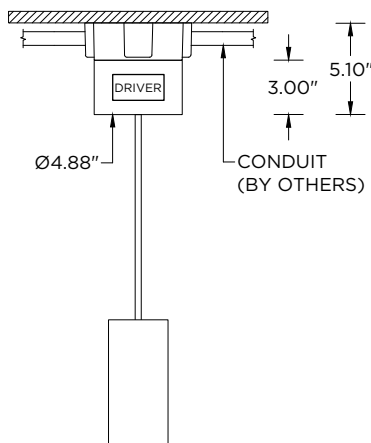
**PC - POWER CANOPY**  
SURFACE MOUNT J-BOX (BY OTHERS)



**CD - CONDUIT FEED CANOPY**  
SURFACE MOUNT J-BOX (BY OTHERS)



**CD - CONDUIT FEED CANOPY & PC - POWER CANOPY**  
SURFACE MOUNT J-BOX (BY OTHERS)



CONDUIT COVER  
3 PROVIDED WITH EACH  
CONDUIT FEED CANOPY

BLANK  
2 PROVIDED WITH EACH  
CONDUIT FEED CANOPY