

# 3G LIGHTING

## 3G-SDL33RWW

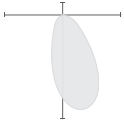
3.3" WALL WASH CYLINDER  
7" AND 11" HEIGHT

3.3" diameter, high performance wall wash cylinder  
Standard 95+ CRI LED system with performance up to 93 LPW  
Delivered lumen range up to 1400lm at 95+ CRI  
Regressed LED source with enhanced glare control  
Proprietary wall wash optic and lens  
Extruded aluminum construction with no visible hardware  
Companion to 3G's DL33R series downlight family



### OPTICS

WW

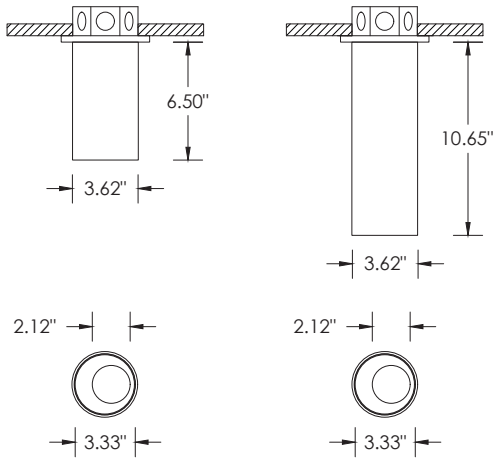


### PERFORMANCE

LUMEN OUTPUT	DELIVERED LUMENS	SYSTEM WATTS	EFFICACY (LPW)
1000	1021	11.2	91
1250	1250	14.3	87
1400	1402	16.3	86

BASED ON 95+ CRI, 3500K, WITH WALL WASH OPTIC  
Lumen output and actual wattage may vary +/- 5%

### DIMENSIONS



<b>PROJECT:</b>		<b>TYPE:</b>	
<b>CATALOG#:</b>		<b>DATE:</b>	<b>QTY:</b>

CAT. NO	FIXTURE HEIGHT	LUMEN OUTPUT	CRI	COLOR TEMP	BEAM ANGLE
<b>3G-SDL33RWW</b>	<b>7H - 7" HEIGHT *</b> <b>11H - 11" HEIGHT</b>  *7H available up to 1000lm with integral driver (DIM & LE options)	<b>10 - 1000 LUMENS</b> <b>12 - 1250 LUMENS</b> <b>14 - 1400 LUMENS</b>  All lumen outputs are delivered lumens at 95+ CRI	<b>H95 - 95+ CRI</b>	<b>27K - 2700K</b> <b>30K - 3000K</b> <b>35K - 3500K</b> <b>40K - 4000K</b>	<b>WW- WALL WASH</b>

VOLTAGE	DRIVER	HOUSING FINISH	INSERT FINISH
<b>UNV - 120/277V</b> <b>120 - 120V</b> <b>347 - 347V <sup>1</sup></b>	<b>DIM - 0-10V (100-1%)</b> <b>LE - PHASE DIM <sup>2</sup></b> (TRIAC/ELV, 100-1%) <b>D01 - 0-10V (100-0.1%)</b> <b>DALI - DALI (100-1%) <sup>3</sup></b> <b>DMX - DMX (100-0%) <sup>4</sup></b> <b>DHL2- LUTRON HI-LUME LDE1 <sup>4</sup></b> (1% ECOSYSTEM) <b>RDIM - REMOTE 0-10 (100-1%)</b> <b>RLE - REMOTE PHASE DIM</b> (TRIAC/ELV, 100-1%)  Remote drivers supplied with enclosure	<b>WH - WHITE</b> <b>BK - BLACK</b> <b>SV - SILVER</b>	<b>WI - WHITE</b> <b>BI - BLACK</b> <b>SI - SILVER</b>

OPTIONS
<b>FXC - SEAMLESS CANOPY</b> <b>CF - CONDUIT FEED CANOPY</b> <b>EMR - REMOTE EMERGENCY BATTERY <sup>5</sup></b>  All canopy options provided in same finish as housing

<sup>1</sup> 347 available in "DIM" 0-10V only (100-1%). Not available with 7H model  
<sup>2</sup> Phase dimming options available in 120V only  
<sup>3</sup> DALI-2 (Type 6) provided as standard. Consult factory for DALI Type 8 option  
<sup>4</sup> DMX and DHL2 (Lutron) not available with 7H model  
<sup>5</sup> Supplied with enclosure with Emergency Battery and driver. Installed remotely by others. Not accessible through fixture aperture

**PERFORMANCE**

LUMEN OUTPUT	DELIVERED LUMENS	SYSTEM WATTS	EFFICACY (LPW)
1000	1021	11.2	91
1250	1250	14.3	87
1400	1402	16.3	86

BASED ON 95+ CRI, 3500K, WITH WALL WASH OPTIC  
Lumen output and actual wattage may vary +/- 5%

**MULTIPLIERS**

COLOR TEMP	
2700K	0.98
3000K	1.00
3500K	1.00
4000K	1.02

**HOUSING**

Extruded aluminum housing with powder coated finish  
Twist and lock construction with no visible hardware

**BEVELED INSERT**

Cast aluminum beveled insert with matte powder coated finish  
3.3" aperture with regressed LED source for enhanced glare control

**OPTICS**

Proprietary wall wash optic  
Asymmetrical lens provides uniformity and smooth illumination across and down the wall  
Regressed LED source with enhanced glare control

**ELECTRICAL**

Standard 0-10V, constant current drivers  
100-1% dimming range and >0.9 power factor  
Standard 120/277V universal voltage with several driver options  
120V Forward Phase/Reverse Phase driver option (100-1%)  
Integral drivers are easily accessible through luminaire aperture  
Remote drivers supplied with enclosure

**LED SYSTEM**

Standard 95+ CRI  
Color consistency <2 SDCM  
Available in 27K, 30K, 35K, and 40K  
L90 > 50,000 hours

**MOUNTING**

All hardware included for mounting to 4" octagonal junction box  
Conduit feed cut-out canopy option designed to mount to 4" octagonal junction box  
Seamless canopy option mounts to 4" octagonal junction box (new construction only)

**EMERGENCY**

7W output for 90 minutes (+/- 640lm at 95+ CRI). Title 24 Certified  
Remote emergency battery (not accessible through fixture aperture)  
Maximum remote mounting distance: 50ft (12AWG) or 25ft (14AWG)  
Caution: Emergency Battery utilizes more than one power source and servicing should be performed by qualified personnel

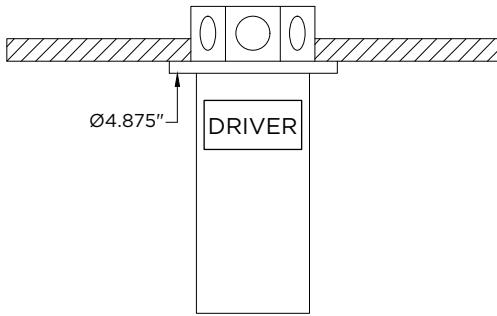
**LISTING**

ETL listed and conforms to UL1598 standard  
Certified to CSA22.2 NO.250.0.  
Rated for dry or damp locations

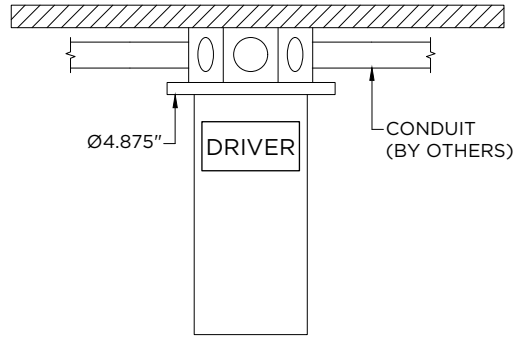
**WARRANTY**

5 year limited warranty  
LED system rated for operation in ambient environments up to 25°C

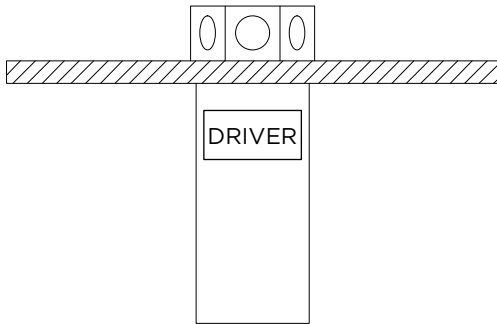
**STANDARD CANOPY**  
RECESSED J-BOX (BY OTHERS)



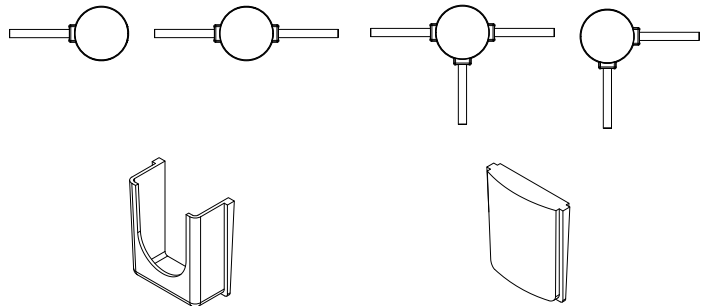
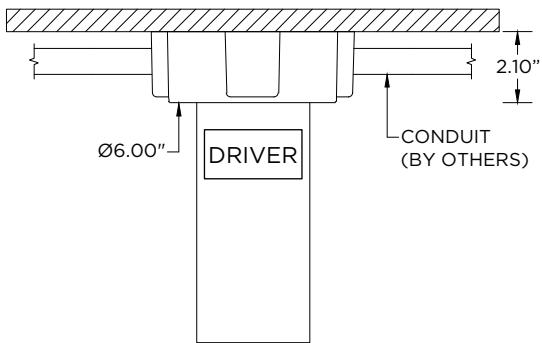
**STANDARD CANOPY**  
SURFACE J-BOX (BY OTHERS)



**FXC - SEAMLESS CANOPY**  
RECESSED J-BOX (BY OTHERS)



**CF - CONDUIT FEED CANOPY**  
SURFACE MOUNT J-BOX (BY OTHERS)



CONDUIT COVER  
3 PROVIDED WITH EACH  
CONDUIT FEED CANOPY

BLANK  
2 PROVIDED WITH EACH  
CONDUIT FEED CANOPY