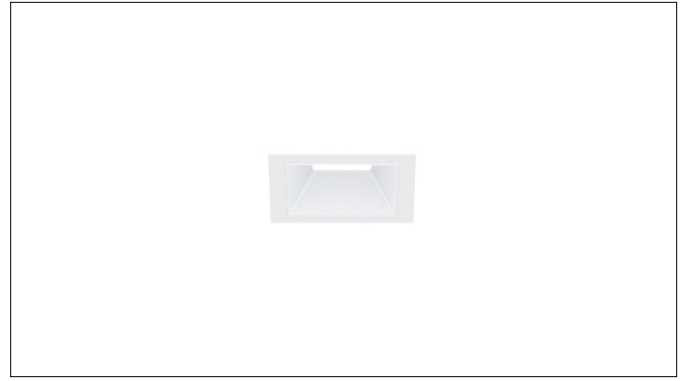


3G LIGHTING

3G-DL20SA

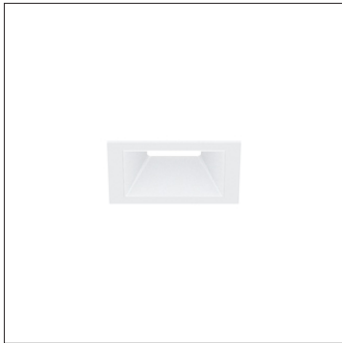
2.0" SQUARE ADJUSTABLE
DOWNLIGHT

2" Square high performance, adjustable downlight
Standard 95+ CRI LED system with performance up to 95 LPW
Delivered lumen range up to 1500lm at 95+ CRI
Installation and fully serviceable from below ceiling plane
Proprietary hot aiming mechanism with sliding center beam optimization
0°- 35° lockable tilt and 360° rotation
Companion to 3G's Cylinder product family

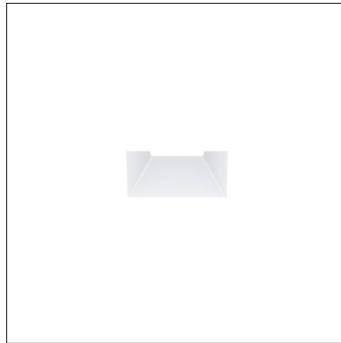


PRODUCTION Q2 2025

TRIM FLANGE



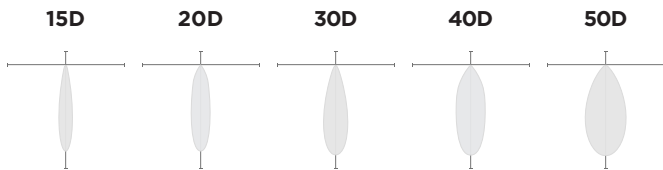
TRIMLESS



MILLWORK



OPTICS



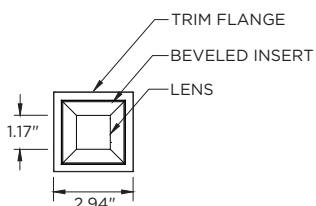
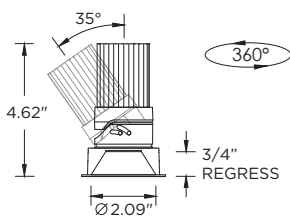
PERFORMANCE

LUMEN OUTPUT	DELIVERED LUMENS	SYSTEM WATTS	EFFICACY (LPW)
750	750	8.1	92
1000	1000	11.2	89
1250	1250	15.6	80
1500	1500	19.6	78

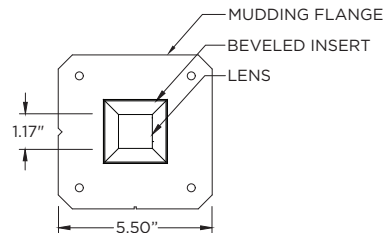
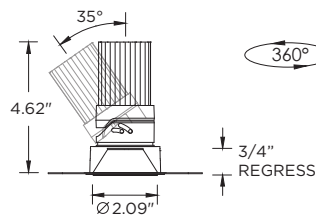
BASED ON 95+ CRI, 3500K, 30D OPTIC WITH SOFTENING LENS
Lumen output and actual wattage may vary +/- 5%

DIMENSIONS

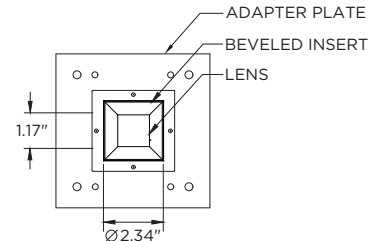
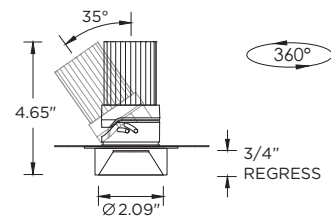
TRIM FLANGE



TRIMLESS



MILLWORK



PROJECT:		TYPE:	
CATALOG#:		DATE:	QTY:

CAT. NO	LUMEN OUTPUT	CRI	COLOR TEMP	BEAM ANGLE	VOLTAGE
3G-DL20SA	07 - 750 LUMENS 10 - 1000 LUMENS 12 - 1250 LUMENS 15 - 1500 LUMENS <small>All lumen outputs are delivered lumens at 95+ CRI</small>	H95 - 95+ CRI	27K - 2700K 30K - 3000K 35K - 3500K 40K - 4000K	15D - 15° ¹ 20D - 20° 30D - 30° 40D - 40° 50D - 50°	UNV - 120/277V 120 - 120V

DRIVER	TRIM FLANGE	BEVELED INSERT	HOUSING TYPE
DIM - 0-10V (100-1%) LE - PHASE DIM ² <small>(TRIAC/ELV, 100-1%)</small> DO1 - 0-10V (100-0.1%) DALI - DALI (100-1%) ³	WT - WHITE BT - BLACK ST - SILVER XTR - TRIMLESS <small>(MUD-IN DRYWALL)</small> MWF - FLANGELESS ⁴ <small>MILLWORK</small>	WI - WHITE BI - BLACK SI - SILVER	RMD - REMODEL (NON-IC) NCF - NEW CONSTRUCTION FRAME (NON-IC) NC - NEW CONSTRUCTION HOUSING (CP RATED) ⁵ IC - NEW CONSTRUCTION ⁵ <small>IC HOUSING</small> <small>NCF, NC and IC housings ship with nailer type bar hangers</small>

OPTIONS
SF - SOFTENING LENS (SUPPLIED STANDARD) LS - LINEAR SPREAD LENS SB - SANDBLASTED LENS WL - WET LOCATION RATED (SUPPLIED WITH SOFTENING LENS) CP - CHICAGO PLENUM ⁶ EMR - REMOTE EMERGENCY BATTERY ⁷ <small>Maximum 1 optical accessory</small>

¹ 15D reflector available up to 1000lm
² Phase dimming options available in 120V only
³ DALI-2 (Type 6) provided as standard. Consult factory for DALI Type 8 option
⁴ MWF not available with Remodel (NON-IC)
⁵ New Construction housing and IC housing available up to 1250lm
⁶ Chicago Plenum option available with New Construction Housing
⁷ Supplied with enclosure with Emergency Battery and driver. Installed remotely by others. Not accessible through fixture aperture

PERFORMANCE

LUMEN OUTPUT	DELIVERED LUMENS	SYSTEM WATTS	EFFICACY (LPW)
750	750	8.1	92
1000	1000	11.2	89
1250	1250	15.6	80
1500	1500	19.6	78

BASED ON 95+ CRI, 3500K, 30D OPTIC WITH SOFTENING LENS
Lumen output and actual wattage may vary +/- 5%

MULTIPLIERS

BEAM ANGLE	
15D	0.95
20D	1.00
30D	1.00
40D	0.97
50D	0.94

COLOR TEMP	
2400K	0.91
2700K	0.95
3000K	0.97
3500K	1.00
4000K	1.03

HOUSING

Remodel, new construction frame, new construction and IC housing options for installation in any site condition
Maximum ceiling thickness of 0.625". Consult factory for modifications
All housing options (except millwork) designed to be easily converted in field to trim or trimless with minimal components
Housing rated for #12 AWG (4 in, 4 out), 90°C conductors and through branch wiring

BEVELED INSERT

Cast aluminum beveled insert with matte powder coated finish
2" aperture with regressed LED source for enhanced glare control

TRIM

Cast aluminum trim flange with matte powder coated finish and minimal 0.300" overlap

TRIMLESS

Mudding flange features a perforated surface for easy mud-in application
Integral blocking support provided to ensure fixture is properly secured within ceiling structure

OPTICS

High performance, TIR optic
Beam angle available in 15°, 20°, 30°, 40° and 50°
Optics are field replaceable (15° not interchangeable)
Softening lens supplied standard
0°-35° lockable tilt and 360° lockable rotation

LED SYSTEM

Standard 95+ CRI
Color consistency <2 SDCM
Available in 24K, 27K, 30K, 35K, and 40K
L90 > 50,000 hours

ELECTRICAL

Standard 0-10V, constant current drivers
100-1% dimming range and >0.9 power factor
Standard 120/277V universal voltage with several driver options
120V Forward Phase/Reverse Phase driver option (100-1%)
Integral drivers are easily accessible through luminaire aperture

EMERGENCY

7W output for 90 minutes (+/- 665lm at 95+ CRI). Title 24 Certified Remote emergency battery (not accessible through fixture aperture)
Maximum remote mounting distance: 50ft (12AWG) or 25ft (14AWG)
Caution: Emergency Battery utilizes more than one power source and servicing should be performed by qualified personnel

MOUNTING

Trim fixture designed for use in drywall, wood, acoustic, and other architectural ceilings
Trimless fixture designed for use in drywall, mud-in ceiling applications
Millwork Flangeless option for wood ceilings and acoustic
Recommended trim and mud-in trimless cut-out (2.625" x 2.625")
Recommended Millwork Flangeless cut-out (2.625" x 2.625")
All housing types except remodel ship with nailer type bar hangers (14" to 26" extension)

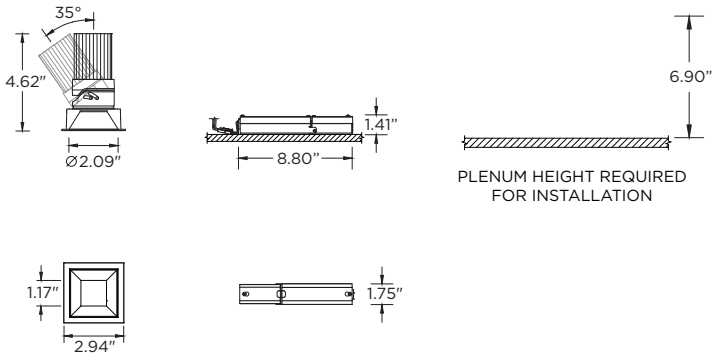
LISTING

ETL listed and conforms to UL1598 standard
Certified to CSA22.2 NO.250.0.
Rated for dry or damp locations

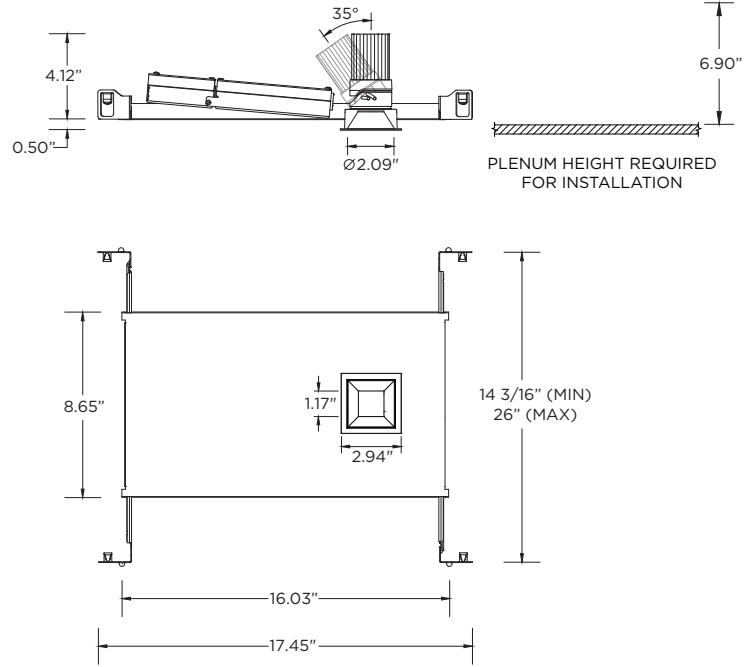
WARRANTY

5 year limited warranty
LED system rated for operation in ambient environments up to 25°C

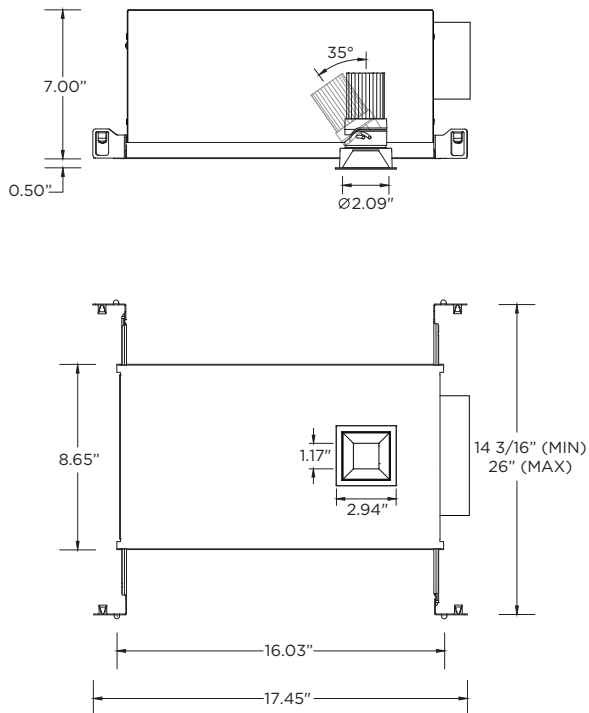
RMD - REMODEL (NON-IC)



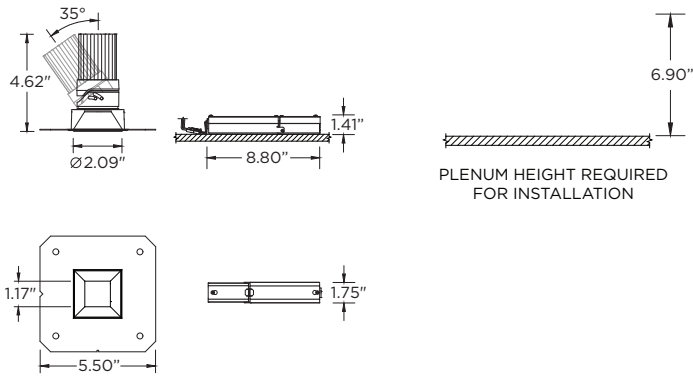
NCF - NEW CONSTRUCTION FRAME (NON-IC)



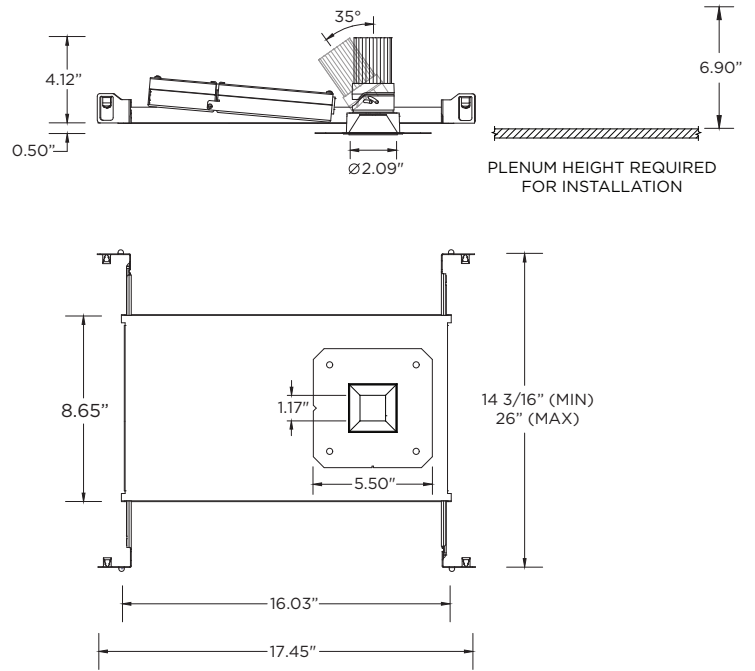
NC - NEW CONSTRUCTION HOUSING (NON-IC AND CP RATED)



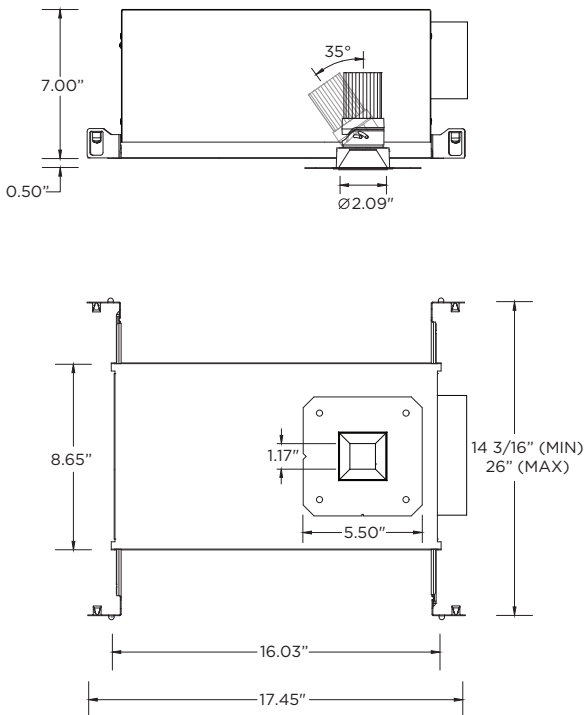
RMD - REMODEL (NON-IC)



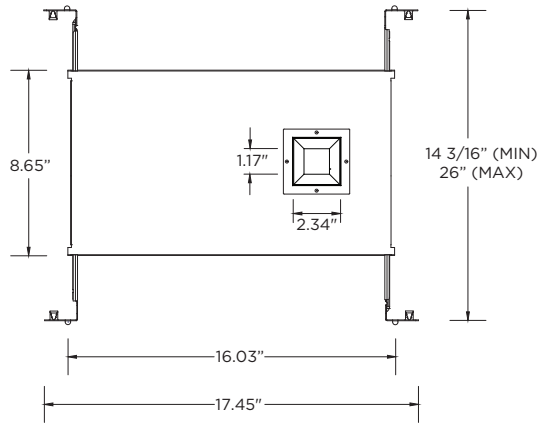
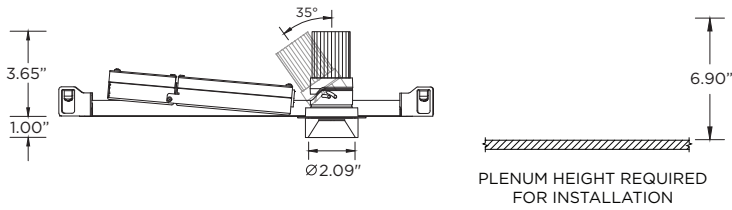
NCF - NEW CONSTRUCTION FRAME (NON-IC)



NC - NEW CONSTRUCTION HOUSING (NON-IC AND CP RATED)



NCF - NEW CONSTRUCTION FRAME (NON-IC)



NC - NEW CONSTRUCTION HOUSING (NON-IC AND CP RATED)

