



## 3G-RC2

2 LIGHT MADISON  
TRIM & TRIMLESS



New construction and IC housing options available  
 Trim fixture designed to conceal internal hardware  
 Trimless fixture features a proprietary aluminum mudding flange  
 Machined aluminum double gimbals. Adjustable and lockable  
 Regressed LED source for enhanced glare control  
 Lumen range of 1000lm to 5000lm (80+, 90+, and 97+ CRI options)  
 1% dimming standard with several integral driver options

### ORDERING INFORMATION

<b>PROJECT:</b>	<input type="text"/>	<b>TYPE:</b>	<input type="text"/>
<b>CATALOG #:</b>	<input type="text"/>	<b>DATE:</b>	<input type="text"/>

CAT. NO	LUMEN OUTPUT	CRI	COLOR TEMP	BEAM ANGLE	VOLTAGE	DRIVER
<b>3G-RC2</b>	<b>10</b> - 1000 LUMENS	<b>S80</b> - 80+CRI (STANDARD) <b>H90</b> - 90+ CRI <sup>1</sup> <b>H97</b> - 97+ CRI <sup>2</sup>	<b>27K</b> - 2700K	<b>20D</b> - 20°	<b>120</b> - 120V <sup>3</sup> <b>277</b> - 277V <b>347</b> - 347V (0-10V ONLY)	<b>DIM</b> - 0-10V (STANDARD 100-1%) <b>DHL2</b> - LUTRON (ECO SYSTEM "H" 100-1%) <b>DALI</b> - DALI (100-1%) <b>LE</b> - PHASE DIMMING <sup>3</sup> (TRIAC/ELV, 100-1%, 120V ONLY) <b>D01</b> - 0-10V (100-0.1%) <b>DMX</b> - DMX (100-0%)
	<b>15</b> - 1500 LUMENS		<b>30K</b> - 3000K	<b>40D</b> - 40°		
	<b>22</b> - 2200 LUMENS		<b>35K</b> - 3500K	<b>60D</b> - 60°		
	<b>30</b> - 3000 LUMENS					
	<b>40</b> - 4000 LUMENS					
	<b>50</b> - 5000 LUMENS					

FLANGE TYPE	GIMBAL FINISH	HOUSING INTERIOR	HOUSING TYPE	OPTIONS
<b>WT</b> - WHITE (STANDARD) <b>ST</b> - SILVER <b>BT</b> - BLACK <b>CT</b> - CUSTOM <b>XTR</b> - TRIMLESS	<b>NG</b> - NATURAL ALUMINUM (STANDARD) <b>BG</b> - BLACK <b>WG</b> - WHITE	<b>BK</b> - BLACK (STANDARD) <b>WH</b> - WHITE <b>CF</b> - CUSTOM	<b>NC</b> - NEW CONSTRUCTION (NON-IC) <b>IC</b> - IC HOUSING <sup>4</sup> <b>CP</b> - CHICAGO PLENUM	<b>BH</b> - BAR HANGERS <b>SF70</b> - SOFTENING LENS <b>LS70</b> - LINEAR SPREAD <b>HXB70</b> - BLACK HEXCELL LOUVER <b>EM</b> - EMERGENCY BATTERY <sup>5</sup>

Maximum 3 optical accessories  
See optical accessories page for more options

<sup>1</sup> 90+ CRI available up to 4000lm  
<sup>2</sup> 97+ CRI available up to 3000lm  
<sup>3</sup> Forward phase/Reverse phase driver available up to 2200lm and only in 120V  
<sup>4</sup> IC Housing available up to 2200lm  
<sup>5</sup> Emergency battery installed remotely by others. Not accessible through the inside of the fixture

### PERFORMANCE CHART (Per fixture head)

#### 80+ CRI (Based on 35K and 40° Beam Angle)

LUMEN OUTPUT	SYSTEM WATTS	DELIVERED LUMENS	EFFICACY LM/W
1000 LUMENS	10.0	921	91.8
1500 LUMENS	14.0	1289	91.8
2200 LUMENS	20.7	1896	91.8
3000 LUMENS	32.9	2578	78.3
4000 LUMENS	44.6	3345	75.0
5000 LUMENS	54.2	3932	72.6

#### 90+ CRI (Based on 35K and 40° Beam Angle)

LUMEN OUTPUT	SYSTEM WATTS	DELIVERED LUMENS	EFFICACY LM/W
1000 LUMENS	10.0	788	78.6
1500 LUMENS	16.0	1261	78.6
2200 LUMENS	24.8	1948	78.6
3000 LUMENS	32.9	2252	68.4
4000 LUMENS	44.6	2944	66.0
5000 LUMENS	N/A	N/A	N/A

#### 97+ CRI (Based on 35K and 40° Beam Angle)

LUMEN OUTPUT	SYSTEM WATTS	DELIVERED LUMENS	EFFICACY LM/W
1000 LUMENS	10.0	692	69.0
1500 LUMENS	16.0	1107	69.0
2200 LUMENS	24.8	1710	69.0
3000 LUMENS	32.9	2035	61.8
4000 LUMENS	N/A	N/A	N/A
5000 LUMENS	N/A	N/A	N/A

EDITION 01/19





**3G-RC2**

LIGHTING 2 LIGHT MADISON - TRIM & TRIMLESS

## TECHNICAL

### HOUSING

New construction and IC housing options available

Housing fabricated in cold rolled steel. Standard black powder coated finish

Maximum ceiling thickness of 1". Consult factory for modifications

All housing options designed to be easily converted in field to trim or trimless with minimal components

Housings are rated for #12 AWG, (4 in, 4 out), 90°C conductors and through branch wiring

### TRIM

Features a 3/4" removable trim assembly designed to conceal inner hardware

### TRIMLESS

Aluminum mudding flange features a unique reveal that emulates drywall

Integral aluminum blocking support provided to ensure fixture is properly secured within ceiling structure

### ADJUSTABILITY

Solid aluminum double gimbal with dual axis adjustability

Each double gimbal can be locked in place

### OPTICS

Regressed LED source for enhanced glare control

Proprietary anodized, aluminum reflectors are field replaceable

Available in 20°, 40°, and 60°

### ELECTRICAL

Standard 0-10V, 100-1% dimming and 0.9 power factor

Lutron EcoSystem and eldoLED Dali options available with 100-1% dimming

120V Forward Phase/Reverse Phase driver option with 100-1% dimming

Fixture is pre-wired, thermally protected, and rated for through branch wiring

Electrical enclosures easily accessible through fixture aperture

Emergency Battery: 90 minutes

### LED SYSTEM

Citizen LED module (field replaceable)

Color consistency < 2 SDCM

Standard (80+CRI). Optional (90+ and 97+CRI)

Available in 27K, 30K, 35K, and 40K

Average rated life of > 50,000 hours

5-year warranty

### MOUNTING

Trim fixture designed for use in drywall, wood, acoustic ceiling tiles, and other architectural ceiling materials

Trimless fixture designed for use in drywall, mud-in ceiling applications

Butterfly brackets compatible with 1/2" x 1/2" channel, 1/2", 5/8", 3/4" bar hanger, 1/2" EMT, and furring strips (supplied by others)

### LISTING

ETL listed and tested to UL standards. Suitable for dry and damp locations

### WARRANTY

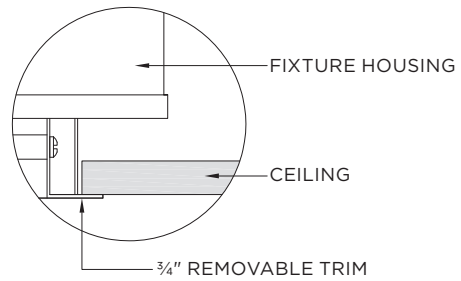
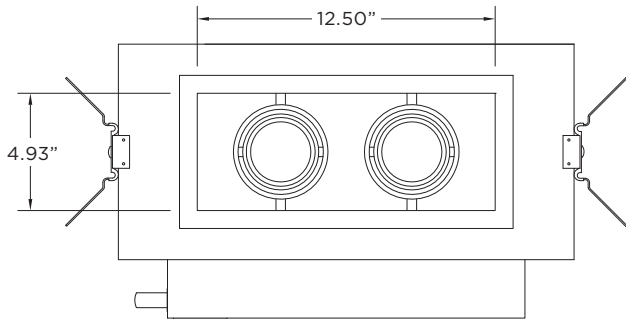
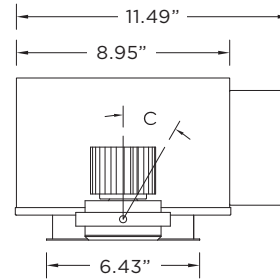
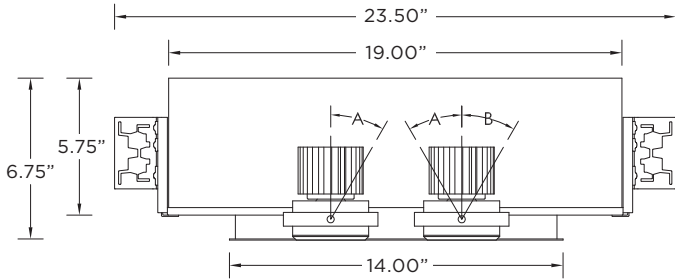
5 Year warranty on LED and drivers

Manufacturer 1-year warranty for defects in material and workmanship under normal use

Ambient temperature at fixture should not exceed 25°C

### TRIM HOUSING

- NC** - New Construction (Non-IC)
- IC** - IC Housing (2200lm max)
- CP** - Chicago Plenum Housing



### TRIMLESS HOUSING

- NC** - New Construction (Non-IC)
- IC** - IC Housing (2200lm max)
- CP** - Chicago Plenum Housing

