



3G-DL33RF

3.3" ROUND FIXED
TRIM & TRIMLESS



Small 3.3" high performance downlight
 Regressed LED source for enhanced glare control
 Lumen range of 1000lm to 3000lm (80+, 90+, and 97+ CRI options)
 Wet location option available
 Shallow housing available along with other housing options
 1% dimming standard with several driver options

ORDERING INFORMATION

PROJECT:	<input type="text"/>	TYPE:	<input type="text"/>
CATALOG #:	<input type="text"/>	DATE:	<input type="text"/>

CAT. NO	LUMEN OUTPUT	CRI	COLOR TEMP	BEAM ANGLE	VOLTAGE
3G-DL33RF	10 - 1000 LUMENS	S80 - 80+CRI (STANDARD)	27K - 2700K	40D - 40°	120 - 120V ²
	15 - 1500 LUMENS	H90 - 90+CRI	30K - 3000K	60D - 60°	277 - 277V
	22 - 2200 LUMENS	H97 - 97+CRI ¹	35K - 3500K		347 - 347V (0-10V ONLY)
	30 - 3000 LUMENS		40K - 4000K		

DRIVER	FLANGE TYPE	BEVELED INSERT	HOUSING TYPE	OPTIONS
DIM - 0-10V (STANDARD 100-1%)	WT - WHITE	WI - WHITE	RMD - REMODEL (NON-IC)	WL - WET LOCATION ⁴
DHL2 - LUTRON (ECO SYSTEM "H" 100-1%)	ST - SILVER	SI - SILVER	NCF - NEW CONSTRUCTION FRAME (NON-IC)	SB70 - SANDBLASTED LENS
DALI - DALI (100-1%)	BT - BLACK	BI - BLACK	SH - IC RATED SHALLOW ³ HOUSING	SF70 - SOFTENING LENS
LE - PHASE DIMMING ² (TRIAC/ELV, 100-1%, 120V ONLY)	XTR - TRIMLESS		ATSH - AIRTIGHT SHALLOW ³ HOUSING	LS70 - LINEAR SPREAD
D01 - 0-10V (100-0.1%)			CP - CHICAGO PLENUM ³	EM - EMERGENCY BATTERY ⁵

Maximum 1 optical accessory

¹ 97+ CRI available up to 2200lm
² Forward phase/Reverse phase driver available up to 2200lm and only in 120V
³ IC rated Shallow Housing, Airtight Shallow Housing, and Chicago Plenum available up to 2200lm
⁴ Wet location option provided standard with sealed softening lens
⁵ Emergency battery installed remotely by others. Not accessible through the inside of the fixture

PERFORMANCE CHART

80+ CRI (Based on 35K and 40° Beam Angle)				90+ CRI (Based on 35K and 40° Beam Angle)				97+ CRI (Based on 35K and 40° Beam Angle)			
LUMEN OUTPUT	SYSTEM WATTS	DELIVERED LUMENS	EFFICACY LM/W	LUMEN OUTPUT	SYSTEM WATTS	DELIVERED LUMENS	EFFICACY LM/W	LUMEN OUTPUT	SYSTEM WATTS	DELIVERED LUMENS	EFFICACY LM/W
1000 LUMENS	10.0	1027	102.4	1000 LUMENS	10.0	880	87.7	1000 LUMENS	10.0	772	77.0
1500 LUMENS	14.0	1438	102.4	1500 LUMENS	16.0	1407	87.7	1500 LUMENS	16.0	1236	77.0
2200 LUMENS	20.7	2115	102.4	2200 LUMENS	24.8	2173	87.7	2200 LUMENS	24.8	1908	77.0
3000 LUMENS	32.9	2976	90.4	3000 LUMENS	29.7	2329	78.3	3000 LUMENS	N/A	N/A	N/A

LUMEN OUTPUT ADJUSTMENT FACTORS: (27K=0.945) (30K=0.985) (35K=1.00) (40K=1.01)

EDITION 01/19

TECHNICAL**HOUSING**

Remodel, new construction frame, IC housing, and shallow housing options available

Maximum ceiling thickness of 1". Consult factory for modifications

All housing options designed to be easily converted in field to trim or trimless with minimal components

Housings are rated for #12 AWG, (4 in, 4 out), 90°C conductors and through branch wiring

BEVELED INSERT

3.3" aperture with regressed LED source for enhanced glare control

Machined aluminum beveled insert with powder coated finish

TRIM

Machined aluminum trim flange with powder coated finish and minimal 0.375" overlap

TRIMLESS

Mudding flange with integral blocking support installs flush with ceiling

OPTICS

Proprietary anodized, aluminum reflectors are field replaceable

Available in 40° and 60°

ELECTRICAL

Standard 0-10V, 100-1% dimming and 0.9 power factor

Lutron EcoSystem and eldoLED Dali options available with 100-1% dimming

120V Forward Phase/Reverse Phase driver option with 100-1% dimming

All drivers are integral and easily accessible through the aperture

Emergency Battery: 90 minutes (remote only)

LED SYSTEM

Citizen LED module (field replaceable)

Color consistency < 2 SDCM

Standard (80+CRI). Optional (90+ and 97+CRI)

Available in 27K, 30K, 35K, and 40K

Average rated life of > 50,000 hours

5-year warranty

MOUNTING

Trim fixture designed for use in drywall, wood, acoustic ceiling tiles, and other ceiling materials

Trimless fixture designed for use in drywall, mud-in ceiling applications

Recommended ceiling cut-out: (3 13/16" Ø) All housing options

All housing options ship standard with adjustable bar hangers

Bar hangers extend from 14" to 26" and can be cut in-field for narrow stud spacing

LISTING

ETL listed and tested to UL standards. Suitable for dry and damp locations

WARRANTY

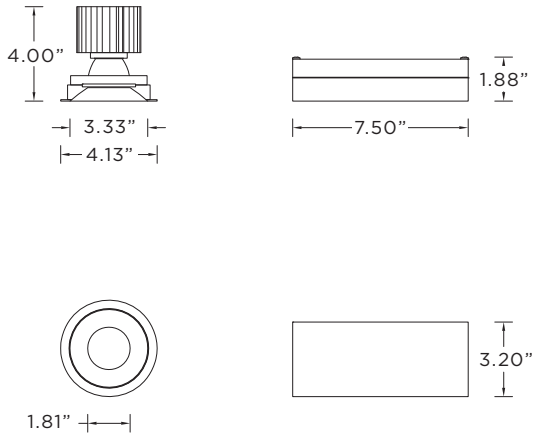
5 Year warranty on LED and drivers

Manufacturer 1-year warranty for defects in material and workmanship under normal use

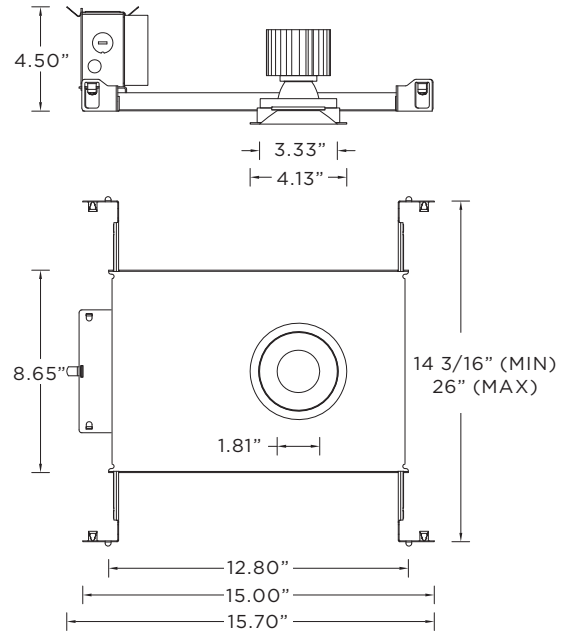
Ambient temperature at fixture should not exceed 25°C

TRIM HOUSING OPTIONS

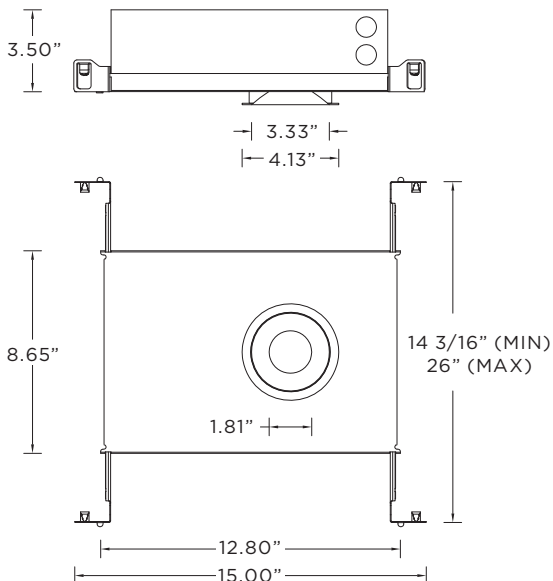
RMD - Remodel (Non-IC) (3000lm max)



NCF - New Construction Frame (Non-IC) (3000lm max)

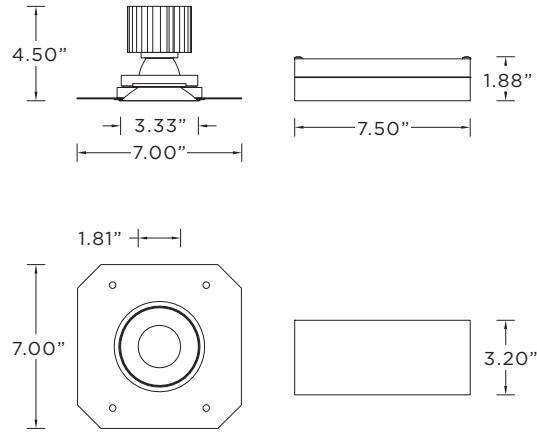


- SH** - IC Rated Shallow Housing (2200lm max)
- ATSH** - Airtight Shallow Housing (2200lm max)
- CP** - Chicago Plenum Housing (2200lm max)

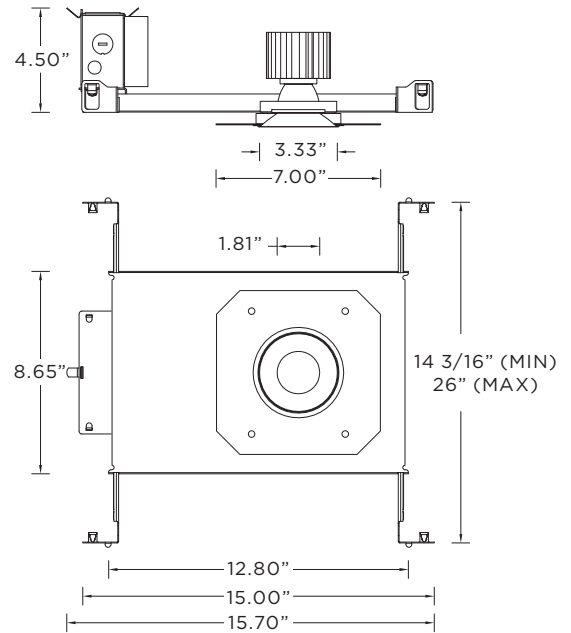


TRIMLESS HOUSING OPTIONS

RMD - Remodel (Non-IC) (3000lm max)



NCF - New Construction Frame (Non-IC) (3000lm max)



- SH** - IC Rated Shallow Housing (2200lm max)
- ATSH** - Airtight Shallow Housing (2200lm max)
- CP** - Chicago Plenum Housing (2200lm max)

