



3G-DL40SA

4.0" SQUARE ADJUSTABLE
TRIM & TRIMLESS



- 4.0" adjustable high performance downlight
- Hot aiming with 0°-40° lockable tilt and 362° lockable rotation
- Regressed LED source for enhanced glare control
- Lumen range of 1000lm to 4000lm (80+, 90+, and 97+ CRI options)
- Remodel housing available along with other housing options
- 1% dimming standard with several driver options

ORDERING INFORMATION

PROJECT:	<input type="text"/>	TYPE:	<input type="text"/>
CATALOG #:	<input type="text"/>	DATE:	<input type="text"/>

CAT. NO	LUMEN OUTPUT	CRI	COLOR TEMP	BEAM ANGLE	VOLTAGE
3G-DL40SA	10 - 1000 LUMENS	S80 - 80+CRI (STANDARD)	27K - 2700K	40D - 40°	120 - 120V ²
	15 - 1500 LUMENS	H90 - 90+CRI ¹	30K - 3000K	60D - 60°	277 - 277V
	22 - 2200 LUMENS	H97 - 97+CRI ¹	35K - 3500K		347 - 347V (0-10V ONLY)
	30 - 3000 LUMENS		40K - 4000K		
	40 - 4000 LUMENS				

DRIVER	FLANGE TYPE	BEVELED INSERT	HOUSING TYPE	OPTIONS
DIM - 0-10V (STANDARD 100-1%)	WT - WHITE	WI - WHITE	RMD - REMODEL (NON-IC)	BH - C-CHANNEL BAR HANGERS
DHL2 - LUTRON (ECO SYSTEM "H" 100-1%)	ST - SILVER	SI - SILVER	NCF - NEW CONSTRUCTION FRAME (NON-IC)	SB70 - SANDBLASTED LENS
DALI - DALI (100-1%)	BT - BLACK	BI - BLACK	IC - IC HOUSING ³	SF70 - SOFTENING LENS
LE - PHASE DIMMING ² (TRIAC/ELV, 100-1%, 120V ONLY)	XTR - TRIMLESS		CP - CHICAGO PLENUM	LS70 - LINEAR SPREAD
D01 - 0-10V (100-0.1%)				EM - EMERGENCY BATTERY ⁴

Maximum 1 optical accessory

¹ 90+ CRI and 97+ CRI available up to 3000lm
² Forward phase/Reverse phase driver available up to 2200lm and only in 120V
³ IC Housing available up to 2200lm
⁴ Emergency battery installed remotely by others. Not accessible through the inside of the fixture

PERFORMANCE CHART

80+ CRI (Based on 35K and 60° Beam Angle)				90+ CRI (Based on 35K and 60° Beam Angle)				97+ CRI (Based on 35K and 60° Beam Angle)			
LUMEN OUTPUT	SYSTEM WATTS	DELIVERED LUMENS	EFFICACY LM/W	LUMEN OUTPUT	SYSTEM WATTS	DELIVERED LUMENS	EFFICACY LM/W	LUMEN OUTPUT	SYSTEM WATTS	DELIVERED LUMENS	EFFICACY LM/W
1000 LUMENS	10.0	869	86.6	1000 LUMENS	14.0	1041	74.2	1000 LUMENS	14.0	914	65.1
1500 LUMENS	16.0	1390	86.6	1500 LUMENS	20.1	1488	74.2	1500 LUMENS	20.1	1306	65.1
2200 LUMENS	24.8	2146	86.6	2200 LUMENS	27.9	2067	74.2	2200 LUMENS	27.9	1815	65.1
3000 LUMENS	32.9	2441	74.2	3000 LUMENS	37.2	2420	65.1	3000 LUMENS	37.2	2167	58.3
4000 LUMENS	51.0	3319	65.1	4000 LUMENS	N/A	N/A	N/A	4000 LUMENS	N/A	N/A	N/A

LUMEN OUTPUT ADJUSTMENT FACTORS: (27K=0.945) (30K=0.985) (35K=1.00) (40K=1.01)

EDITION 01/19



TECHNICAL**HOUSING**

Remodel, new construction frame, and IC housing options available

Maximum ceiling thickness of 1". Consult factory for modifications

All housing options designed to be easily converted in field to trim or trimless with minimal components

Housings are rated for #12 AWG, (4 in, 4 out), 90°C conductors and through branch wiring

BEVELED INSERT

4.0" aperture with regressed LED source for enhanced glare control

Machined aluminum beveled insert with powder coated finish

TRIM

Machined aluminum trim flange with powder coated finish and minimal 0.375" overlap

TRIMLESS

Mudding flange with integral blocking support installs flush with ceiling

ADJUSTABILITY

Proprietary hot-aiming mechanism with sliding center beam optimization

0°-40° lockable tilt and 362° lockable rotation with Phillips screwdriver

OPTICS

Proprietary anodized, aluminum reflectors are field replaceable

Available in 40° and 60°

ELECTRICAL

Standard 0-10V, 100-1% dimming and 0.9 power factor

Lutron EcoSystem and eldoLED Dali options available with 100-1% dimming

120V Forward Phase/Reverse Phase driver option with 100-1% dimming

All drivers are integral and easily accessible through the aperture

Emergency Battery: 90 minutes (remote only)

LED SYSTEM

Citizen LED module (field replaceable)

Color consistency < 2 SDCM

Standard (80+CRI). Optional (90+ and 97+CRI)

Available in 27K, 30K, 35K, and 40K

Average rated life of > 50,000 hours

5-year warranty

MOUNTING

Trim fixture designed for use in drywall, wood, acoustic ceiling tiles, and other ceiling materials

Trimless fixture designed for use in drywall, mud-in ceiling applications

Recommended ceiling cut-out: (4 5/8" x 4 5/8") All housing options

New construction frame ships standard with adjustable bar hangers

Bar hangers extend from 14" to 26" and can be cut in-field for narrow stud spacing

Optional C-channel bar hangers available for IC housing and Chicago plenum housing options

LISTING

ETL listed and tested to UL standards. Suitable for dry and damp locations

WARRANTY

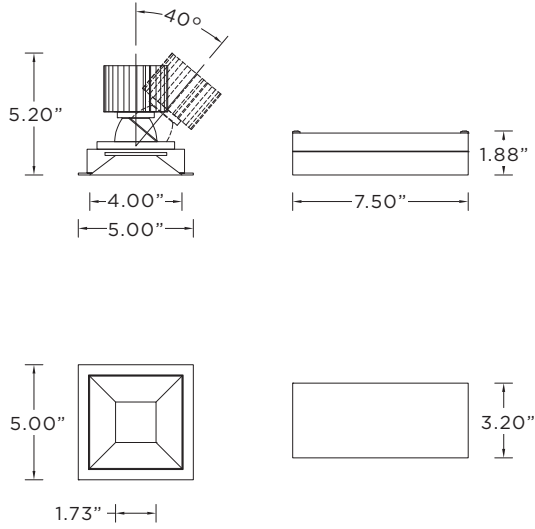
5 Year warranty on LED and drivers

Manufacturer 1-year warranty for defects in material and workmanship under normal use

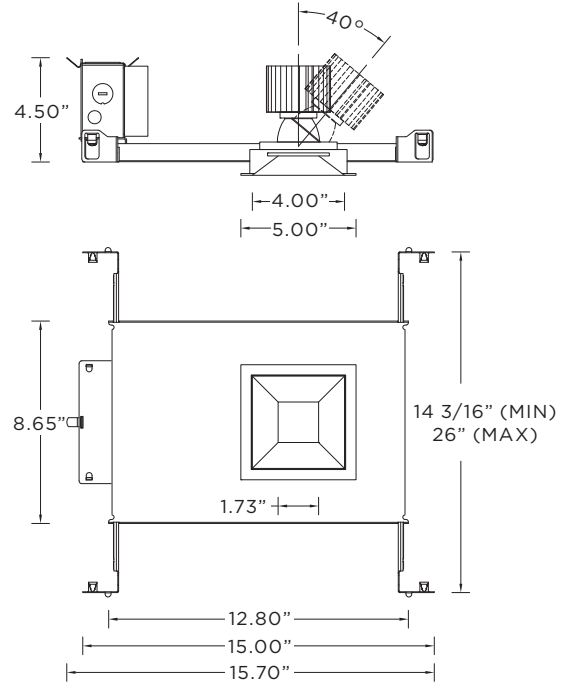
Ambient temperature at fixture should not exceed 25°C

TRIM HOUSING OPTIONS

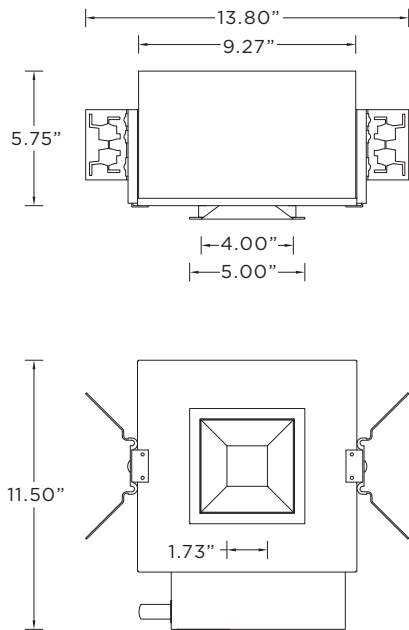
RMD - Remodel (Non-IC) (4000lm max)



NCF - New Construction Frame (Non-IC) (4000lm max)

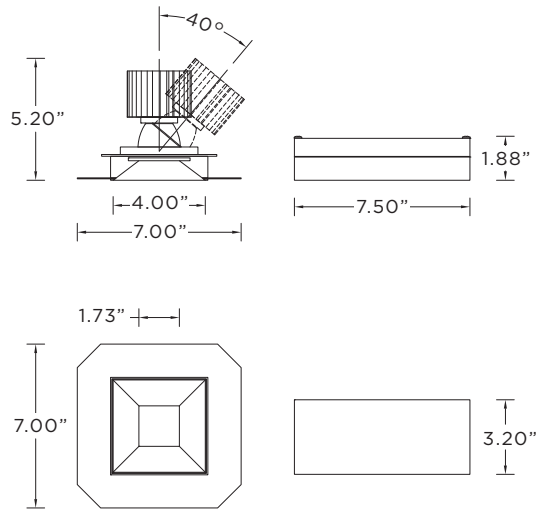


IC - IC Housing (2200lm max)
CP - Chicago Plenum Housing (4000lm max)

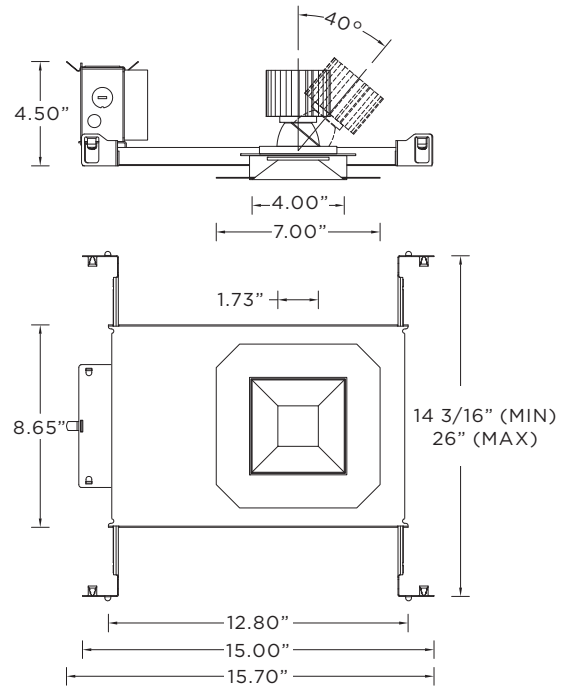


TRIMLESS HOUSING OPTIONS

RMD - Remodel (Non-IC) (4000lm max)



NCF - New Construction Frame (Non-IC) (4000lm max)



IC - IC Housing (2200lm max)
CP - Chicago Plenum Housing (4000lm max)

