



3G-DL40SWW

4.0" SQUARE WALL WASH
TRIM & TRIMLESS



- 4.0" high performance wall wash downlight
- Regressed LED source for enhanced glare control
- Proprietary wall wash optic and lens
- Lumen range of 1000lm to 3000lm (80+, 90+, and 97+ CRI options)
- Remodel housing available along with other housing options
- 1% dimming standard with several driver options

ORDERING INFORMATION

PROJECT:	<input type="text"/>	TYPE:	<input type="text"/>
CATALOG #:	<input type="text"/>	DATE:	<input type="text"/>

CAT. NO	LUMEN OUTPUT	CRI	COLOR TEMP	BEAM ANGLE	VOLTAGE
3G-DL40SWW	10 - 1000 LUMENS	S80 - 80+CRI (STANDARD)	27K - 2700K	WW - WALL WASH	120 - 120V ²
	15 - 1500 LUMENS	H90 - 90+CRI ¹	30K - 3000K		277 - 277V
	22 - 2200 LUMENS	H97 - 97+CRI ¹	35K - 3500K		347 - 347V (0-10V ONLY)
	30 - 3000 LUMENS		40K - 4000K		

DRIVER	FLANGE TYPE	BEVELED INSERT	HOUSING TYPE	OPTIONS
DIM - 0-10V (STANDARD 100-1%)	WT - WHITE	WI - WHITE	RMD - REMODEL (NON-IC)	BH - C-CHANNEL BAR HANGERS
DHL2 - LUTRON (ECO SYSTEM "H" 100-1%)	ST - SILVER	SI - SILVER	NCF - NEW CONSTRUCTION (NON-IC)	EM - EMERGENCY BATTERY ⁴
DALI - DALI (100-1%)	BT - BLACK	BI - BLACK	IC - IC HOUSING ³	
LE - PHASE DIMMING ² (TRIAC/ELV, 100-1%, 120V ONLY)	XTR - TRIMLESS		CP - CHICAGO PLENUM	
D01 - 0-10V (100-0.1%)				

¹ 90+ CRI and 97+ CRI available up to 2200lm
² Forward phase/Reverse phase driver available up to 2200lm and only in 120V
³ IC Housing available up to 2200lm
⁴ Emergency battery installed remotely by others. Not accessible through the inside of the fixture

PERFORMANCE CHART

80+ CRI (Based on 35K with Wall Wash Optic) **90+ CRI** (Based on 35K with Wall Wash Optic) **97+ CRI** (Based on 35K with Wall Wash Optic)

LUMEN OUTPUT	SYSTEM WATTS	DELIVERED LUMENS	EFFICACY LM/W	LUMEN OUTPUT	SYSTEM WATTS	DELIVERED LUMENS	EFFICACY LM/W	LUMEN OUTPUT	SYSTEM WATTS	DELIVERED LUMENS	EFFICACY LM/W
1000 LUMENS	10.0	663	66.1	1000 LUMENS	14.0	795	56.6	1000 LUMENS	14.0	698	49.7
1500 LUMENS	16.0	1061	66.1	1500 LUMENS	20.1	1136	56.6	1500 LUMENS	20.1	997	49.7
2200 LUMENS	24.8	1639	66.1	2200 LUMENS	27.9	1578	56.6	2200 LUMENS	27.9	1386	49.7
3000 LUMENS	32.9	1921	58.3	3000 LUMENS	N/A	N/A	N/A	3000 LUMENS	N/A	N/A	N/A

LUMEN OUTPUT ADJUSTMENT FACTORS: (27K=0.945) (30K=0.985) (35K=1.00) (40K=1.01)

EDITION 01/19



TECHNICAL**HOUSING**

Remodel, new construction frame, and IC housing options available

Maximum ceiling thickness of 1". Consult factory for modifications

All housing options designed to be easily converted in field to trim or trimless with minimal components

Housings are rated for #12 AWG, (4 in, 4 out), 90°C conductors and through branch wiring

BEVELED INSERT

4.0" aperture with regressed LED source for enhanced glare control

Machined aluminum beveled insert with powder coated finish

TRIM

Machined aluminum trim flange with powder coated finish and minimal 0.375" overlap

TRIMLESS

Mudding flange with integral blocking support installs flush with ceiling

OPTICS

Proprietary wall wash optic

Asymmetrical lens provides uniformity and smooth illumination down the wall

ELECTRICAL

Standard 0-10V, 100-1% dimming and 0.9 power factor

Lutron EcoSystem and eldoLED Dali options available with 100-1% dimming

120V Forward Phase/Reverse Phase driver option with 100-1% dimming

All drivers are integral and easily accessible through the aperture

Emergency Battery: 90 minutes (remote only)

LED SYSTEM

Citizen LED module (field replaceable)

Color consistency < 2 SDCM

Standard (80+CRI). Optional (90+ and 97+CRI)

Available in 27K, 30K, 35K, and 40K

Average rated life of > 50,000 hours

5-year warranty

MOUNTING

Trim fixture designed for use in drywall, wood, acoustic ceiling tiles, and other ceiling materials

Trimless fixture designed for use in drywall, mud-in ceiling applications

Recommended ceiling cut-out: (4 5/8" x 4 5/8") All housing options

New construction frame ships standard with adjustable bar hangers

Bar hangers extend from 14" to 26" and can be cut in-field for narrow stud spacing

Optional C-channel bar hangers available for IC housing and Chicago plenum housing options

LISTING

ETL listed and tested to UL standards. Suitable for dry and damp locations

WARRANTY

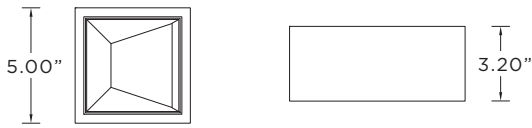
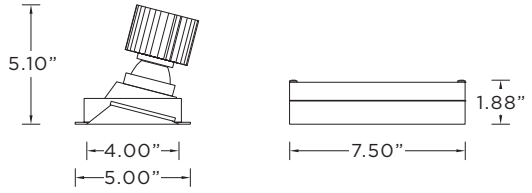
5 Year warranty on LED and drivers

Manufacturer 1-year warranty for defects in material and workmanship under normal use

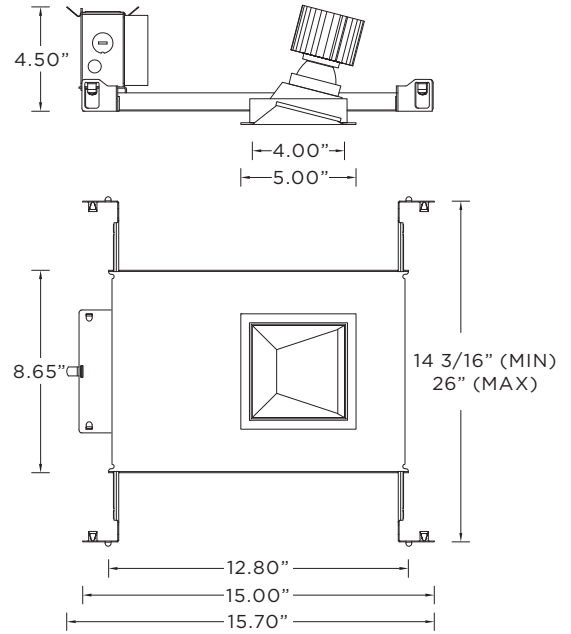
Ambient temperature at fixture should not exceed 25°C

TRIM HOUSING OPTIONS

RMD - Remodel (Non-IC) (3000lm max)

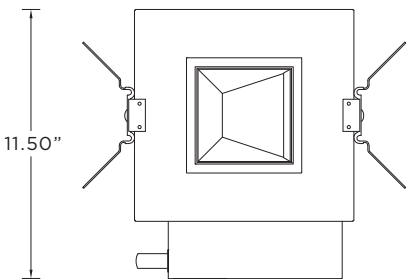
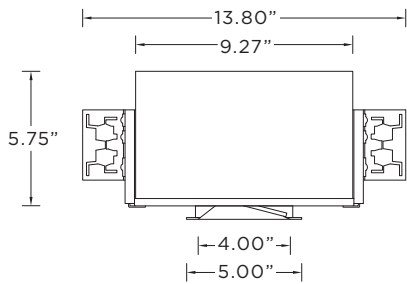


NCF - New Construction Frame (Non-IC) (3000lm max)



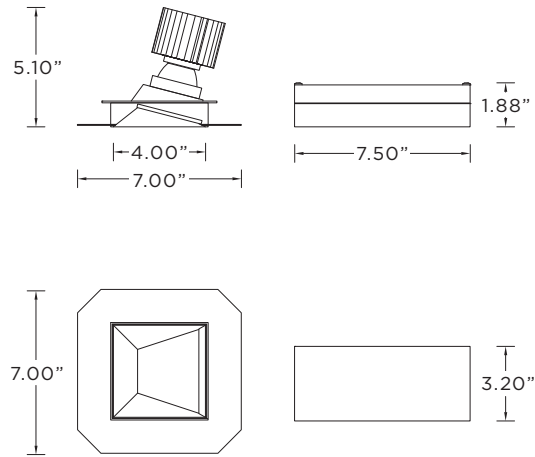
IC - IC Housing (2200lm max)

CP - Chicago Plenum Housing (3000lm max)

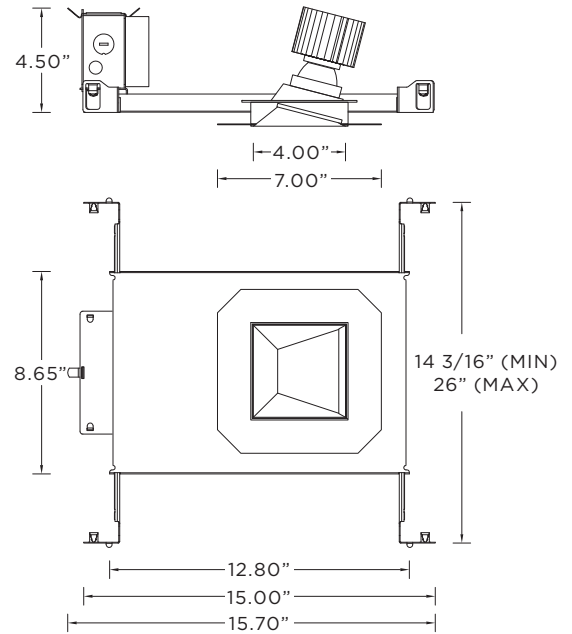


TRIMLESS HOUSING OPTIONS

RMD - Remodel (Non-IC) (3000lm max)



NCF - New Construction Frame (Non-IC) (3000lm max)



IC - IC Housing (2200lm max)

CP - Chicago Plenum Housing (3000lm max)

