

3G LIGHTING

3G-2RLI

2" RECESSED LINEAR
WALL TO CEILING



- Narrow 2" aperture with one piece extruded aluminum housing
- Seamless wall to ceiling illumination
- Proprietary alignment mechanism
- Suitable for drywall, wood, and grid ceiling applications
- Extruded acrylic lens available in flush, 1" and 2" drop lens options
- 1% dimming standard with several driver options

ORDERING INFORMATION

PROJECT:	<input type="text"/>	TYPE:	<input type="text"/>
CATALOG #:	<input type="text"/>	DATE:	<input type="text"/>

CAT. NO	LED SYSTEM	COLOR TEMP	VOLTAGE	DRIVER
3G-2RLI	L1 - LOW OUTPUT	27K - 2700K	UNV - 120V-277V	DIM - 0-10V (STANDARD 100-1%)
	L2 - STANDARD OUTPUT	30K - 3000K	347 - 347V (0-10V ONLY)	DHL2 - LUTRON (ECO SYSTEM "H" 100-1%)
	L4 - HIGH OUTPUT	35K - 3500K		DALI - DALI (100-1%)
		40K - 4000K		D01 - 0-10V (100-0.1%)

FLANGE TYPE (WALL)	FLANGE TYPE (CEILING)	LENS OPTIONS	OPTIONS	LENGTH (FEET)
XTRW - TRIMLESS	XTRC - TRIMLESS	FL - FLUSH	EM - INTEGRAL EMERGENCY BATTERY (4' SECTION)	W ___' x C ___' (WALL TO CEILING)*
GXW - FLANGELESS	GXC - FLANGELESS	DD1 - 1" DROP LENS	CP - CHICAGO PLENUM	W ___' x C ___' x W ___' (WALL TO CEILING TO WALL)
	GC1 - 9/16 LAYIN	DD2 - 2" DROP LENS		
	GC1S - 9/16 TEGULAR			
	GC2 - 15/16 LAYIN			
	GC2S - 15/16 TEGULAR			
	GC3 - 9/16 SLOT TEE TEGULAR			

*Available in 1' increments.

PERFORMANCE CHART (Based on 3500K, 4' length)

LENS OPTIONS	LED SYSTEM	SYSTEM WATTS (PER FT)	DELIVERED LUMENS (PER FT)	EFFICACY (LM/W)
FLUSH	L1 - LOW OUTPUT	3.3	334	100
	L2 - STANDARD OUTPUT	5.1	507	99
	L4 - HIGH OUTPUT	8.8	837	96
1" DROP	L1 - LOW OUTPUT	3.3	360	108
	L2 - STANDARD OUTPUT	5.1	545	107
	L4 - HIGH OUTPUT	8.8	900	103
2" DROP	L1 - LOW OUTPUT	3.3	368	110
	L2 - STANDARD OUTPUT	5.1	557	109
	L4 - HIGH OUTPUT	8.8	920	105

LUMEN OUTPUT ADJUSTMENT FACTORS: (27K=0.94) (30K=0.97) (35K=1.00) (40K=1.01)

EDITION 01/19





3G-2RLI

LIGHTING 2" RECESSED LINEAR - WALL TO CEILING

TECHNICAL

HOUSING

- Extruded aluminum housing with narrow 2" aperture
- Wall to ceiling configurations available in 1' increments
- Trimless model features a satin coat mudding flange
- 24 gauge LED reflector with high reflectance white powder coated finish
- Extruded acrylic lens with a satin finish designed for optimal performance and glare control
- Lens options available in flush, 1" drop and 2" drop
- Standard polyester powder coated matte white finish

ELECTRICAL

- Standard 0-10V, 100-1% dimming and 0.9 power factor
- Standard 120V-277V universal voltage drivers. Optional 347V 0-10V driver
- Lutron EcoSystem and eldoLED Dali options available with 100-1% dimming
- All driver are integral and easily accessible through the aperture
- Integral Emergency Battery: 90 minutes

LED SYSTEM

- Proprietary LED system
- Color consistency < 3 SDCM
- Standard (80+CRI)
- Available in 27K, 30K, 35K, and 40K
- Average rated life of > 50,000 hours
- 5-year warranty

MOUNTING

- Proprietary alignment mechanism for seamless wall to ceiling illumination
- Suitable for drywall and wood ceilings (see mounting details)
- Suitable for various architectural ceilings (see mounting details)

LISTING

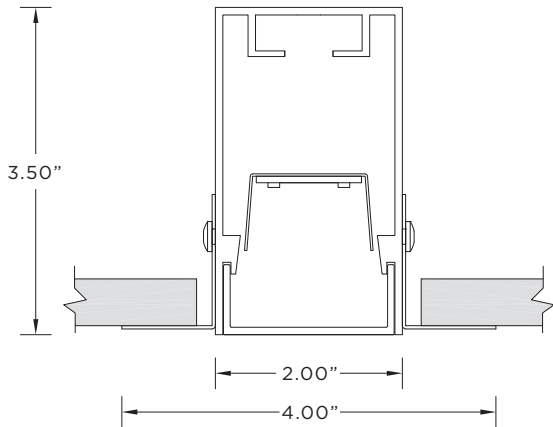
- ETL listed and tested to UL standards. Suitable for dry and damp locations

WARRANTY

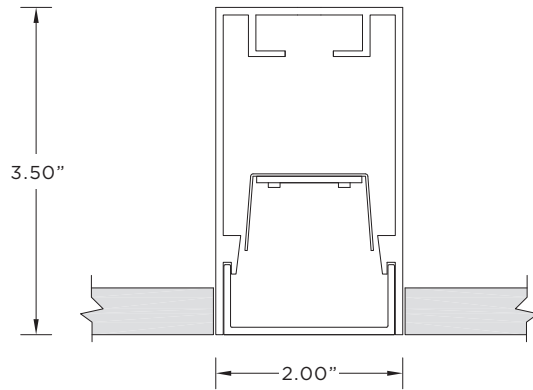
- 5 Year warranty on LED and drivers
- Manufacturer 1-year warranty for defects in material and workmanship under normal use
- Ambient temperature at fixture should not exceed 25°C

DRAWINGS AND DIMENSIONS

XTRW - TRIMLESS

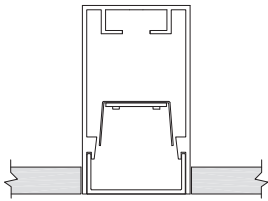


GXW - FLANGELESS

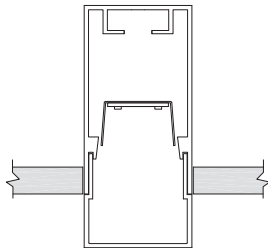


LENS OPTIONS

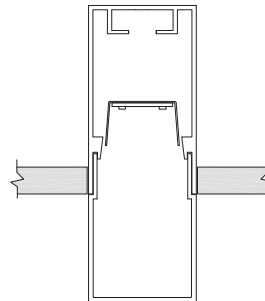
FL - FLUSH LENS



DD1 - 1" DROP LENS

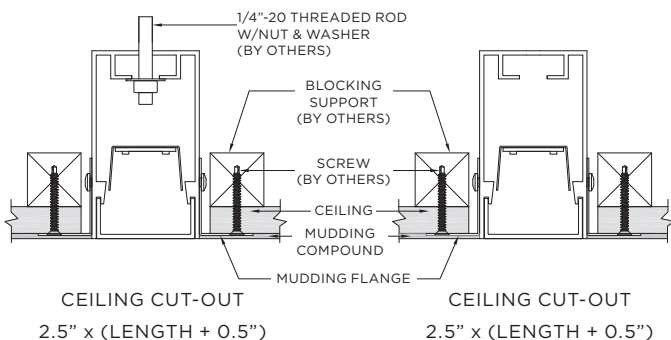


DD2 - 2" DROP LENS



MOUNTING

CEILING-TRIMLESS



CEILING-FLANGELESS

